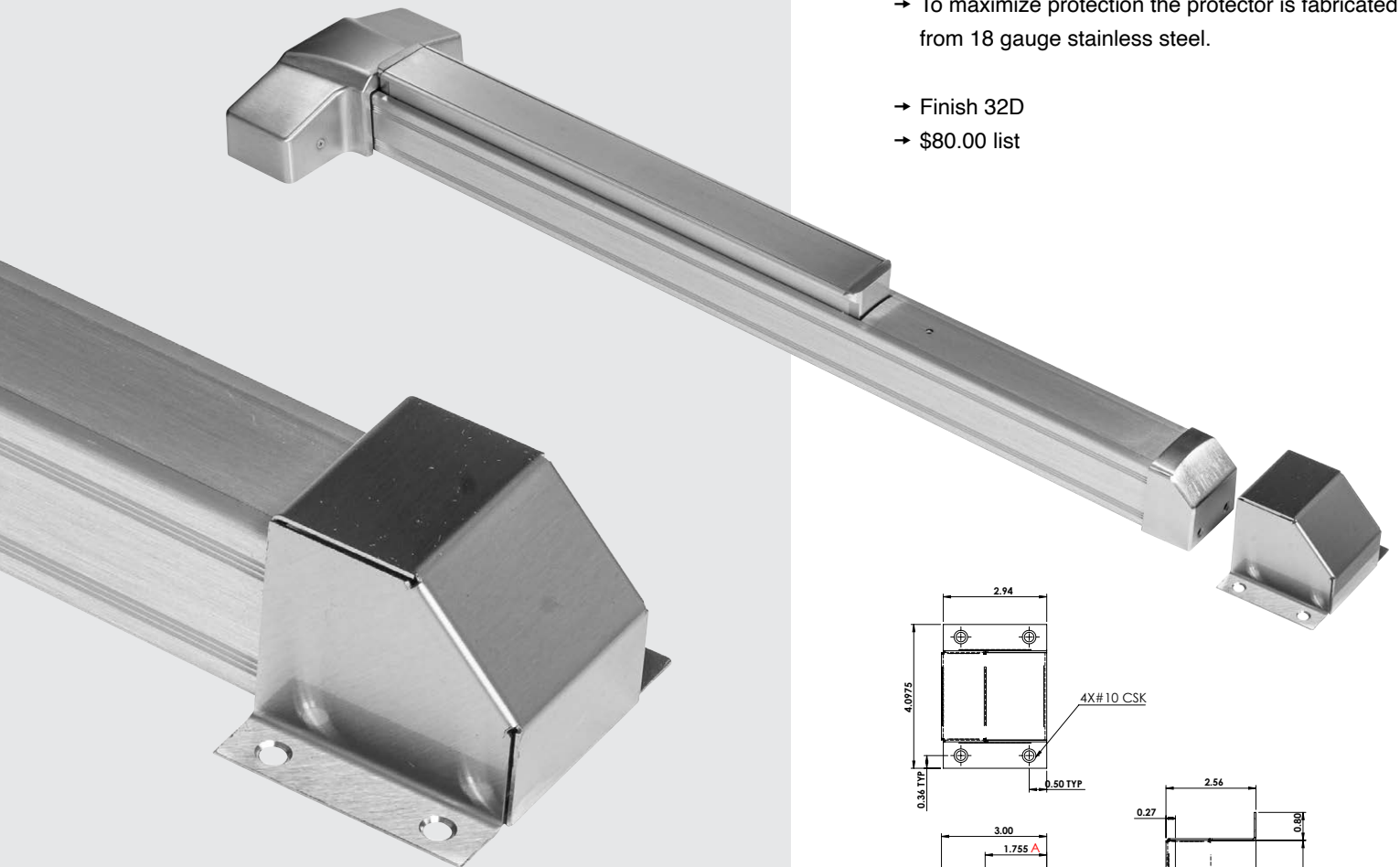


GSH END CAP PROTECTOR



Features

- Designed to protect vulnerable and expensive exit device end caps from damage
- This End Cap Protector is designed to fit over Lawrence Hardware LH8500/8600 narrow stile and LH8700/8800 wide stile exit devices.
- The end cap protector also fits over Von Duprin 33/35 and 98/99, Monarch, Sargent and Yale Devices
- The protector is 3" overall in length with low profile of 2-1/2"
- To maximize protection the protector is fabricated from 18 gauge stainless steel.

- Finish 32D
- \$80.00 list

