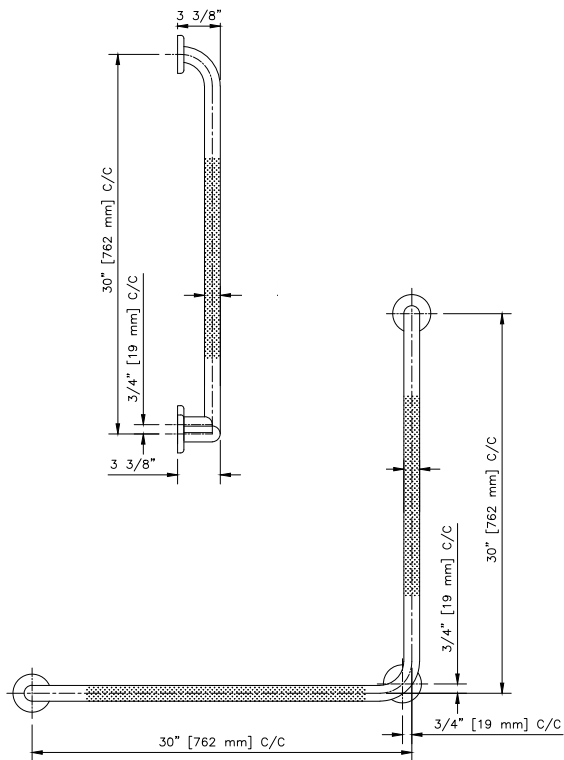


30"X30" – "L" SHAPE GRAB BAR C/W POST



Features:

- Easy to specify non Handed Bar
- Meets New Building Code
- Corner mounted post for secure mounting
- Bars fabricated from 18 gauge stainless steel tubing
- Flanges Constructed of 11 gauge stainless steel
- All bars are heliarc welded for maximum strength
- GSH C12C-51-P 90 Degree Angle 1-1/4" O.D. Concealed MTG with Peened Grip
- GSH C12C-61-P 90 Degree Angle 1-1/2" O.D. Concealed MTG with Peened Grip



Head Office: 676 Petrolia Road, Toronto, ON, Canada M3J 2V2

1.800.2671236 | info@galleryspecialty.com

All product specifications are subject to change.

Prices subject to change without notice.