

# Your Partner in Success



**Gallery**<sup>TM</sup>  
specialty hardware

**Commercial Product Catalogue 2026**

## TABLE OF CONTENTS

Overview .....	6
Description Of Finishes .....	8
Mountings And Fasteners .....	9

# Section A

## MISCELLANEOUS DOOR HARDWARE

GSH 1 Ball Catch .....	11	GSH 74 Solid Brass 4" Strapless Surface Bolt .....	38	GSH 358C Coat Hook Surface Mounting.....	75
GSH 2 Roller Catch .....	12	GSH 75 Solid Brass 5" Strapless Surface Bolt .....	39	GSH 359 Coat Hook.....	76
GSH 9 Hinge Filler Plate .....	13	GSH 76 Solid Brass 6" Strapless Surface Bolt .....	40	GSH 360A Cabinet Pull 6" O/A 4" C/C 1/2" Diameter .....	77
GSH 11 Door Guard.....	14	GSH 131-2 Rod Flange 1 1/4" I.D.....	41	GSH 360B Cabinet Pull 8" O/A 6" C/C 1/2" Diameter .....	78
GSH 14 Flush Bolt 4" .....	15	GSH 137-2 Hang Rod 1 1/4" o.D. X .049 Wall .....	42	GSH 360C Cabinet Pull 12" O/A 10" C/C 1/2" Diameter .....	79
GSH 15 Flush Bolt 6" .....	16	GSH 199 Door Viewer 160 Degree .....	43	GSH 360D Cabinet Pull 24" O/A 22" C/C 1/2" Diameter .....	80
GSH 16 Window Lift .....	17	GSH 199B Door Viewer 180 Degree .....	44	GSH 360E Cabinet Pull 48" O/A 46" C/C 1/2" Diameter .....	81
GSH 18 Window Lock .....	18	GSH 200/200B/200S Low rise Door Stop .....	45	GSH 390 Coat Hook Single Groove .....	82
GSH19 Flush Pull .....	19	GSH 201 1/2" Riser .....	46	GSH 391 Coat Hook Single Groove .....	83
GSH 20 Sliding Door Edge Pull .....	20	GSH 209 High & Low Rise, Spring Loaded Stop.....	47	GSH 392 Coat Hook Double Groove.....	84
GSH 21 Elbow Catch .....	21	GSH 211.....	48	GSH 306B Coat Hook .....	85
GSH 22 T-Strike Cut Out.....	22	GSH 210 Decorative Floor Stop "non-directional".....	49	GSH 307 Coat Hook (Double) .....	86
GSH 22 T-Strike Blank .....	23	GSH 218/218B/218S High Rise Floor Stop.....	50	GSH 307B Coat Hook (Single).....	87
GSH 23 ANSI Blank Strike Short Lip .....	24	GSH 240 Wall Stop .....	51	GSH 308B Hat and Coat Hook Concealed Mounting .....	88
GSH 23 ANSI Blank Strike.....	25	GSH 240B Wall Stop .....	52	GSH 308A Hat and Coat Hook Surface Mounting .....	89
GSH 23 CFL ANSI Cut for Latch .....	26	GSH 250 Wall Stop .....	53	GSH 309 Coat Hook (Double) .....	90
GSH 25/25A-1 Steel Astragal 1-1/2" Wide .....	27	GSH 250B Wall Stop .....	54	GSH 309B Coat Hook (Single) .....	91
GSH 25/25A-2 Steel Astragal 2" Wide .....	28	GSH 270X Floor Stop Solid Brass .....	55	GSH 310 Coat Hook (Double) .....	92
GSH 26 Flush Bolt Blank .....	29	GSH 270HX Floor Stop Solid Brass with Hold Open .....	56	GSH 320B Coat Hook (Single) .....	93
GSH 27 Mortise Lock Face .....	30	GSH 272 Floor Stop Solid Brass .....	57	GSH 311 Hat and Coat Hook .....	94
GSH 28 Blank Latch Front .....	31	GSH 272H Floor Stop Solid Brass with Hold Open.....	58	GSH 317 Cabinet Pull 3/4" D/A. 1 1/4" Long .....	95
GSH 29 Blank Latch Front .....	32	GSH 273 Floor Stop Solid Brass.....	59	GSH 340 Coat Hook.....	96
GSH 70 T/B Surface Bolt C/W Top and Bottom Strike .....	33	GSH 273H Floor Stop Solid Brass with Hold Open.....	60	GSH 341 Coat Hook .....	97
GSH 72 Dutch Bolt 8" .....	34	GSH 280A Heavy Duty Floor Stop.....	61	GSH 342 Coat Hook.....	98
GSH 72 Dutch Bolt 12".....	35	GSH 280AH Heavy Duty Floor Stop with Hold Open .....	62	GSH 343 Coat Hook (Double).....	99
GSH 72 Dutch Bolt 24" .....	36	GSH 280B Heavy Duty Floor Stop.....	63	GSH 343B Coat Hook (Single).....	100
GSH 73 Solid Brass 3" Strapless Surface Bolt .....	37	GSH 280BH Heavy Duty Floor Stop with Hold Open .....	64	GSH 344 Coat Hook.....	101
		GSH 281 Heavy Duty Floor Stop .....	65	GSH 345 Coat Hook.....	102
		GSH 281H Heavy Duty Floor Stop with Hold Open.....	66	GSH 401/401 UL Extension Flush Bolt.....	103
		GSH 282 Heavy Duty Prison Stop .....	67	GSH 403 Adjustable Roller Latch .....	104
		GSH 289A/289B Door Holder-Solid Brass.....	68	GSH 404H Roller Latch.....	105
		GSH 291 3" Base Board Stop.....	69	GSH 404HS Roller Latch C/W Stainless Roller .....	106
		GSH 299 Emergency Stop .....	70	GSH 404SO Strike only .....	107
		GSH 320A Coat Hook.....	71	GSH 405H Roller Latch C/W Strike .....	108
		GSH 320B Coat Hook .....	72	GSH 405HS Roller Latch C/W Stainless Roller .....	109
		GSH 358A Coat Hook Con. MTG. C/W with Bumper .....	73	GSH 405SO Strike only .....	110
		GSH 358B Coat Hook Concealed Mounting.....	74	GSH 406H Roller Latch C/W Strike .....	111

GSH 406HS ROLLER LATCH C/W STAINLESS ROLLER . . . . .	112
GSH 406SO Strike only . . . . .	113
GSH 407H Roller Latch C/W Strike . . . . .	114
GSH 407HS Roller Latch C/W Stainless Roller . . . . .	115
GSH 407SO Strike only . . . . .	116
GSH 410 / 412 Dust Proof Strike and Plate . . . . .	117
GSH 413 Rabbeted Flush Bolt Adapter . . . . .	118
GSH 414/415 Squash Court/Drop Ring Pull . . . . .	119
GSH 430 Decorative Floor Stop "90 Degree". . . . .	120
GSH 450 Lavatory Latch . . . . .	121
GSH 935 Drawer Pull 3 1/2" . . . . .	122
GSH 945 Drawer Pull 4 1/2" . . . . .	123
GSH 3030 Solid Brass Extruded Hinge 3" x 3" . . . . .	124
GSH 3535 Solid Brass Extruded Hinge 3.5" X 3.5" . . . . .	125
GSH 4040 Solid Brass Extruded Hinge 4" x 4" . . . . .	126
GSH 4040 BB Solid Brass Hinge 4" x 4" Ball Bearing. . . . .	127
GSH 4540 BB Solid Brass Hinge 4.5" x 4" Ball Bearing . . . . .	128
GSH 4545 Solid Brass Extruded Hinge 4.5" x 4.5" . . . . .	129
GSH 4545 BB Solid Brass Hinge 4.5" x 4.5" BB. . . . .	130
GSH 5050 BB Solid Brass Hinge 5" x 5" BB. . . . .	131
Ball Tips (BF) . . . . .	132
Steeple Tips (SF) . . . . .	133
Acorn Tips (AKF) . . . . .	134
Urn Tips (UF) . . . . .	135
Sign #102 6" x 6" Picto Woman . . . . .	136
Sign #103 6" x 6" Picto Man . . . . .	137
Sign #104 6" x 6" Handicap Logo . . . . .	138
Sign #105 6" x 6" x Picto Man / Woman . . . . .	139
Sign #106 6" x 6" x Picto Man / Woman / Handicap . . . . .	140
Sign #107 6" x 6" Picto Woman . . . . .	141
Sign #108 6" x 6" Picto Man . . . . .	142
Sign #109 6" x 6" Handicap Logo . . . . .	143
Sign #110 6" x 6" x Picto Man / Woman . . . . .	144
Sign #111 6" x 6" x Picto Man/Woman/Handicap . . . . .	145
Sign #112 6" x 6" Picto Woman . . . . .	146
Sign #113 6" x 6" Picto Man . . . . .	147
Sign #114 6" x 6" Picto Handicap Logo . . . . .	148

Sign #115 6" x 6" Picto Man/Woman . . . . .	149
Sign #116 6" x 6" x Picto Man/Woman/Handicap . . . . .	150

## Section B

### DOOR PULLS

GSH AF-7 Straight Pull . . . . .	152
GSH AF-8 Offset Pull . . . . .	153
GSH AF-14 Straight Pull . . . . .	154
GSH AF-15 Straight Pull . . . . .	155
GSH 105 Door Pull . . . . .	156
GSH 106 Door Pull . . . . .	157
GSH 111 Door Pull . . . . .	158
GSH 119 Door Pull . . . . .	159
GSH 164 Offset Ladder Pull . . . . .	160
GSH 165 Offset Ladder Pull . . . . .	161
GSH 166 Straight Ladder Pull . . . . .	162
GSH 167 Straight Ladder Pull . . . . .	163
GSH 168 "C" Shape Pull 8 1/2" C/C . . . . .	164
GSH 169 "C" Shape Pull 12" C/C . . . . .	165
GSH 170 "C" Shape Pull 14" C/C . . . . .	166
GSH 171 "C" Shape Pull 9" C/C . . . . .	167
GSH 173 "C" Shape Pull 6 1/2" C/C . . . . .	168
GSH 174 "C" Shape Pull 5" C/C . . . . .	169
GSH 181 Offset Pull 12" C/C . . . . .	170
GSH 900 Cast Pull 7 1/2" O/A . . . . .	171
GSH 936 Hospital Pull . . . . .	172
GSH 950 Flush Pull . . . . .	173
GSH 955 Flush Pull . . . . .	174
GSH 960 Flush Pull . . . . .	175
GSH 961 Flush Pull . . . . .	176
GSH 980 Cylinder Pull 1 1/4" DIA Hole . . . . .	177
GSH 980B Cylinder Pull 1 1/2" DIA Hole . . . . .	178
GSH 981 Cylinder Pull 2 1/8" DIA Hole . . . . .	179
GSH 1007 7"-1009 9"-1012 12" . . . . .	180
GSH 1107 7"-1109 9"-1112 12" C/W 1 1/2" X 3" BP . . . . .	181
GSH 1207 7"-1209 9"-1212 12" C/W 2" DIA BP . . . . .	182

GSH 1207 7"-1209 9"-1212 12" C/W BP . . . . .	183
GSH 1907 7"-1909 9"-1912 12" C/W BP . . . . .	184
GSH 1180 - (1, 2, 3 or 4) 12" C/C . . . . .	185
GSH 1181 - (1, 2, 3 or 4) 12" C/C C/W 2" DIA Roses . . . . .	186
GSH 1182 - (1, 2, 3 or 4) 12" C/C C/W Plate . . . . .	187
GSH 1184 - (1, 2, 3 or 4) 12" C/C C/W 1 1/4" Washers . . . . .	188
GSH 1185 - (1, 2, 3 or 4) 12" C/C C/W Plate . . . . .	189
GSH 4007 7"-4009 9"-4012 12" (1, 2, 3 or 4) . . . . .	190
GSH 4107 7"-4109 9"-4112 12" C/W 1-1/4 Washers . . . . .	191
GSH 4207 7"-4209 9"-4212 12" C/W 2" Washers . . . . .	192
GSH 4307 7"-4309 9"-4312 12" C/W Narrow Plate . . . . .	193
GSH 4607 7"-4609 9"-4612 12" C/W Plate . . . . .	194
GSH 5000 - Push Bar or Long Door Pull . . . . .	195
GSH 6012 12" C/C Standard . . . . .	196
GSH 2200H Hospital Pull C/W Round Rose . . . . .	197
GSH 2300H Hospital Pull C/W Square Back Plate . . . . .	198
GSH 2616H 4X16-2620H 4X20 Hospital Push/ Pull . . . . .	199
GSH 2633 4X16 Hospital Push/ Pull . . . . .	200
GSH 130A 17 1/2 C-shape pull . . . . .	201
GSH 170 14" C-shape pull . . . . .	202
GSH 169 12" C-shape pull . . . . .	203
GSh 173 C-shape pull . . . . .	204
GSh 169B C-shape pull . . . . .	205
GSH 4700/4800 Segment shape Pull . . . . .	206
GSH 4100 Series D-shape Pulls . . . . .	207
GSH 176 Offset Pull . . . . .	208
GSH 9820/9812 Cast Pull . . . . .	209
GSH 8819 20" "S" Pull . . . . .	210
GSH 8818 20" "S" Pull . . . . .	211
GSH 9912/9920 Offset Pull . . . . .	212
GSH 181 Offset pull . . . . .	213
GSH 181B Straight pull . . . . .	214
GSH 6601 Offset Pull . . . . .	215
GSH 6602 Offset pull . . . . .	216
GSH 6604 Straight Pull . . . . .	217
GSH 6605 Straight Pull . . . . .	218
GSH 6603 Straight Pull . . . . .	219

GSH 6606 Wave Pull	220
GSH 976 Cabinet Pull	221
GSH 975 Pull	222
GSH 6320 20" Curved pull	223
GSH 7800 12" Pull	224
GSH 6312 12" Curved Pull	225
GSH 371 Straight Pull	226
GSH 10871 Offset Pull	227
GSH 4416 /4500 Door Handle Set	228
GSH 7629 Paddle shaped pull	229
GSH 178 S-shaped pull	230
GSH 164/165/166/1670offset/straight vertical Ladder pull	231
GSH 4700T vertical pull	232
GSH 11600 Pull Set	233
GSH 7320 Double curved pull	234
GSH 1189 Custom door pull	235
GSH C848 pull	236
GSH 373 Pull (acorn ends)	237
GSH 372 Pull (pointed ends)	238
GSH 373 O.S. Acorn ends Offset pull	239
GSH 179 Pull	240
GSH 2632 4X16 Hospital Push/ Pull	241

## Section C

### GRAB BARS

Grab Bar general information	243
Anchoring Devices (Non-Standard)	244
C02-C07 Straight Grab Bar 12"-48"	245
C08 90 Degree "L" Shape Grab Bar 16" X 32"	246
C09 90 Degree "L" Shape Grab Bar 16" X 32"	247
C10 90 Degree "L" Shape Grab Bar 16" X 24"	248
C11 90 Degree "L" Shape Grab Bar 16" X 24"	249
C12 90 Degree "L" Shape Grab Bar 20" X 40"	250
C12C 90 Degree "L" Shape Grab Bar C/W POST	251
C13 90 Degree "L" Shape Grab Bar	252

C14 Shower Rail 30" x 24" x 30"	253
C15 Shower Rail 30" x 24" x 30"	254
C16 Tub Rail 24" x 48"	255
C17 Tub Rail 30" x 30"	256
C18 Tub Rail 48" x 24" x 32"	257
C19 Tub Rail 48" x 24" x 32"	258
C20 Tub Rail 32" x 28" x 30"	259
C21 Tub Rail 32" x 28" x 30"	260
C22 Standing Tub Rail 34" x 14" x 32"	261
C23 Standing Tub Rail 34" x 14" x 32"	262
C24 Standing Tub Rail 32" x 28" x 30"	263
C25 Standing Tub Rail 32" x 28" x 30"	264
C26/C26B - Horizontal Tub Rail with Outrigger	265
C27 Wall to Floor Rail 30" X 30"	266
C28 Straight Rail with Support 48"	267
C29 Straight Rail with Support 52"	268
C30 120 Degree "L" Shape Wall Rail 12" x 12"	269
C31 120 Degree "L" Shape Wall Rail 24" x 24"	270
C32 Double Rail Tapered 24" x 24" x 12"	271
C33 Side Rail with Outrigger 30" x 6" x 24"	272
C34 Side Rail with Outrigger 30" x 6" x 24"	273
C35A Swing Clear	274
C35AT Swing Clear with Toilet Paper Holder	275
C36 Double Rail Straight 18" x 24" x 12"	276
C37 Floor to Ceiling 8' - 0"	277
C38 Wall to Floor Rail C/W Outrigger 30" x	278
C39 Wall to Floor Rail C/W Outrigger 30" x 30"	279
C40 97 Degree Wall Rail 9" x 32"	280
C41 97 Degree Wall Rail 9" x 32"	281
C42 Lift Up Grab Bar	282
BR-50 Back Rest Grab Bar 24" Exposed	283
BR-51 Back Rest Grab Bar 24" Concealed	284

## Section D

### FLATWARE

GSH 30N Overlapping Type 90° Door Edge	286
GSH 31N Overlapping Type 93° Door Edge	287
GSH 32N Overlapping Type Radius Door Edge	288
GSH 33N Overlapping Type 90° Door Edge	289
GSH 34N Overlapping Type 93° Door Edge	290
GSH 35N Mortise Type 90° Door Edge	291
GSH 36N Mortise Type 93° Door Edge	292
GSH 37N Mortise Type Radius Door Edge	293
GSH 38N Mortise Type 90° Door Edge	294
GSH 39N Mortise Type 93° Door Edge	295
GSH 40N Mortise Type Radius Door Edge	296
GSH 41N Butted Type 90° Door Edge	297
GSH 42N Butted Type 93° Door Edge	298
GSH 43N Butted Type Radius Door Edge	299
GSH 44N Butted Type 90° Door Edge	300
GSH 45N Butted Type 93° Door Edge	301
GSH 46N Butted Type Radius Door Edge	302
GSH J82 Corner Guard 90° Door Edge	303
GSH J83 Corner Guard 90° Door Edge	304
GSH Custom Wrap Around Plates	305
GSH 78 Clear Plastic Kick/ Push Plate	306
GSH 80 Kick Plate	307
GSH 81 Push Plate	308
GSH 81A - PH / GSH 81A-PL	309
GSH 81 Custom	310
GSH 82 Push Plate	311
GSH 83 1/2 Round Push Plate	312
GSH 84 Radius Corner Push Plate	313
GSH 85N Decorative Push Plate 3 1/2	314
GSH 90F ARMOR Plates ULC Rated 20ga	315
GSH 47N Edge Guard 93° ULC Rated 20ga	316
GSH 48N Edge Guard 93° ULC Rated 20ga	317
GSH 50N Frame Wrap ULC Rated 20ga	318

## Section E

### GUARD BARS AND GUIDE RAILS

GSH 800 Guard Bar 1/2" X 1-1/2" FB C/W 1-1/2" X 3" BP	320
GSH 801X Guard Bar 1/2" X 1-1/2" Flat Bar	321
GSH 802N Guard Bar 1/2" X 1-1/2"	322
GSH 802X Guard Bar 1/2" X 1-1/2" Flat Bar	323
GSH 803N Guard Bar 1/2" X 1-1/2"	324
GSH 804N Guard Bar 1/2" X 1-1/2"	325
GSH 815 Guard Bar 1/2" X 1-1/2" Single Flat Bar	326
GSH 816 Guard Bar 1/2" X 1-1/2"	327
GSH 821 Guard Bar 1/2" X 1-1/2"	328
GSH 822 Guard Bar 1/2" X 1-1/2"	329
GSH 837 Guard Bar 1/2" X 1-1/2"	330
GSH 837D Guard Bar 1/2" X 1-1/2"	331
GSH 851D Guard Bar 1/2" X 1-1/2"	332
GSH 851D Guard Bar 1/2" X 1-1/2"	333
GSH 852X Guard Bar 1/2" X 1-1/2" Single Bar	334
GSH 855 Bumper Bar 1/2" X 1-1/2"	335
GSH 855D Guard Bar 1/2" X 1-1/2"	336
GSH 856X Guard Bar 1/2" X 1-1/2" Single Bar	337
GSH FGR-601 Guide Rails	338
GSH FGR-602 Guide Rails	339
GSH FGR-603 Guide Rails	340
GSH FGR-604 Guide Rails	341
GSH FBB-651 Buggy Bumper	342
GSH FBB-652 Buggy Bumper	343

## Section F

### CONTINUOUS HINGES

CH931	346
CH941 Full Mortise	347
CH944 Half Mortise	348
CH945 Half Mortise C/W Guard	349
CH946 Swing Clear	350
CH947 Full Surface	351
CH951 Full Mortise	352
CH952 Full Wrap Edge Guard/Mount	353
CH952E Ext. Full Wrap Edge Guard/Mount	354
CH953 Half Wrap Edge Guard/Mount	355
CH954 Half Mortise	356
CH955 Half Mortise with Guard	357
CH956 Swing Clear	358
CH957 Full Surface	359
GSH HD112 Alum. Geared Hinge	360
GSH HD157 Full Surface Alum. Geared Hinge	361
GSH HD210 Full Surface Alum. Geared Hinge	362
Double acting continuous hinge	363
MODEL LL299 KEYED - RESCUE HARDWARE	364
CH943 HALF WRAP EDGE GUARD/MOUNT	365
CH951HD FULL MORTISE	366
CH952HD FULL WRAP EDGE GUARD/MOUNT	367
CH953HD HALF WRAP EDGE GUARD/MOUNT	368

## Section H

### MORTISE PATCH LOCKS

GSH 04 Storeroom Patch Lock	370
GSH 05 Office Patch Lock	371
GSH 15 Passage Patch Lock	372
GSH 37 Classroom Patch Lock	373
Electrified Strike Patch	374
Patch Fitting for Cylindrical Deadbolt	375
How to Order	376
How to Order	377

## Section I

### ABUSE RESISTANT

GSH 918 Butt Hinge	379
GSH 919 Butt Hinge	380
GSH 920 Surface Pull	381
GSH 921 Flush Pull	382

## **OVERVIEW**

### **GENERAL INFORMATION**

This catalogue illustrates standard designs in various Types of Door Pulls, Guard Bars, and miscellaneous hardware that we manufacture. Should a particular need or design require variation from the designs shown, Gallery Specialty Hardware welcomes the opportunity to create a unique item to fit your specifications.

### **GUARANTEE**

We guarantee our products against fault in workmanship and material. Claims for defects must be made immediately upon receipt of goods. Products sold with lacquered finish (C3, C4, C5, C9, C10, C20) are not guaranteed against scratching or chipping, after installation on job site. The materials we use for these finishes are the best available, consequently we can not guarantee against deterioration due to wear or environmental conditions.

### **MINIMUM ORDER**

All orders are subject to a \$55.00 minimum charge.

### **TERMS**

Terms are as follows: net 30 days. A 2% discount is offered if payment is made within 10 days.

### **PAYMENTS**

Unpaid accounts going beyond 45 days from date of invoice will be subject, without notice, to a cessation of shipments, except on a C.O.D. basis.

### **PRICES**

Prices do not include sales tax unless specifically indicated. Prices are subject to change Without prior notice.

### **RETURN OF GOODS**

Permission to return goods must be obtained from our Customer service department. Return transportation must be prepaid. Goods accepted for return are subject to a minimum 20% restocking charge. Merchandise made to Customers special requirements may not be returned.

GR

## DESCRIPTION OF FINISHES

Gallery Code. ....	BHMA.....	Description
P .....	600 .....	Steel, primed for painting
2C .....	602 .....	Steel, cadmium Plated
2G .....	603 .....	Steel, zinc Plated bright
3 .....	605 .....	Bright, brass, clear lacquered
3A .....		Bright brass, no lacquer
4 .....	606 .....	Satin brass, clear lacquered
5 .....	609 .....	Satin brass, oxidized & relieved (antiqued)
9 .....	611 .....	Bright bronze, clear lacquered
9A .....		Bright bronze, no lacquer
10 .....	612 .....	Satin bronze, clear lacquered
10A .....		Satin bronze, no lacquer
10B .....	613 .....	Satin bronze, oxidized & oil rubbed
14 .....	618 .....	Bright nickel
15 .....	619 .....	Satin nickel
17A .....	648 .....	Nickel Plated, blackened, matte relieved, clear coated
19 .....		Aluminum, anodized black
20L .....	623 .....	Bronze, oxidized light & lacquered
20M .....		Bronze, oxidized medium & lacquered
20D .....	624 .....	Bronze, oxidized dark & lacquered
26 .....	625 .....	Bright chromium
26D .....	626 .....	Satin chromium
27 .....	627 .....	Satin Aluminum, clear lacquered
28 .....	628 .....	Satin Aluminum, clear anodized
32 .....	629 .....	Stainless steel, bright
32D .....	630 .....	Stainless steel, satin

## MOUNTINGS AND FASTENERS

# 1 Surface Mounting

# 2 Thru Bolt Mounting

# 4B Spanner Head Security Bolt

# 5 Concealed Mounting Bolts Back to Back

# 5-1 Includes 1 1/4" Dia. washers for Glass Doors Back to Back

# 5-2 Single Concealed Mounting (Specify Wood or Metal)

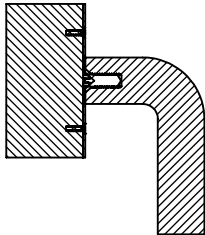
Ms #6-32 X 3/8 Machine Screw for Kick Plates



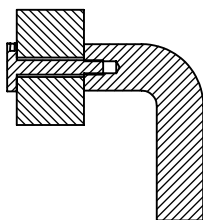
Ws #6 X 5/8 Wood Screw for Kick Plates



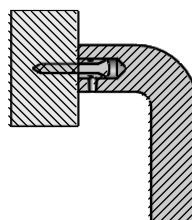
#1 Wood or Metal



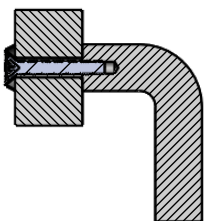
#4B Wood or Metal



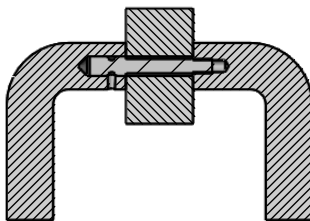
#5-2 Wood



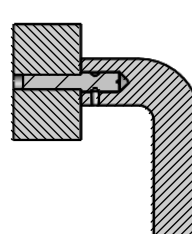
# 2 Wood or Metal



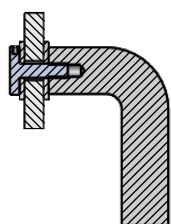
#5 Wood or Metal



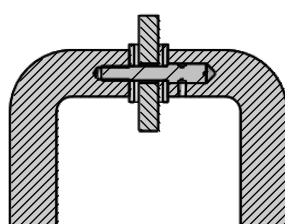
#5-2 Metal



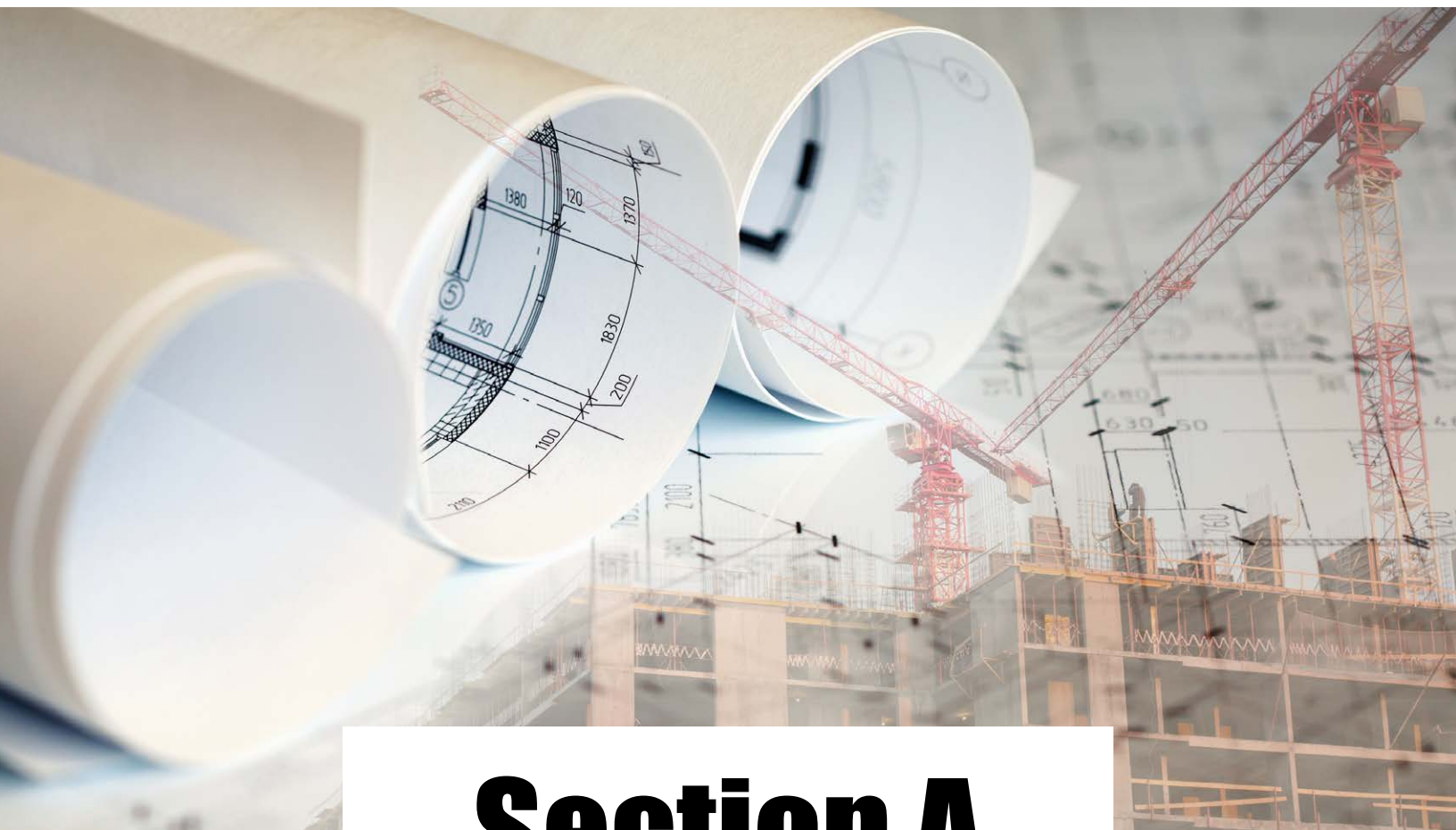
#4B Glass



#5-1 Glass



Please specify Door thickness and material for all Door Pull orders.  
Fasteners for 1 3/4" Door will be supplied unless specified otherwise



# Section A

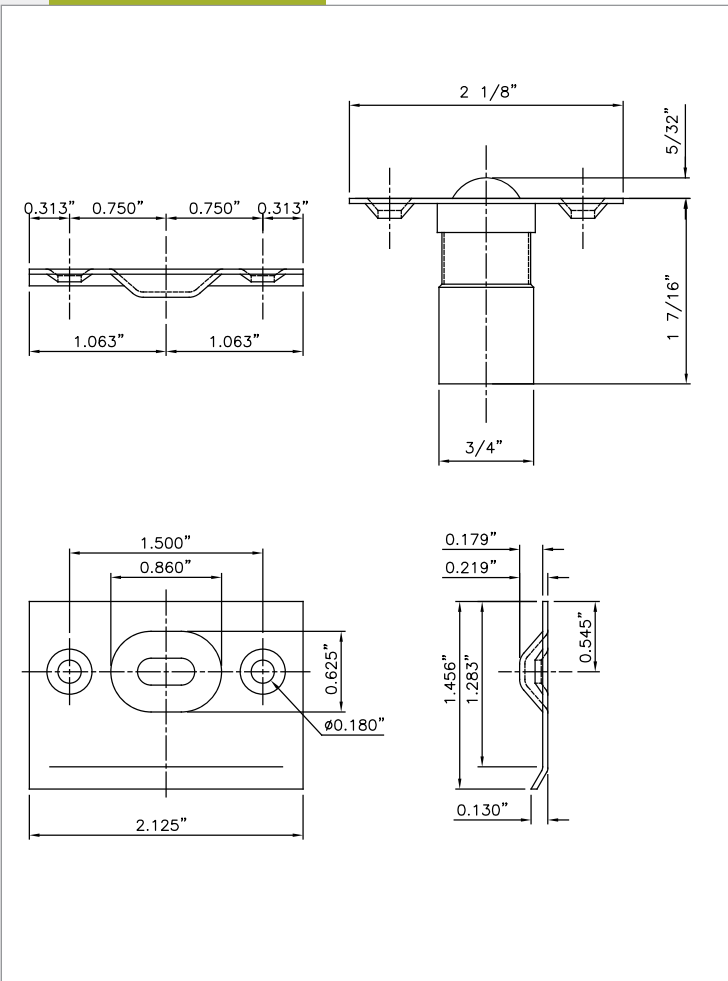
## MISCELLANEOUS DOOR HARDWARE

**Gallery™**  
specialty hardware

## GSH 1 BALL CATCH



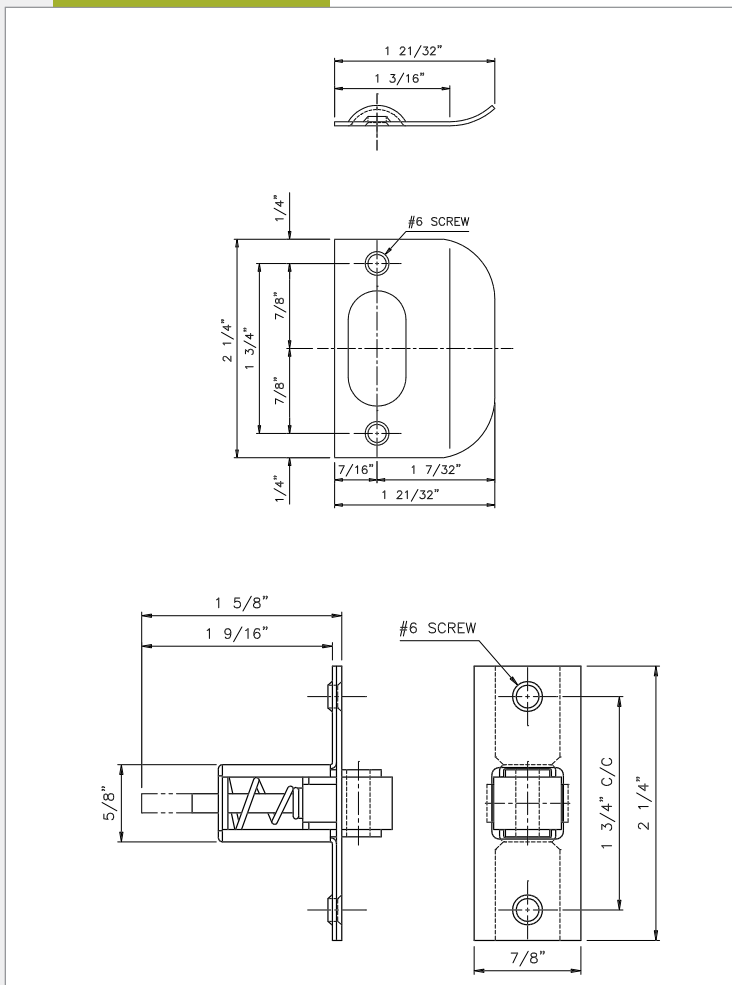
- Cast Brass on Bronze
- Dual adjustment for Clearance and tension
- Lip strike designed for use where strike is mounted in jamb
- Supplied with screws
- Finishes C3, C5, C10B, C15A, C26 and C26D



## GSH 2 ROLLER CATCH



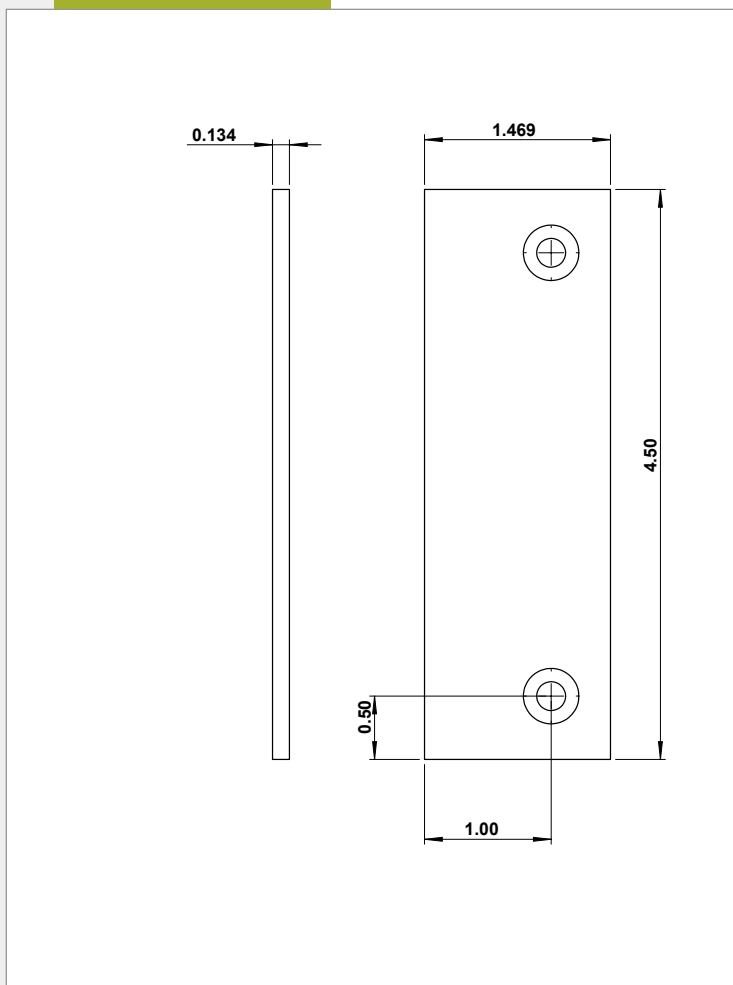
- Wrought brass
- For Cabinet and interior Doors
- Easy installation on Doors 3/4" bore)
- Smooth latching with strong spring
- Full lip strike
- Supplied with screws
- Finishes C3, C5, C10B, C15A, C26 and C26D



## GSH 9 HINGE FILLER PLATE

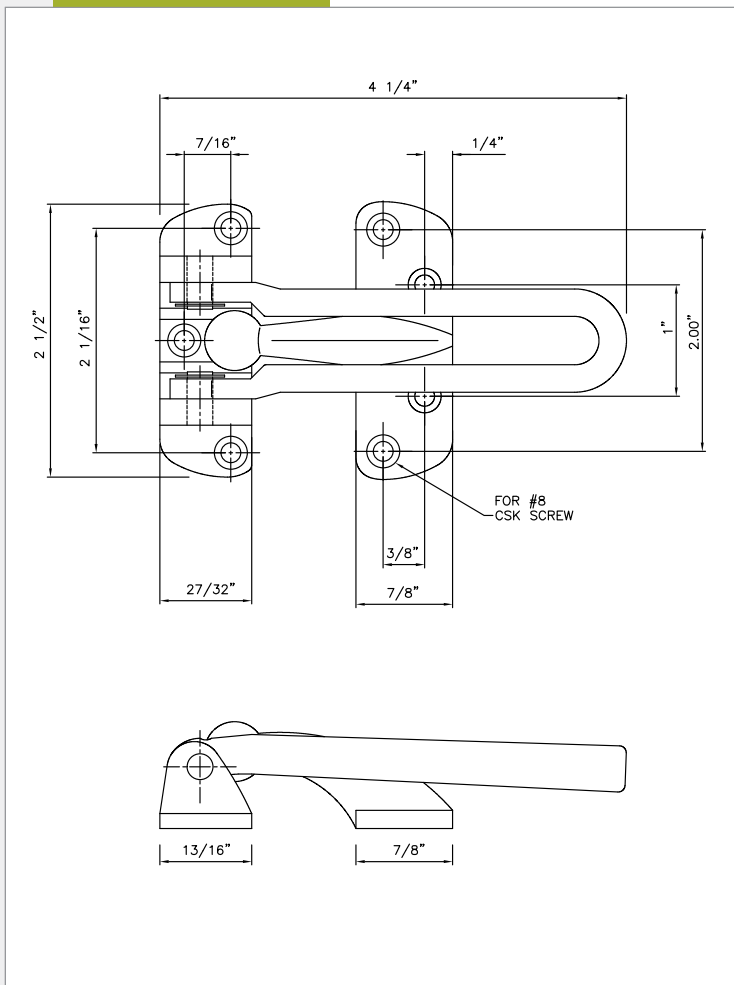


- 0.134 CR Steel Hinge blank to suit Standard 4.5" hinge prep
- Supplied with #12-24 MS
- Prime coat



## GSH 11 DOOR GUARD

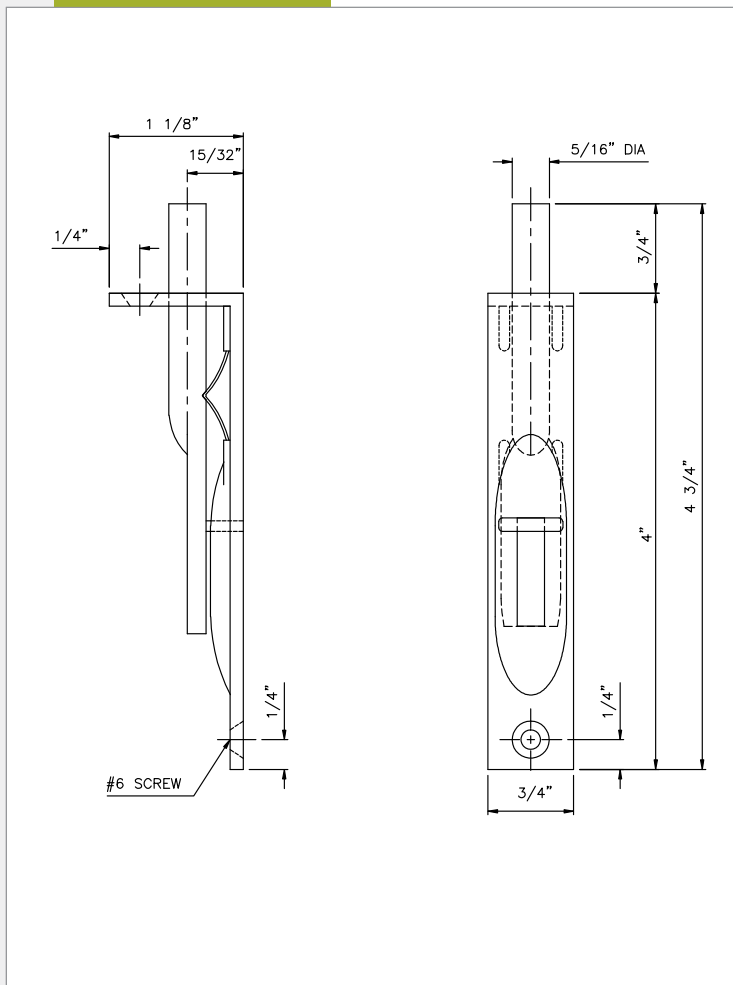
- C26D



## GSH 14 FLUSH BOLT 4"



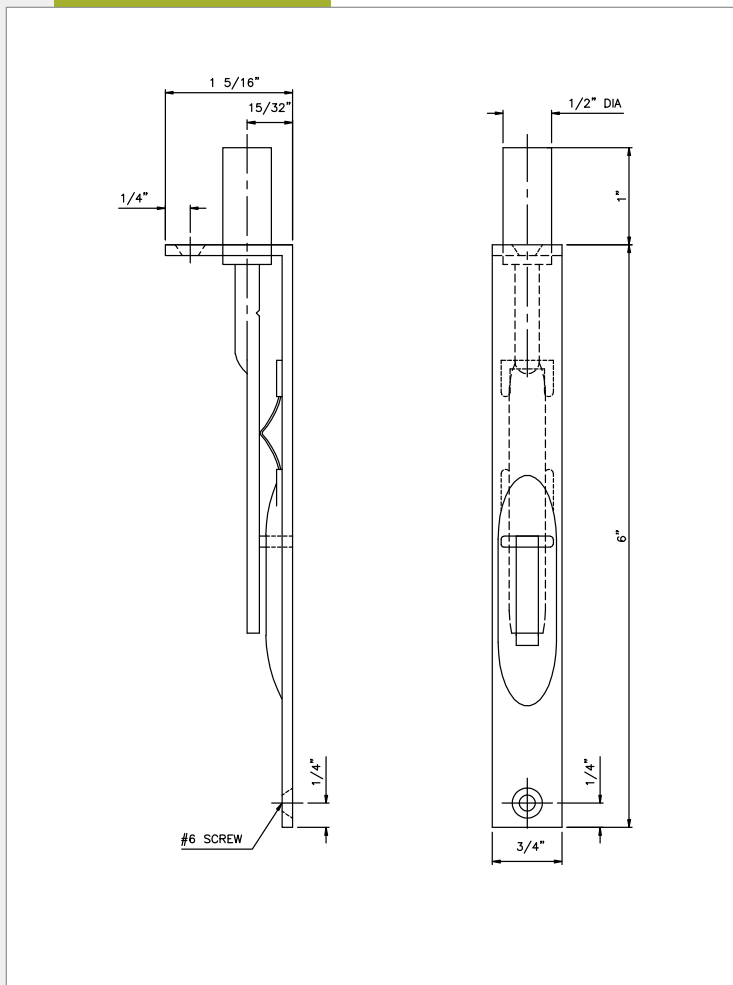
- Cast brass
- High quality and compact
- Deep recess for easy operation
- Strong spring design holds bolt Automatically in retracted or projected position
- Supplied with screws
- Finishes C3, C5, C10B, C15A, C26 and C26D



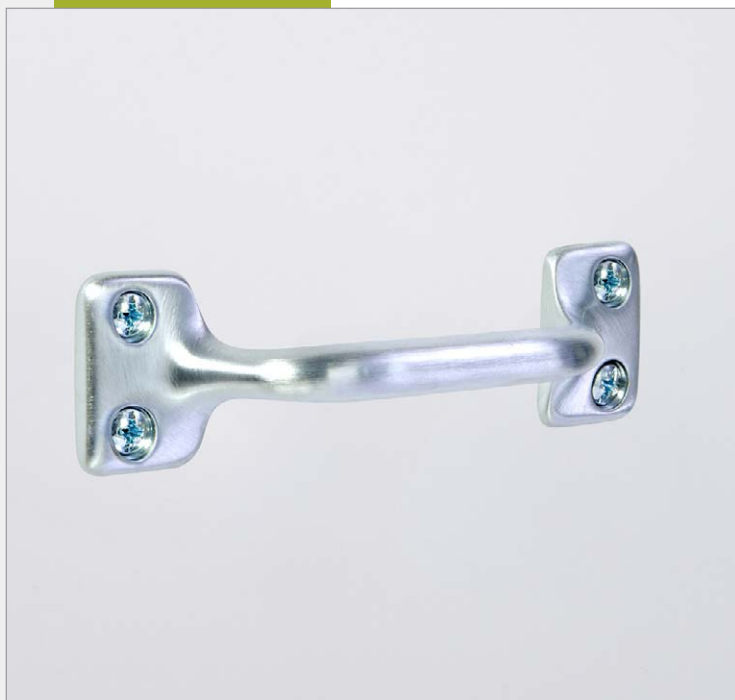
## GSH 15 FLUSH BOLT 6"



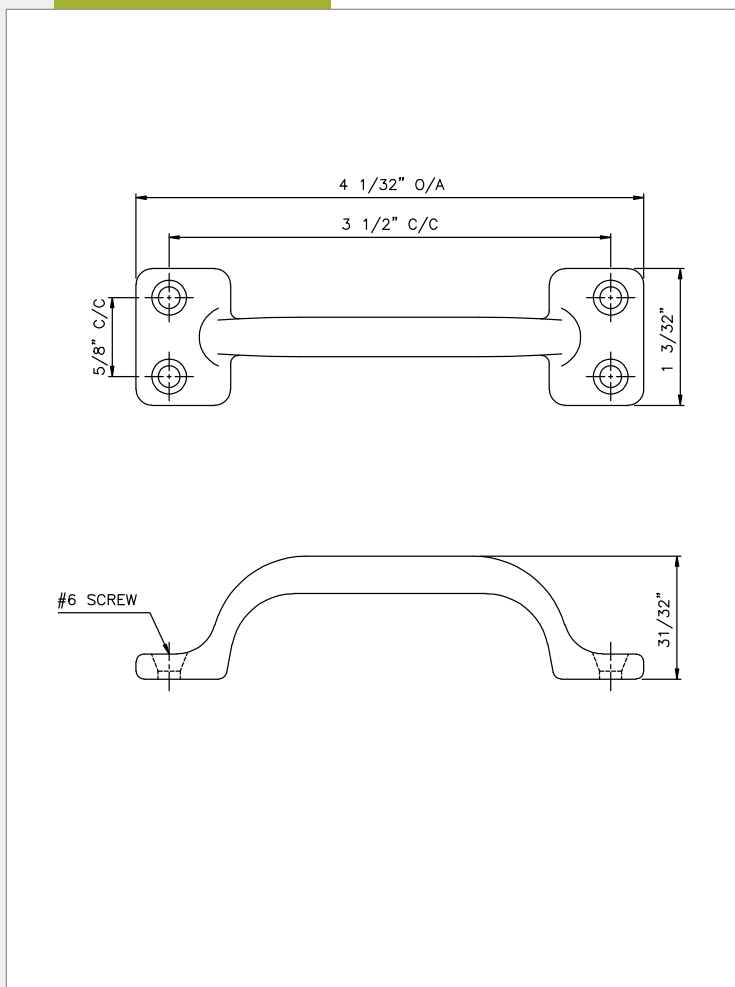
- Cast Brass
- Exceptionally High Quality
- Deep Recess for Easy Operation
- Strong Spring Design Holds Bolt Automatically in Retracted or Projected Position
- Supplied with Screws
- C3, C5, C10B, C15A, C26, and C26D



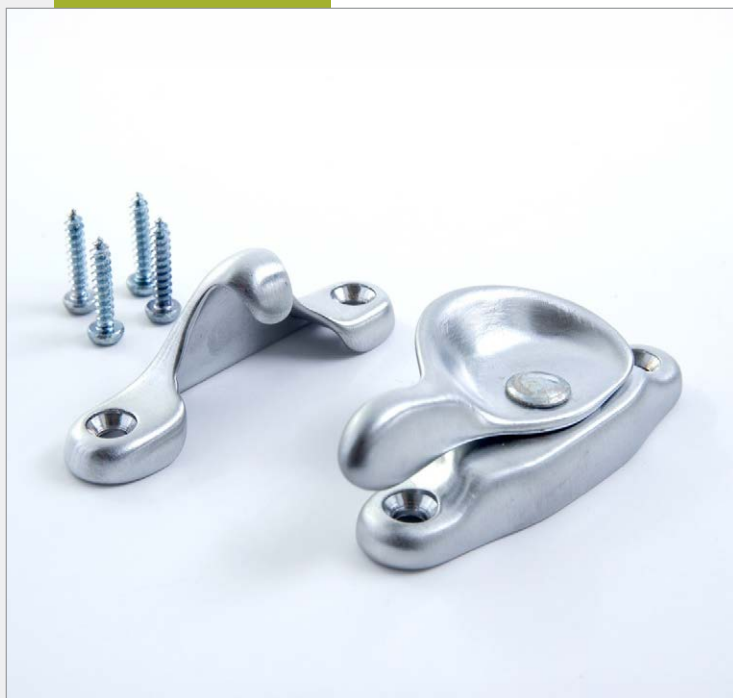
## GSH 16 WINDOW LIFT



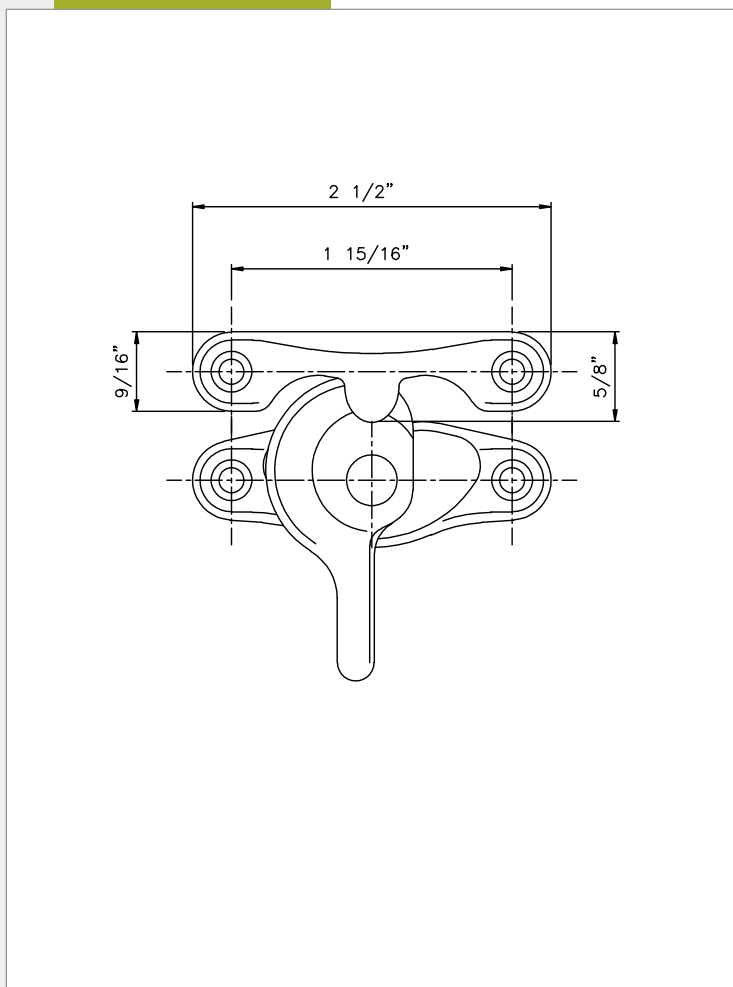
- Cast Brass or Bronze
- Allows Safe Opening of Window
- Used Also as Drawer or Utility Pull
- Supplied with Screws
- C3, C5, C10B, C15A, C26, and C26D



## GSH 18 WINDOW LOCK



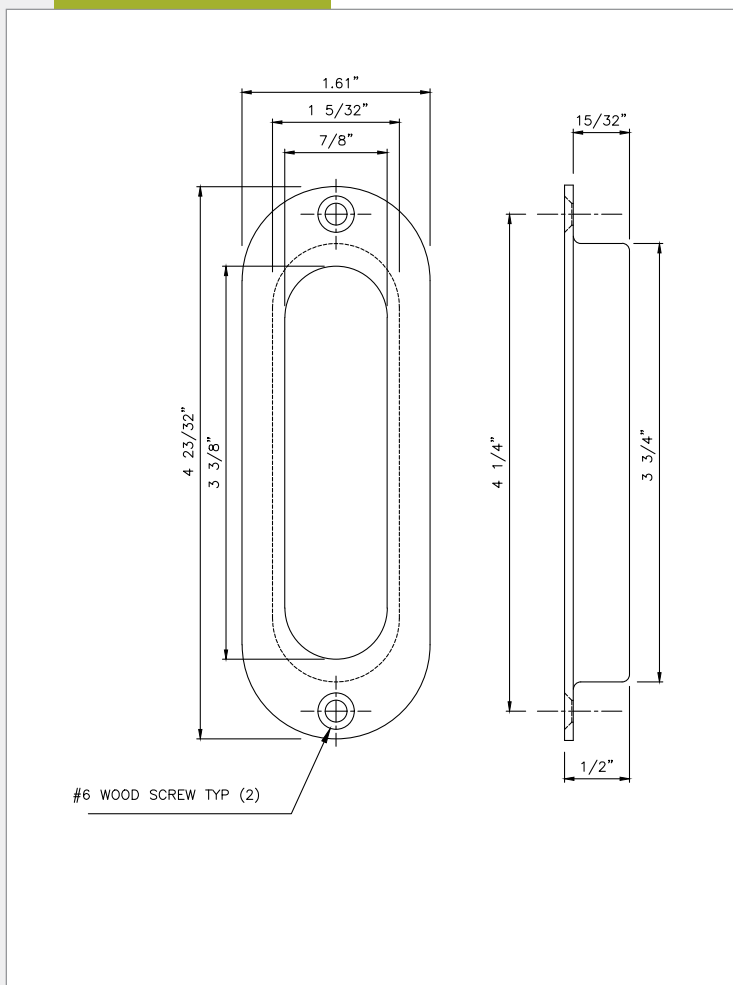
- Cast Brass or Bronze
- Close to the sash for Strength and Greater Resistance to Breakage
- Vertical and Horizontal Camming Action for Tight Fit, Free From Rattles
- Heavy Gauge Springs Give Longwearing Action
- Supplied with Screws
- C3, C5, C10B, C15A, C26, and C26D



## GSH19 FLUSH PULL



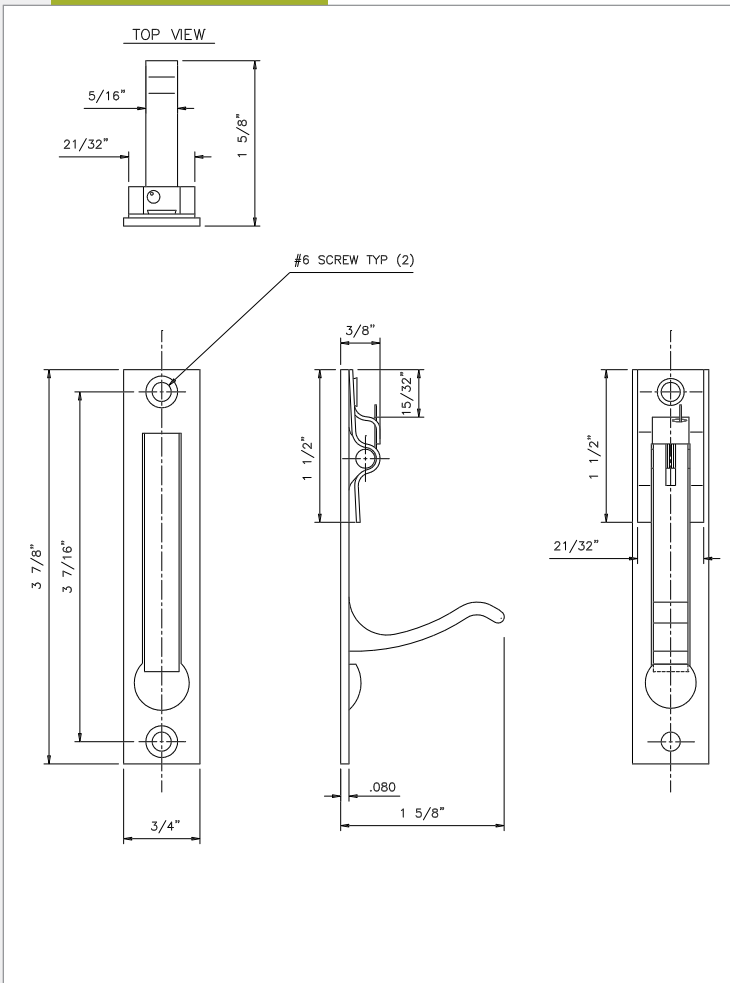
- Cast Brass or Bronze
- Grip Sloped Inwards for ease of Pulling
- Ideal for Louvered, Bi-folding or Wardrobe Doors Due to Low Profile
- Supplied with Screws
- C3, C5, C10B, C15A, C26, and C26D



## GSH 20 SLIDING DOOR EDGE PULL



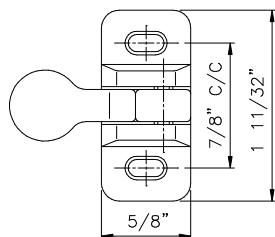
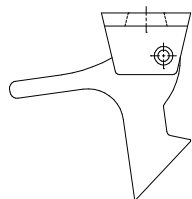
- Solid Brass
- Durable Construction
- 3/4" width allow installation on narrow, as well as Standard Doors
- Spring Automatically Returns Lever Flush with Plate
- Supplied with Screws
- C3, C5, C10B, C15A, C26, and C26D



## GSH 21 ELBOW CATCH



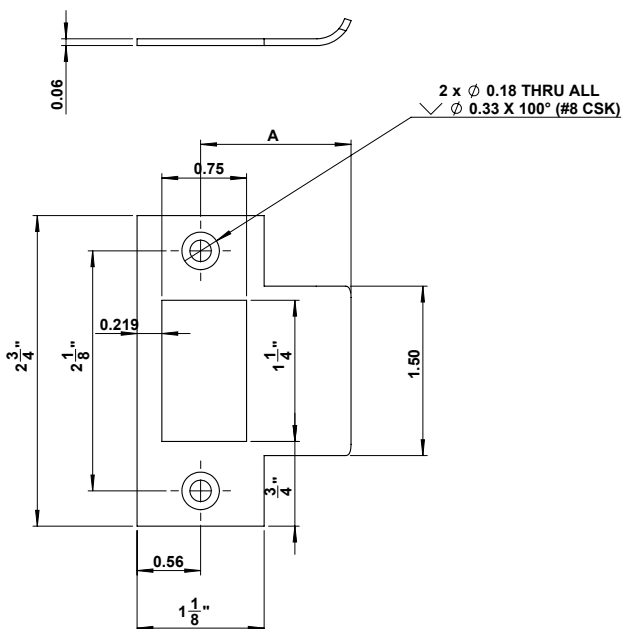
- Cast Brass or Bronze
- Ideal for Use on Inactive Leaf of Cabinet Doors
- Easy to Install. Applied to Surface, Mortising not Required
- Minimum visibility
- Supplied with Screws
- C3, C5, C10B, C15A, C26, and C26D



## GSH 22 T-STRIKE CUT OUT



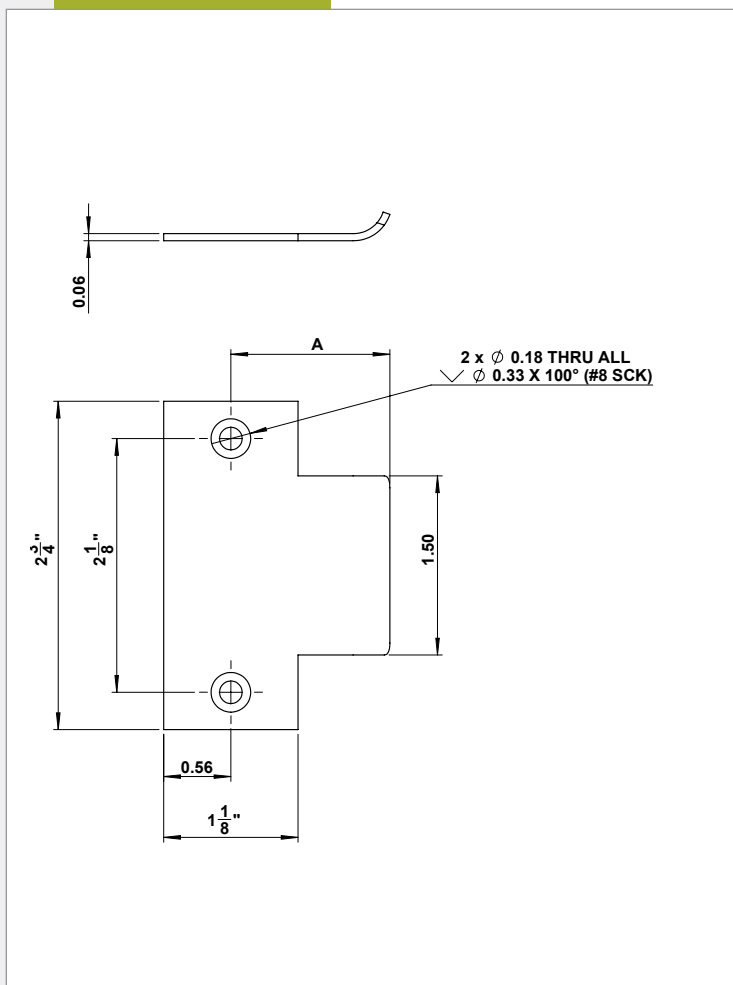
- Cold Rolled Steel
- CFL (Cut for Latch)
- Curved Lip
- Prime Coat and C26D
- Custom Cutouts and lip length available (drawing required)



## GSH 22 T-STRIKE BLANK



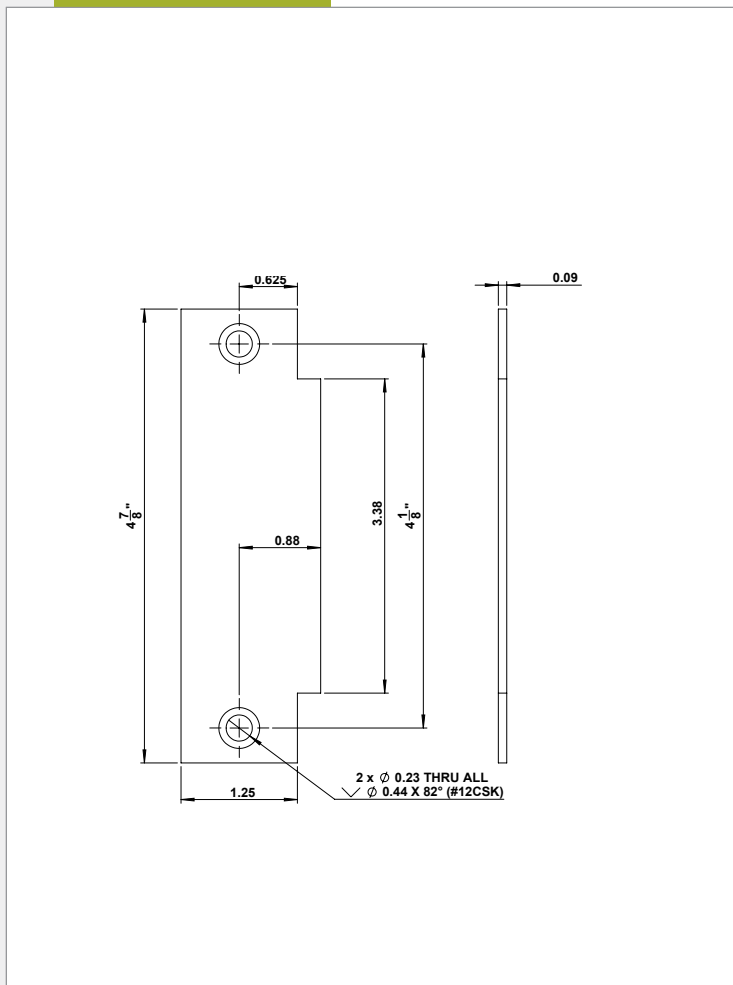
- Cold Rolled Steel
- Blank
- Curved Lip
- Prime Coat and C26D



## GSH 23 ANSI BLANK STRIKE SHORT LIP

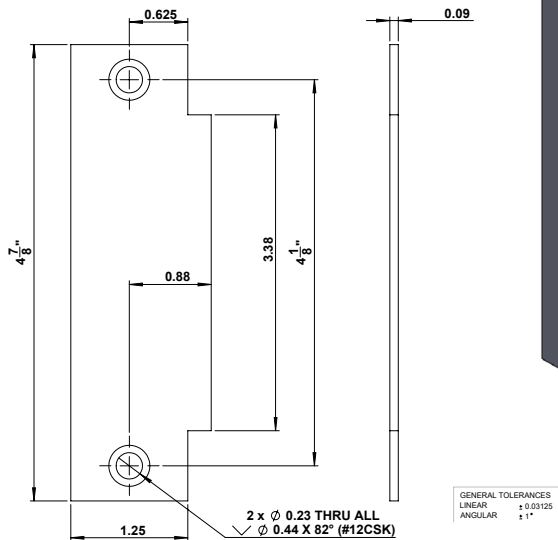


- Cold Rolled Steel
- Prime Coat and C26D



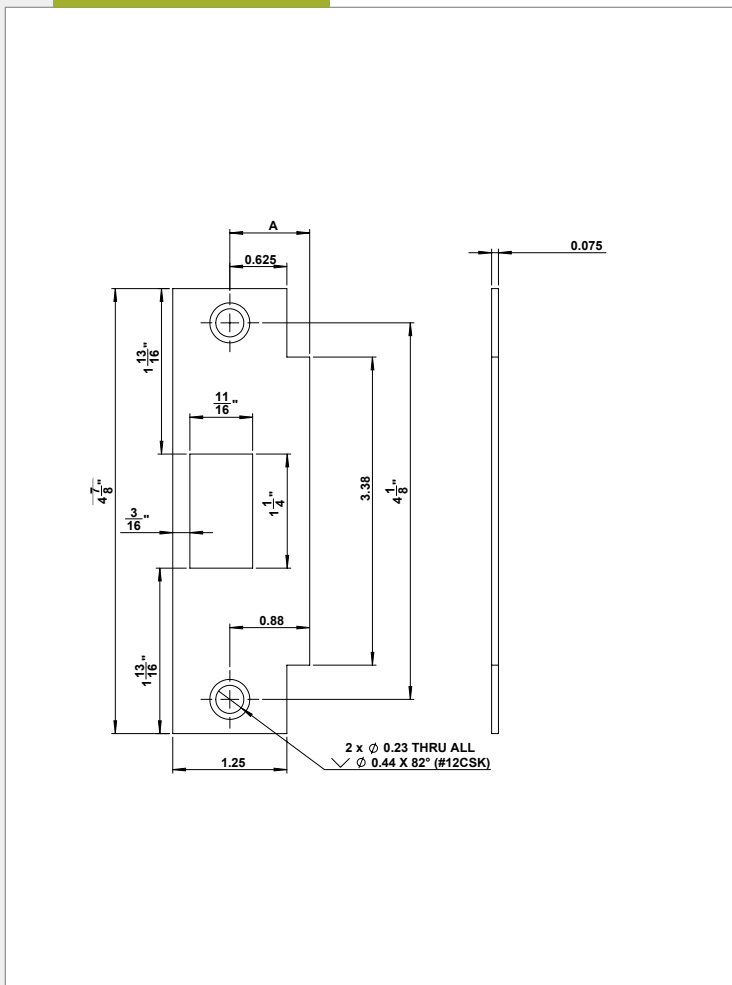
## GSH 23 ANSI BLANK STRIKE

- Cold Rolled Steel
- Prime Coat and C26D



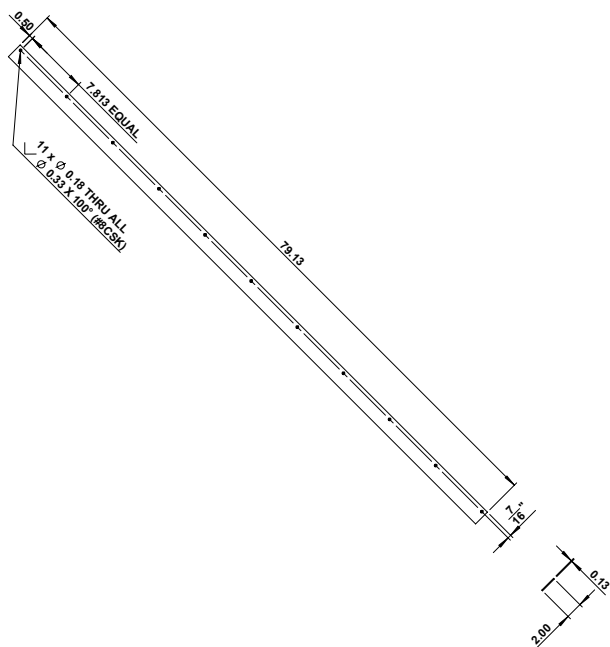
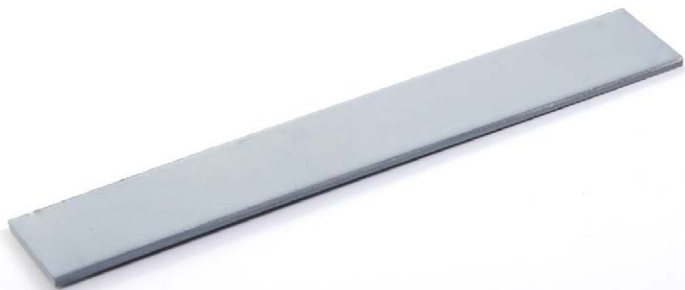
## GSH 23 CFL ANSI CUT FOR LATCH

- Cold Rolled Steel
- Prime Coat and C26D



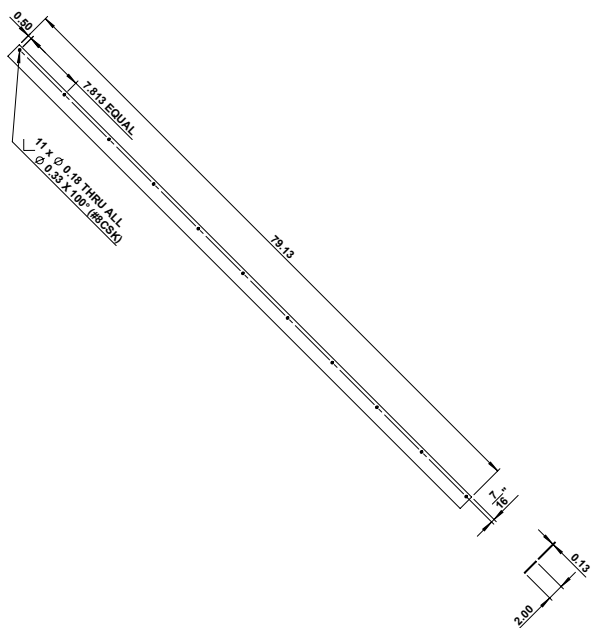
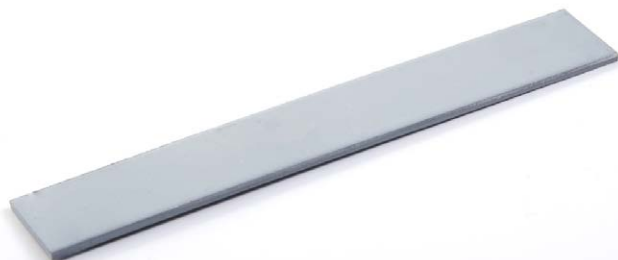
## GSH 25/25A-1 STEEL ASTRAGAL 1-1/2" WIDE

- Steel or Stainless Steel
- 25-1 Steel 1/2" Prime Coat
- 25A-1 Stainless Steel 1/2", C32D



## GSH 25/25A-2 STEEL ASTRAGAL 2" WIDE

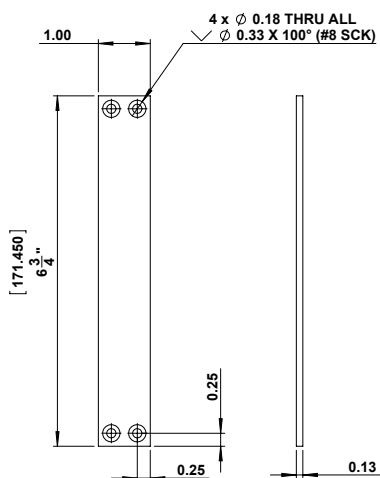
- Steel or Stainless Steel
- 25-2 Steel 2" Prime Coat
- 25A-2 Stainless Steel 2", C32D



## GSH 26 FLUSH BOLT BLANK



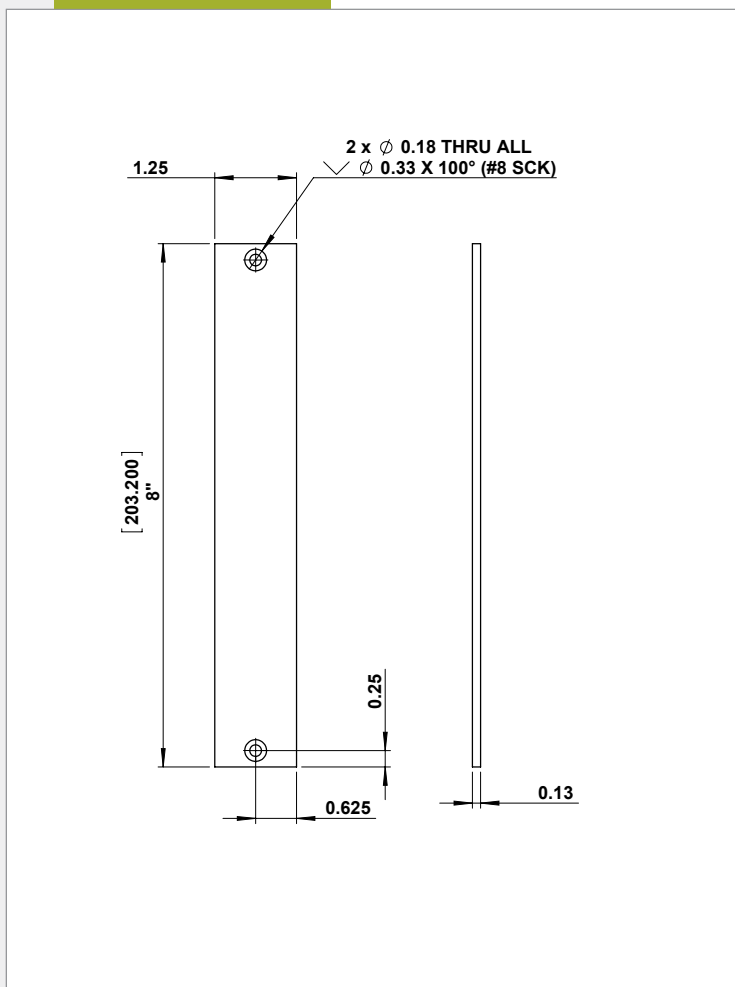
- Cold Rolled Steel
- Flush Bolt Face
- 1/8" Thick Prime Coat



## GSH 27 MORTISE LOCK FACE

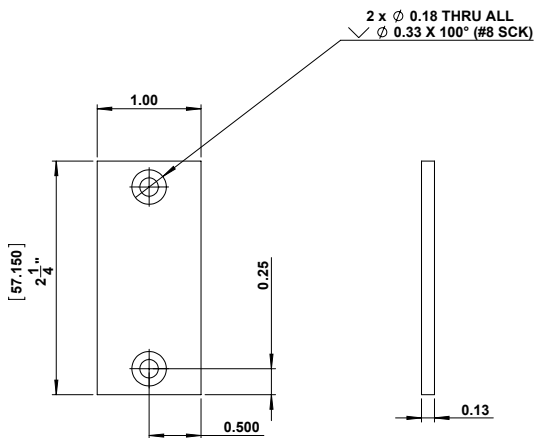


- Cold Rolled Steel
- Mortise Lock Face
- 1/8" Thick Prime Coat



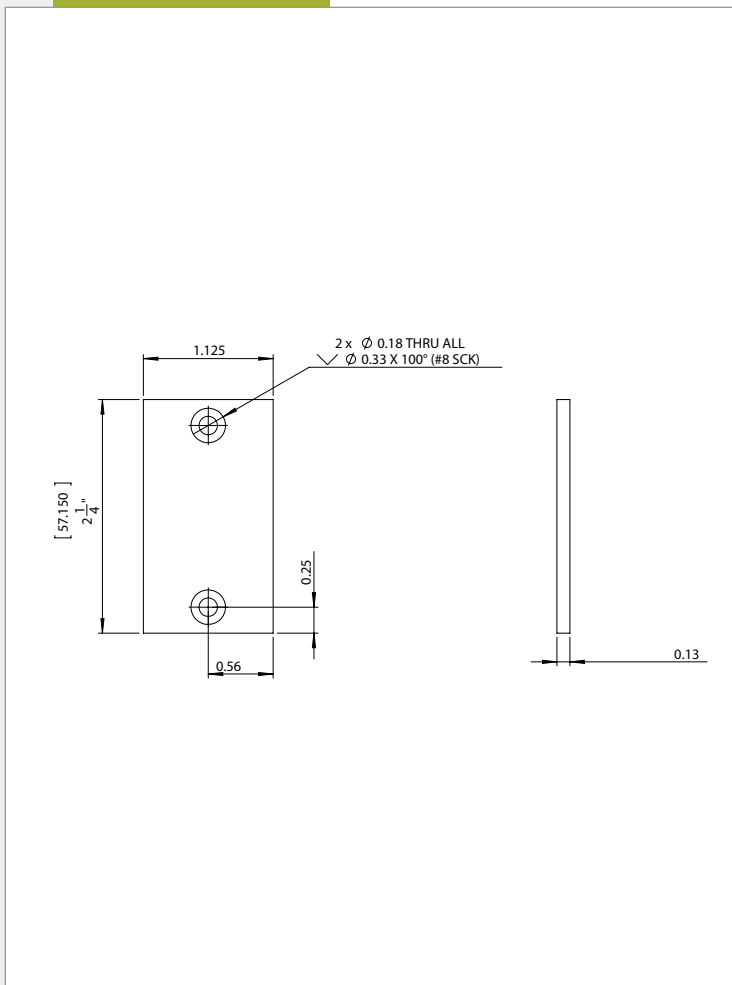
## GSH 28 BLANK LATCH FRONT

- Cold Rolled Steel
- 1/8" Thick Prime Coat
- ANSI 160 Latch Front



## GSH 29 BLANK LATCH FRONT

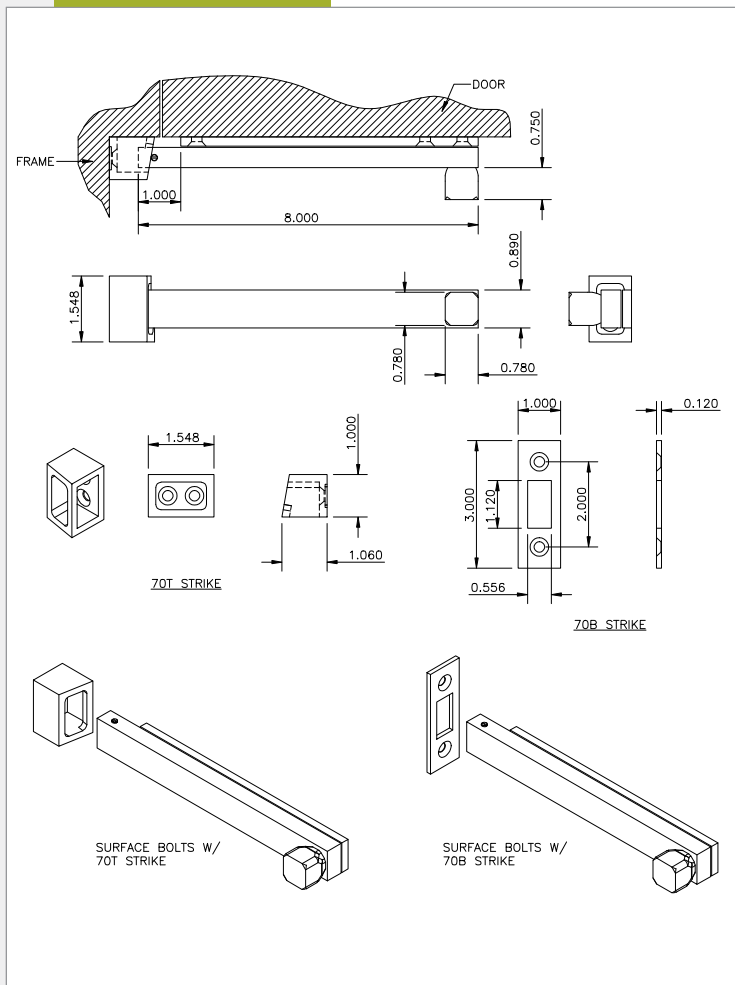
- Cold Rolled Steel
- 1/8" Thick Prime Coat
- ANSI 161 Latch Front



# GSH 70 T/B SURFACE BOLT C/W TOP AND BOTTOM STRIKE



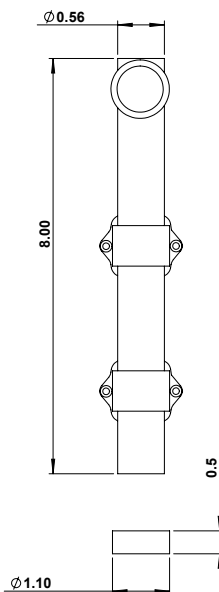
- Wrought Steel
- Universal Mounting
- C26D



## GSH 72 DUTCH BOLT 8"

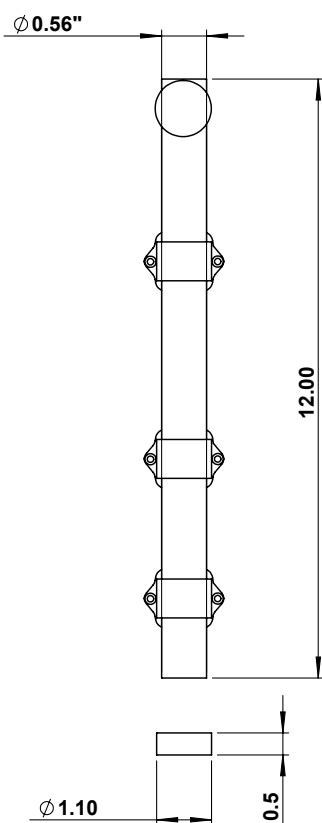


- Cast Brass
- Surface Mounted
- Screws Included
- C3, C4, C26, and C26D



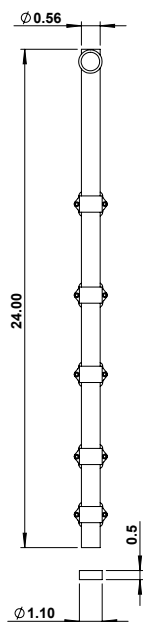
**GSH 72 DUTCH BOLT 12"**

- Cast Brass
- Surface Mounted
- Screws Included
- C3, C4, C26, and C26D



**GSH 72 DUTCH BOLT 24"**

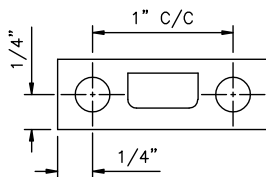
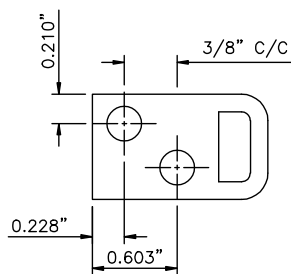
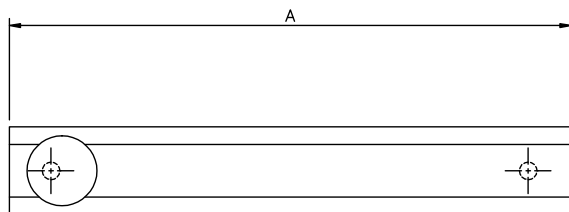
- Cast Brass
- Surface Mounted
- Screws Included
- C3, C4, C26, and C26D



## GSH 73 SOLID BRASS 3" STRAPLESS SURFACE BOLT



- Extruded Brass
- Screws included
- C3, C4, C10, C10B, C26, and C26D



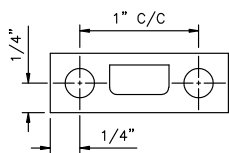
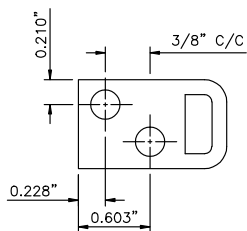
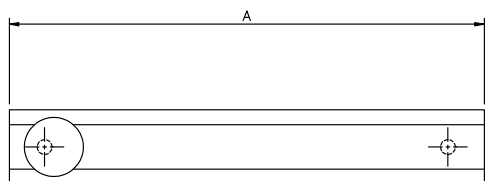
GSH 73	A=3"
GSH 74	A=4"
GSH 75	A=5"
GSH 76	A=6"



## GSH 74 SOLID BRASS 4" STRAPLESS SURFACE BOLT



- Extruded Brass
- Screws included
- C3, C4, C10, C10B, C26, and C26D



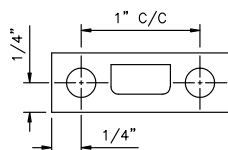
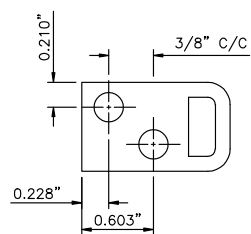
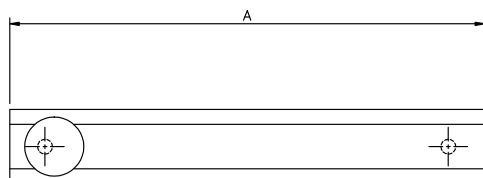
GSH 73	A=3"
GSH 74	A=4"
GSH 75	A=5"
GSH 76	A=6"



## GSH 75 SOLID BRASS 5" STRAPLESS SURFACE BOLT



- Extruded Brass
- Screws Included
- C3, C4, C10, C10B, C26, and C26D



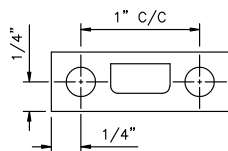
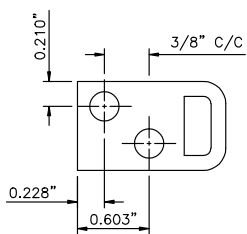
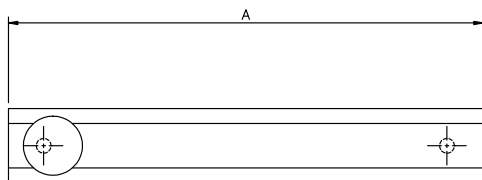
GSH 73	A=3"
GSH 74	A=4"
GSH 75	A=5"
GSH 76	A=6"



## GSH 76 SOLID BRASS 6" STRAPLESS SURFACE BOLT



- Extruded Brass
- Screws Included
- C3, C4, C10, C10B, C26, and C26D



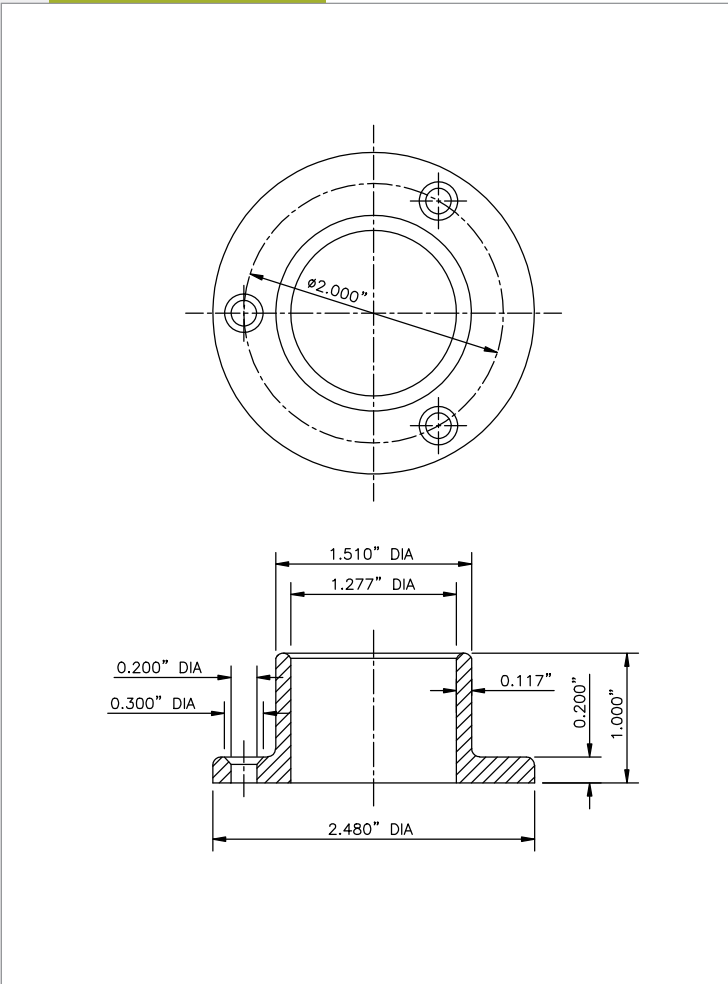
GSH 73	A=3"
GSH 74	A=4"
GSH 75	A=5"
GSH 76	A=6"



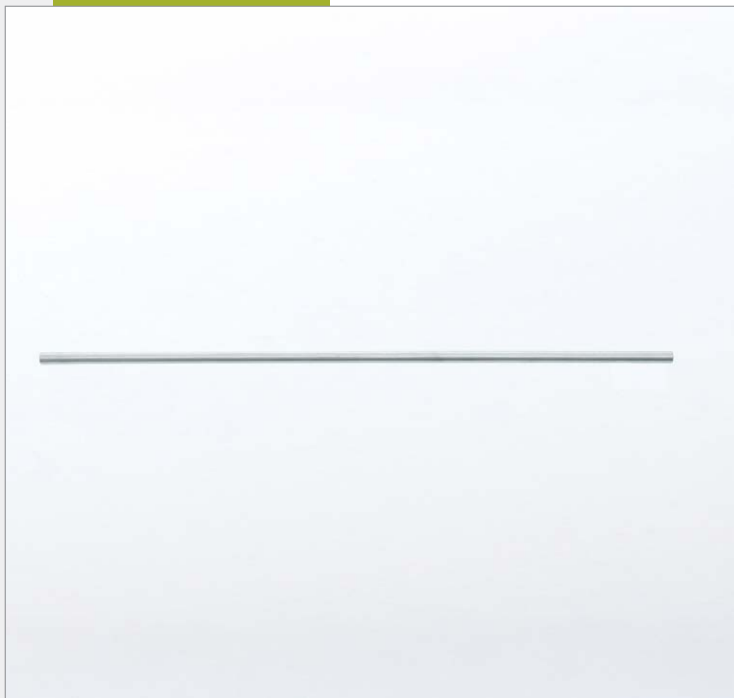
## GSH 131-2 ROD FLANGE 1 ¼" I.D.



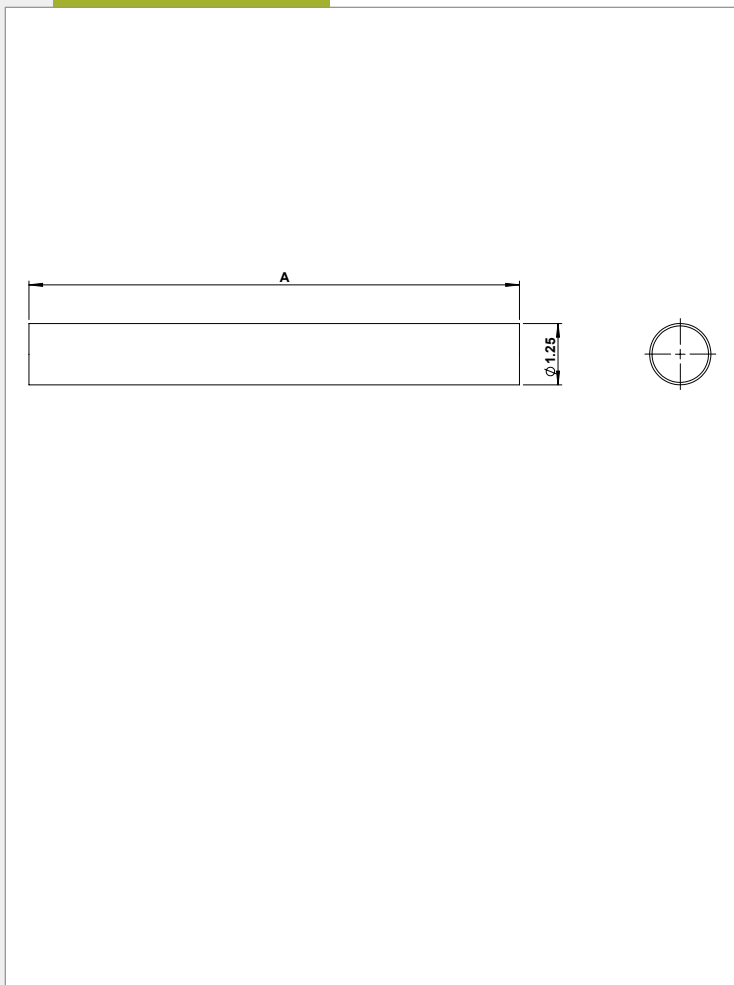
- Zinc Die Cast
- Screws Included
- C26



# GSH 137-2 HANG ROD 1 1/4" O.D. X .049 WALL

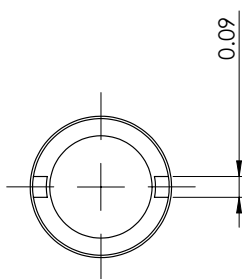
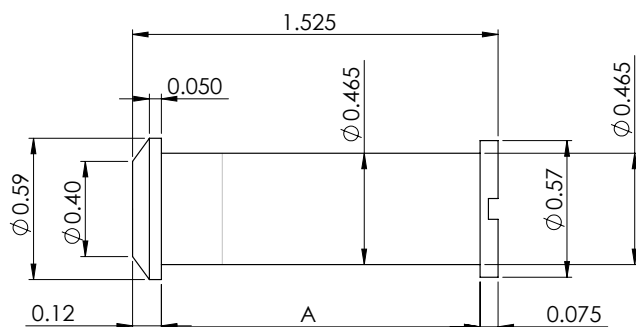


- Cold Rolled Steel
- Specify Length "A"
- C26



## GSH 199 DOOR VIEWER 160 DEGREE

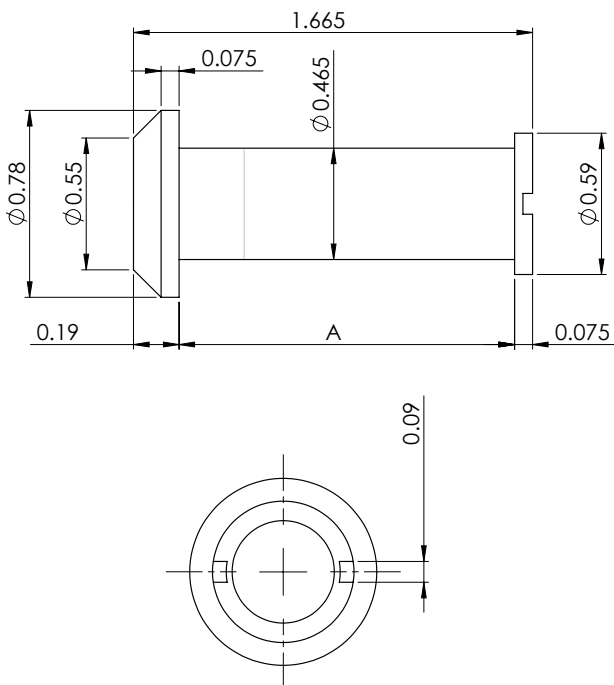
- Require 1/2" DIA Hole
- For 1 3/4" - 2" Doors
- C26D



## GSH 199B DOOR VIEWER 180 DEGREE



- Require 1/2" DIA Hole
- For 1 3/4" - 2" Doors
- C26D



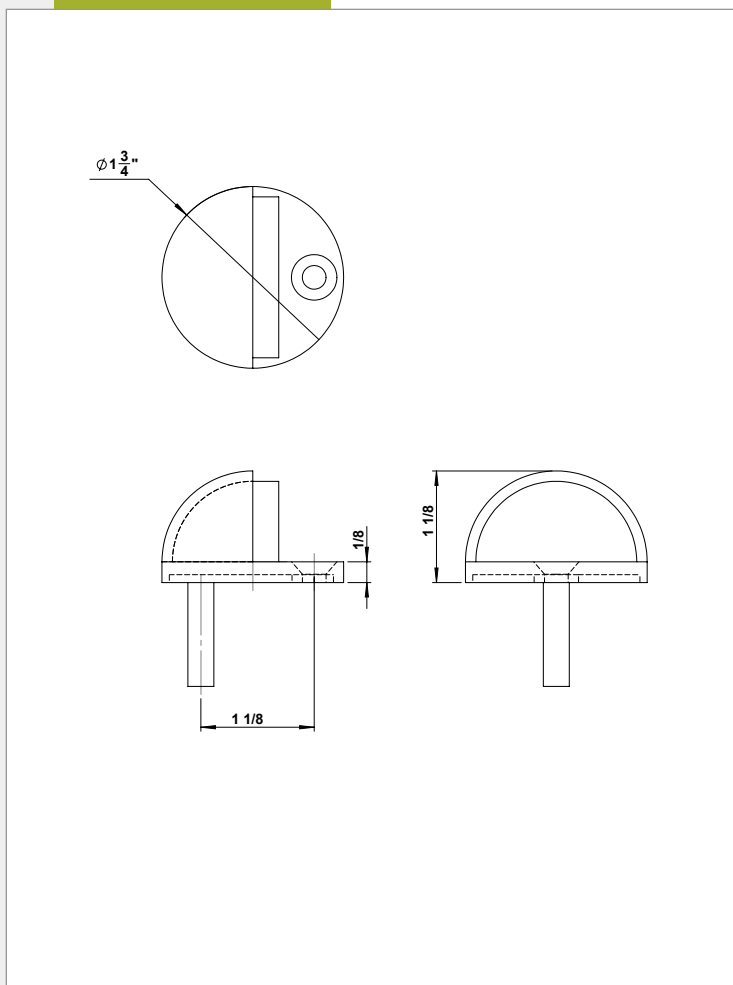
NOTES:



## GSH 200/200B/200S LOW RISE DOOR STOP

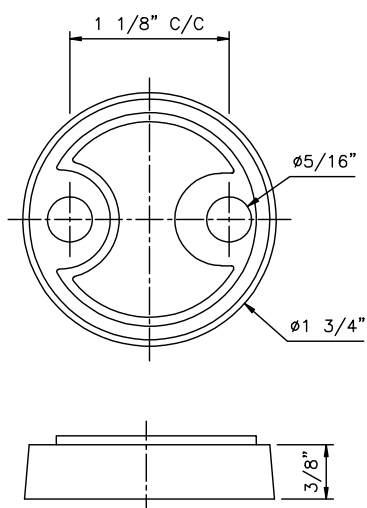


- Zinc Die Cast, Solid Brass, Solid Bronze, and Stainless Steel
- Fasteners included
- C3, C4, C10, C10B, C26, C26D, and C32D



**GSH 201 1/2" RISER**

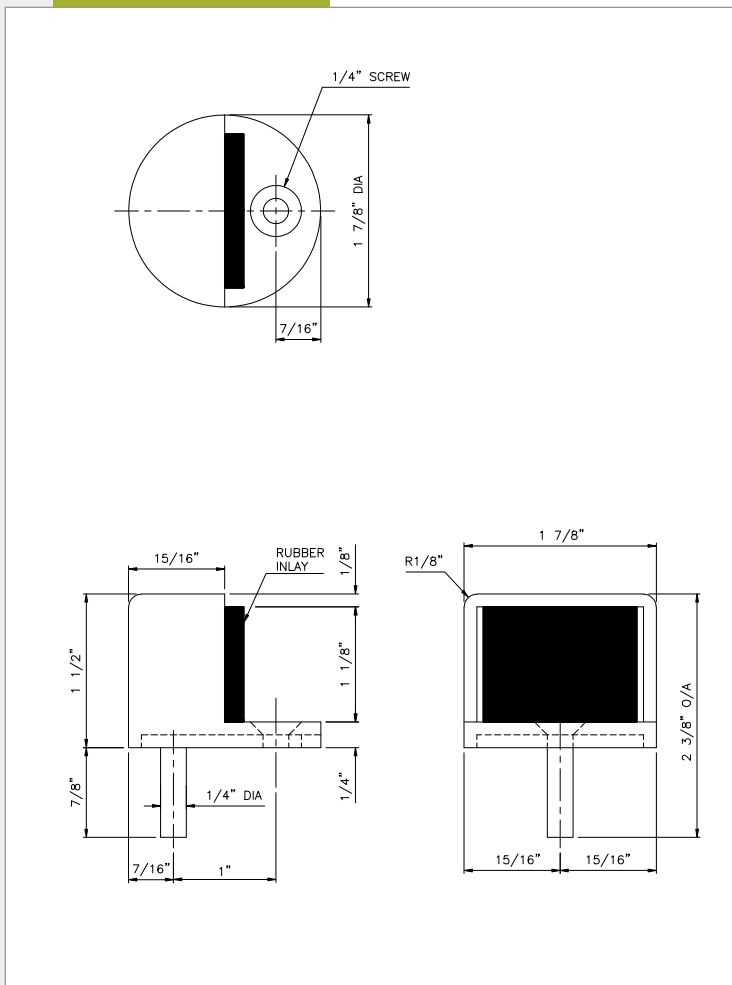
- Zinc Die Cast
- C3 and C26D



## GSH 209 HIGH & LOW RISE, SPRING LOADED STOP



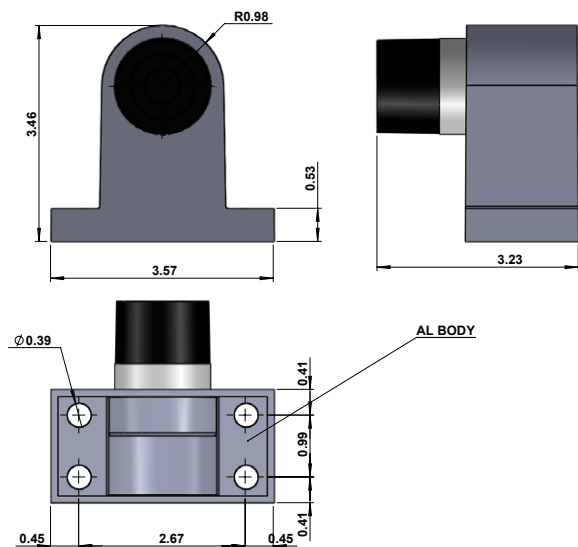
- Cast
- Fasteners included
- C3, C4, C10B, and C26D



## GSH 211



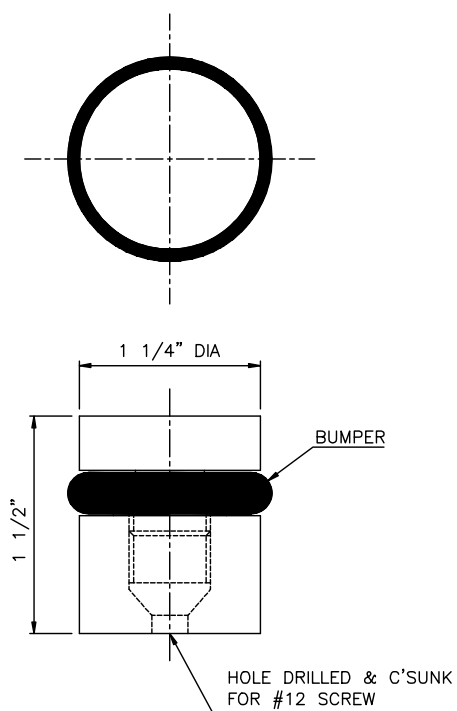
- Spring loaded floor stop that provides 3 degrees of door cushion
- Cushioning effect relieves stress on other door components
- 32D finish
- Ideal for high traffic areas as well as educational institutes
- Fasteners included



## GSH 210 DECORATIVE FLOOR STOP "NON-DIRECTIONAL"



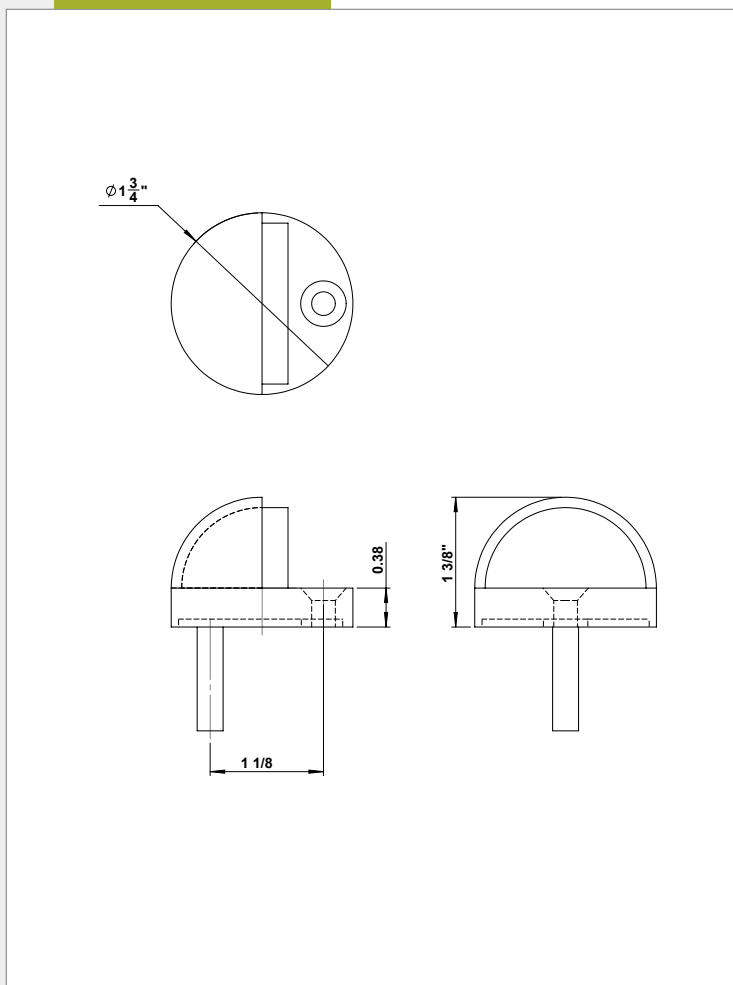
- Machined Brass
- Fasteners included
- C3 and C26



## GSH 218/218B/218S HIGH RISE FLOOR STOP



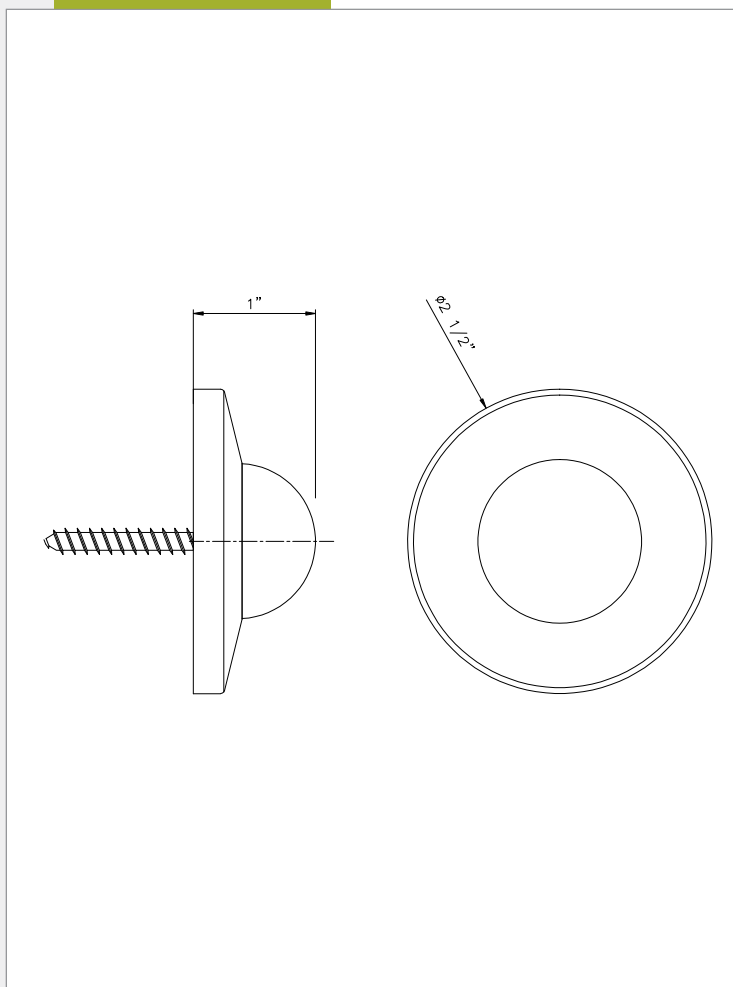
- Zinc Die Cast, Solid Brass, Solid Bronze, and Stainless Steel
- Fasteners Included
- C3, C4, C10, C10B, C26, C26D, and C32D



## GSH 240 WALL STOP



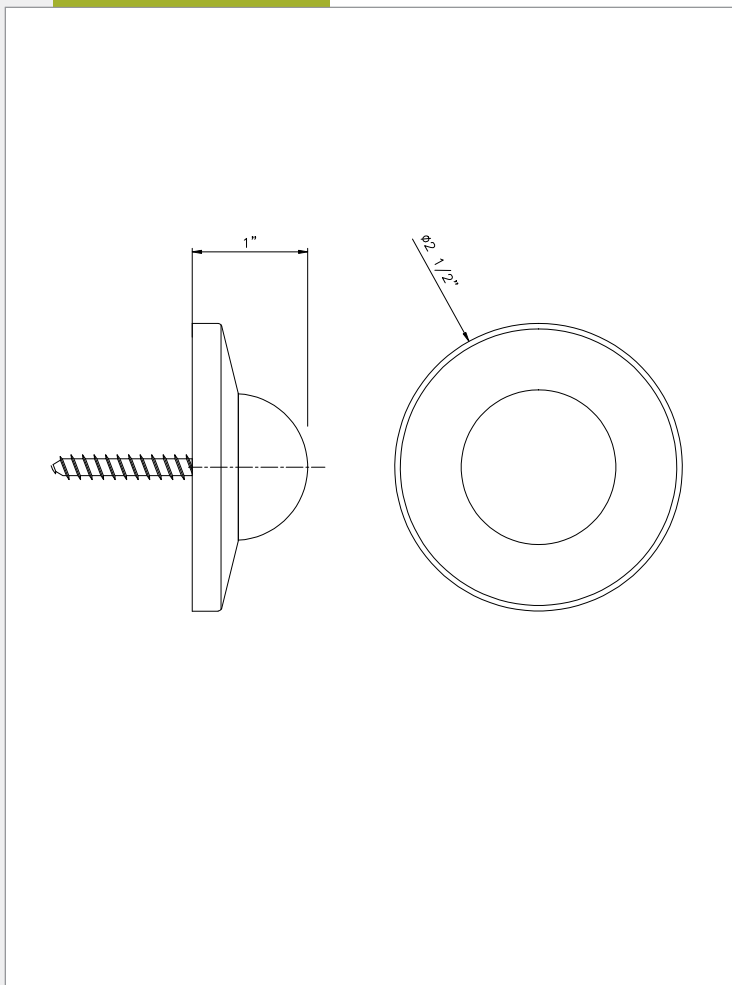
- Through the rubber mounting
- Fasteners Included
- C3, C4, C10, C10B, C26D, and C32D



## GSH 240B WALL STOP



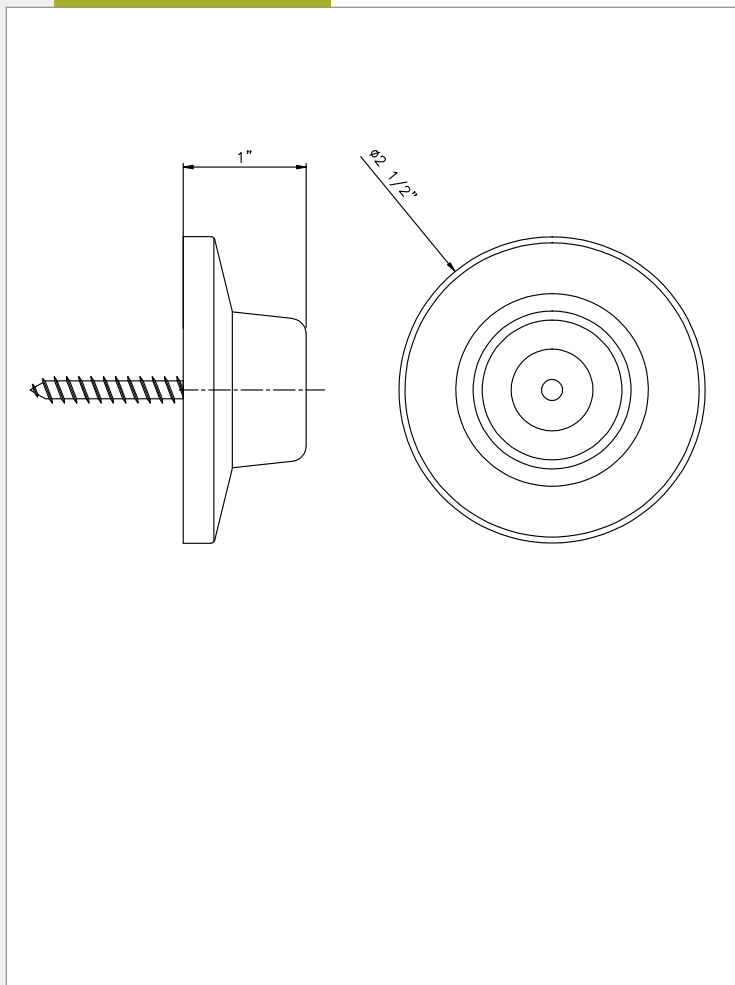
- Back Plate Mounting
- Fasteners Included
- C3, C4, C10, C10B, and C32D

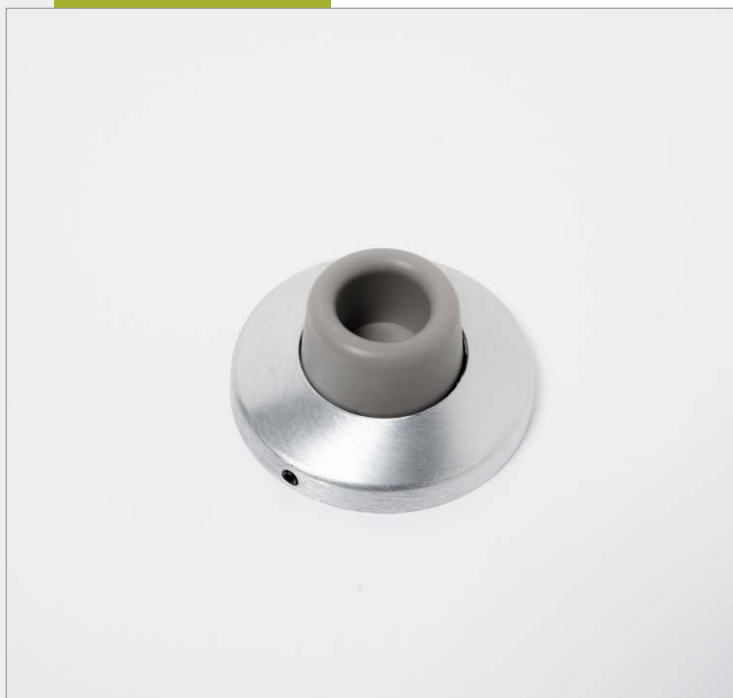


## GSH 250 WALL STOP

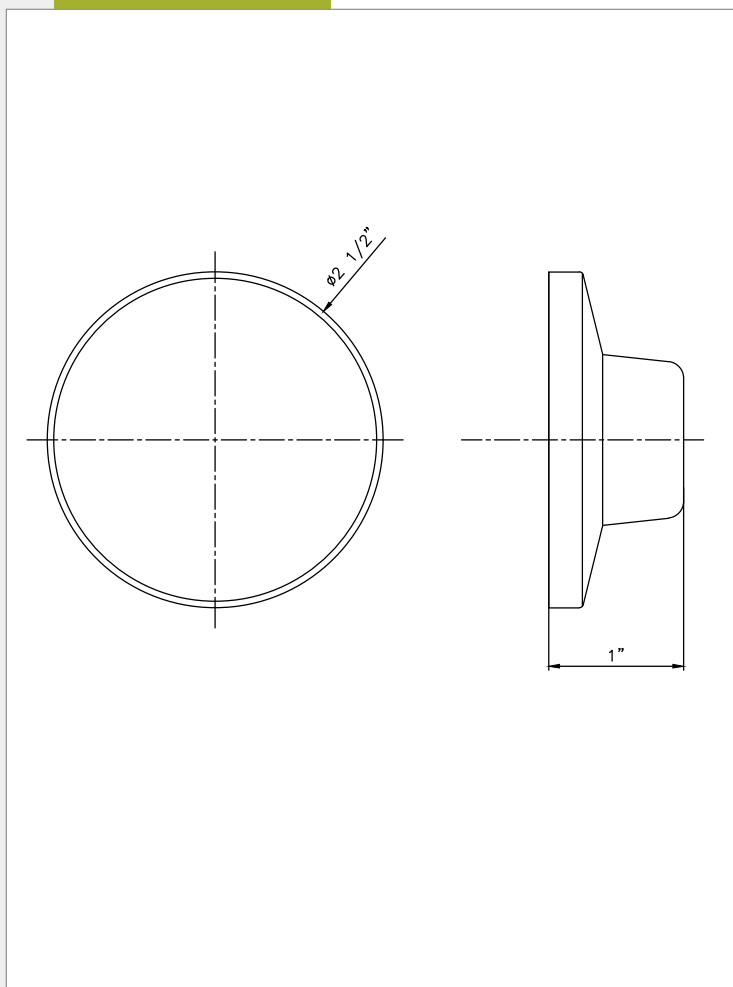


- Through the rubber mounting
- Fasteners included
- C3, C4, C10, C10B, C26D, and C32D



**GSH 250B WALL STOP**

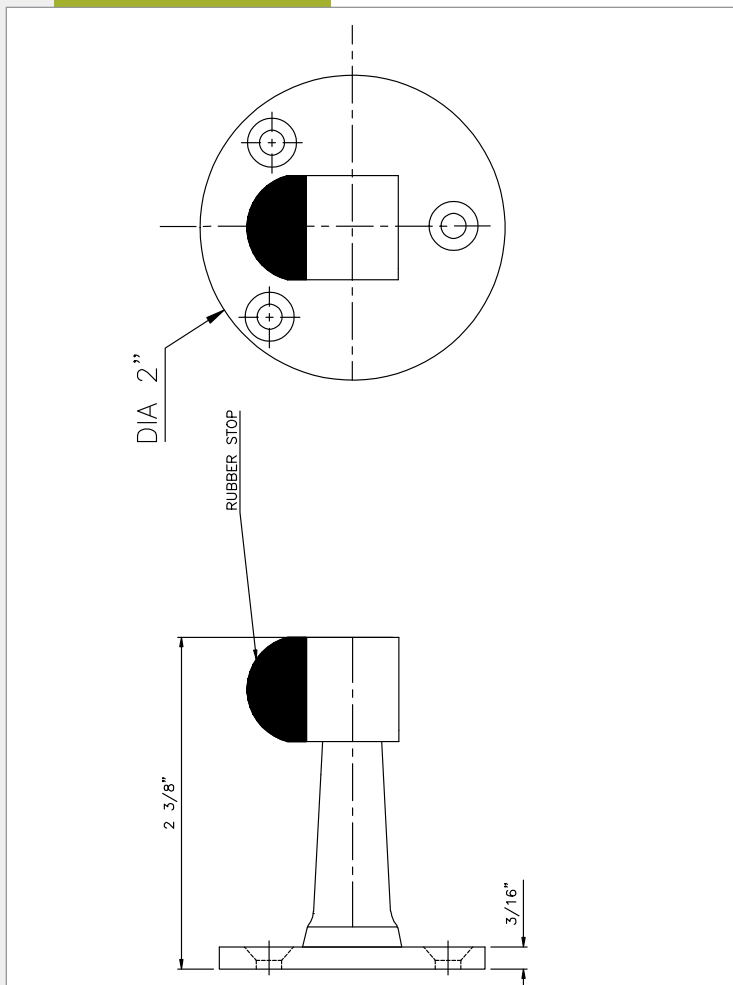
- Back Plate Mounting
- Fasteners Included
- C3, C4, C10, C10B, and C32D



## GSH 270X FLOOR STOP SOLID BRASS



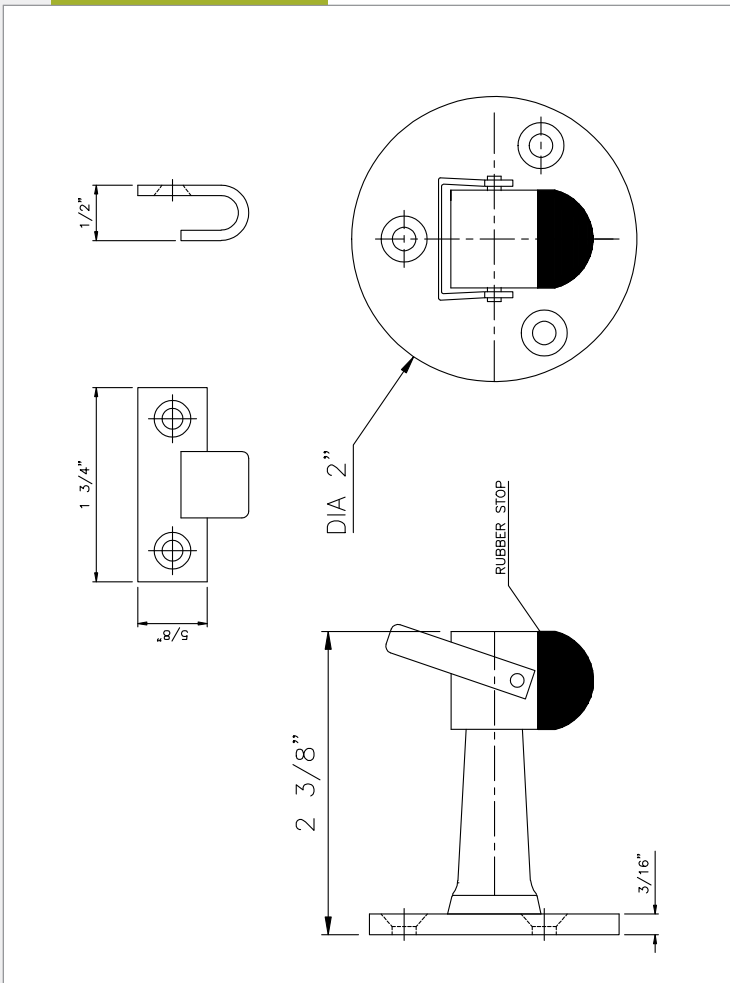
- Cast Brass and Bronze
- Fasteners Included
- C3, C4, C10, C10B, C26, and C26D



## GSH 270HX FLOOR STOP SOLID BRASS WITH HOLD OPEN



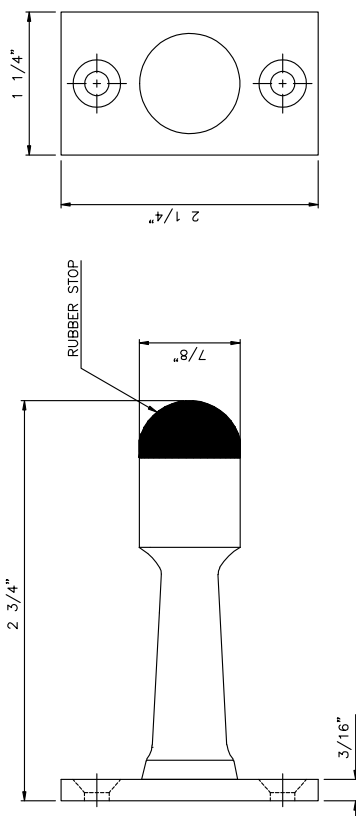
- Cast Brass and Bronze
- Fasteners Included
- C3, C4, C10, C10B, C26, and C26D



## GSH 272 FLOOR STOP SOLID BRASS



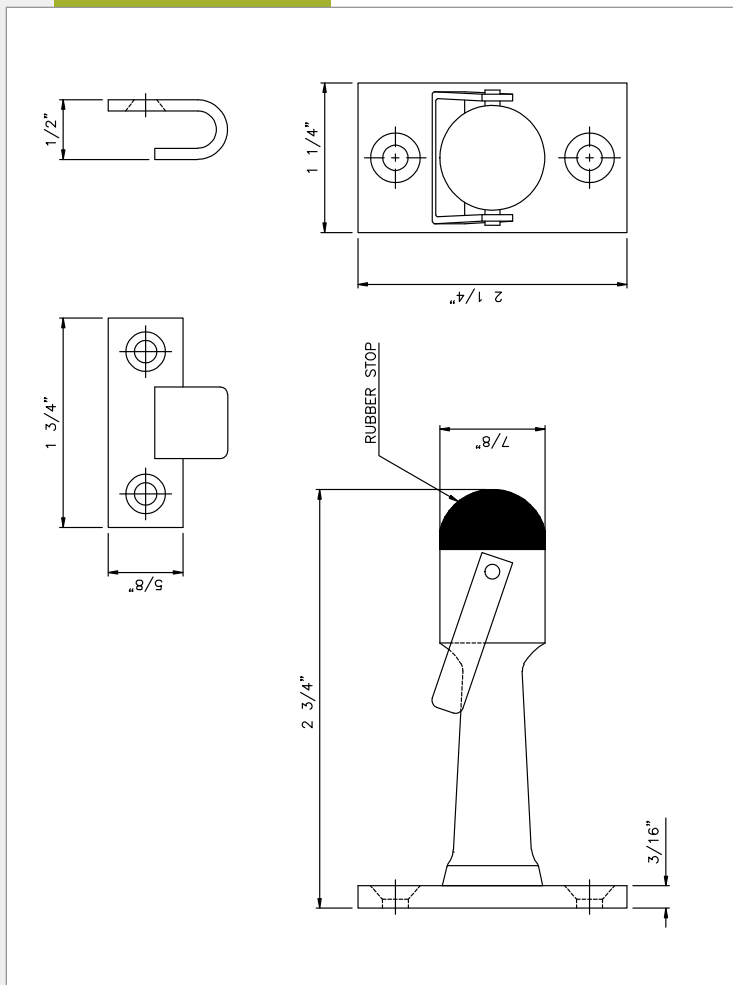
- Cast Brass
- Fasteners Included
- C26D



## GSH 272H FLOOR STOP SOLID BRASS WITH HOLD OPEN



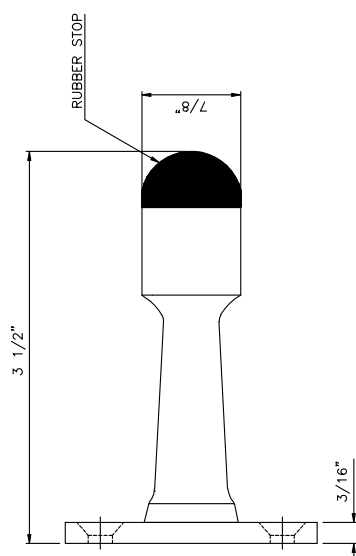
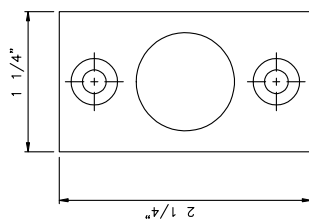
- Cast Brass
- Fasteners Included
- C26D



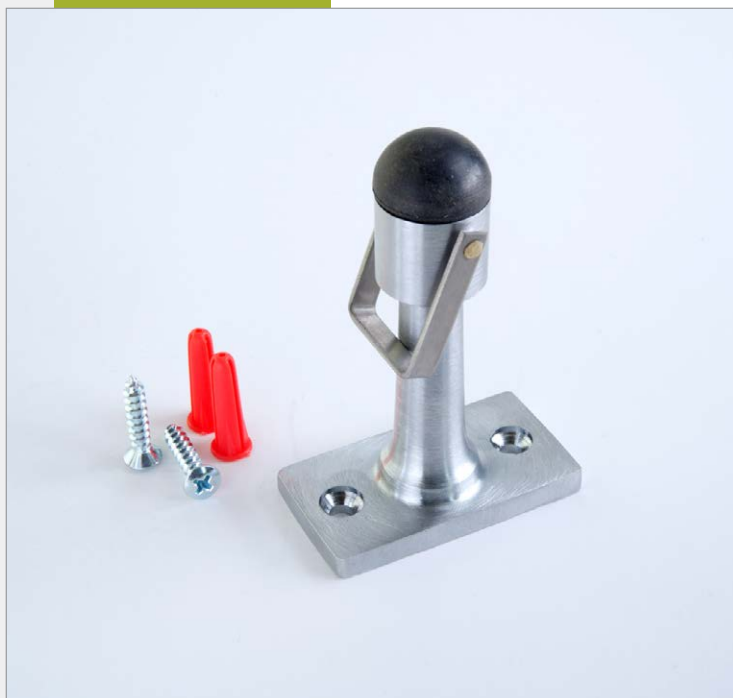
## GSH 273 FLOOR STOP SOLID BRASS



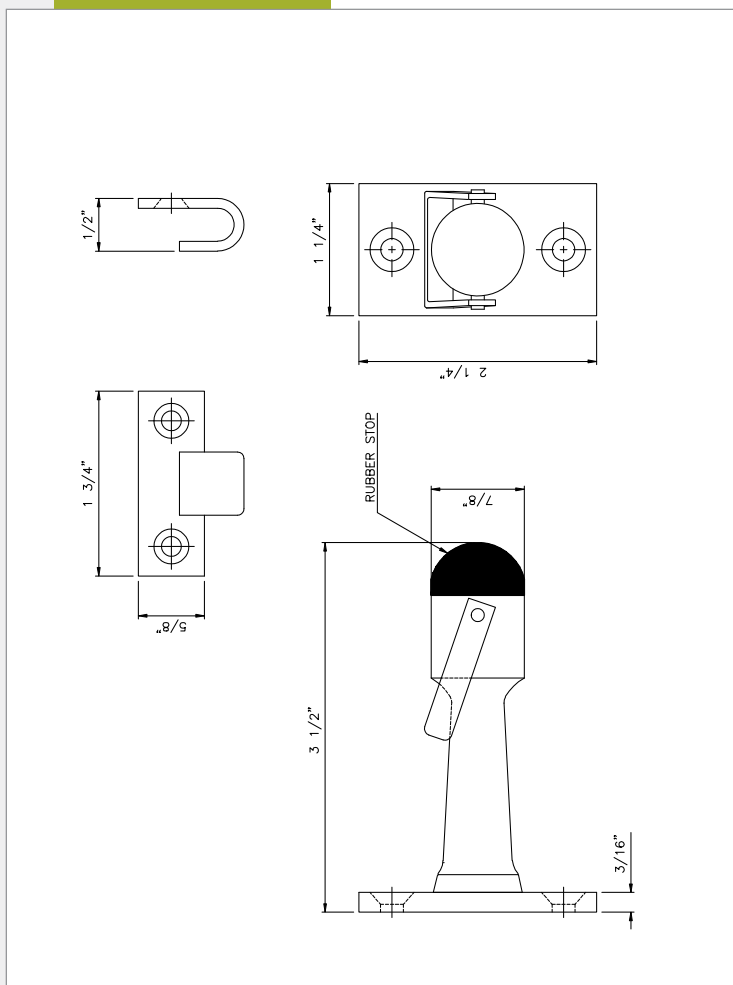
- Cast Brass
- Fasteners Included
- C26D



## GSH 273H FLOOR STOP SOLID BRASS WITH HOLD OPEN



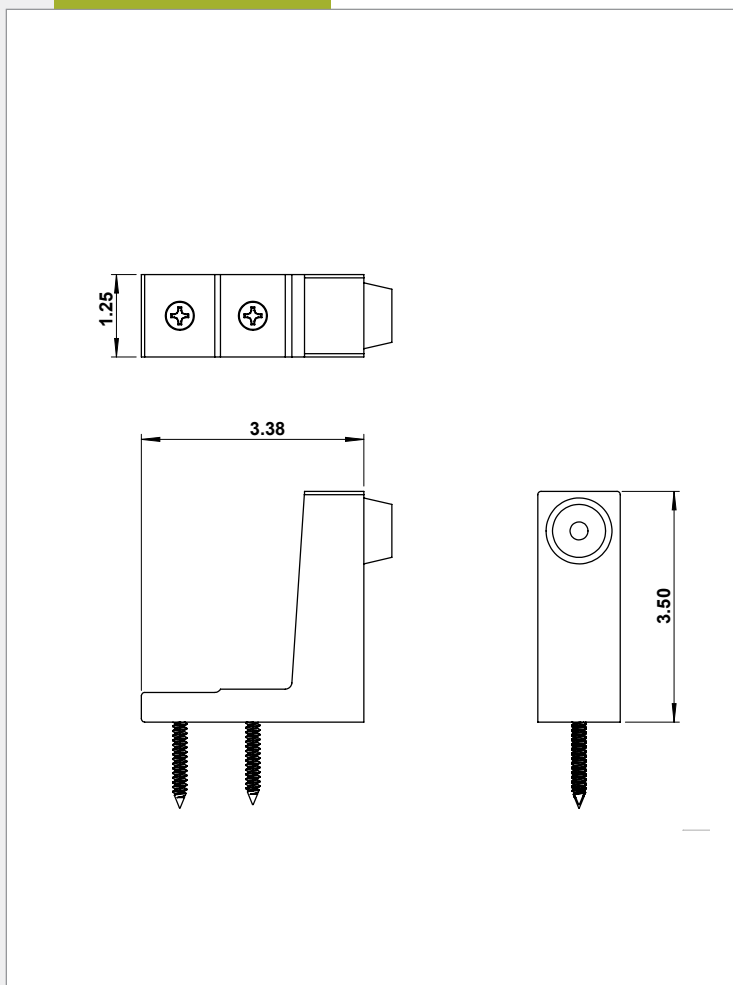
- Cast Brass
- Fasteners Included
- C26D



## GSH 280A HEAVY DUTY FLOOR STOP



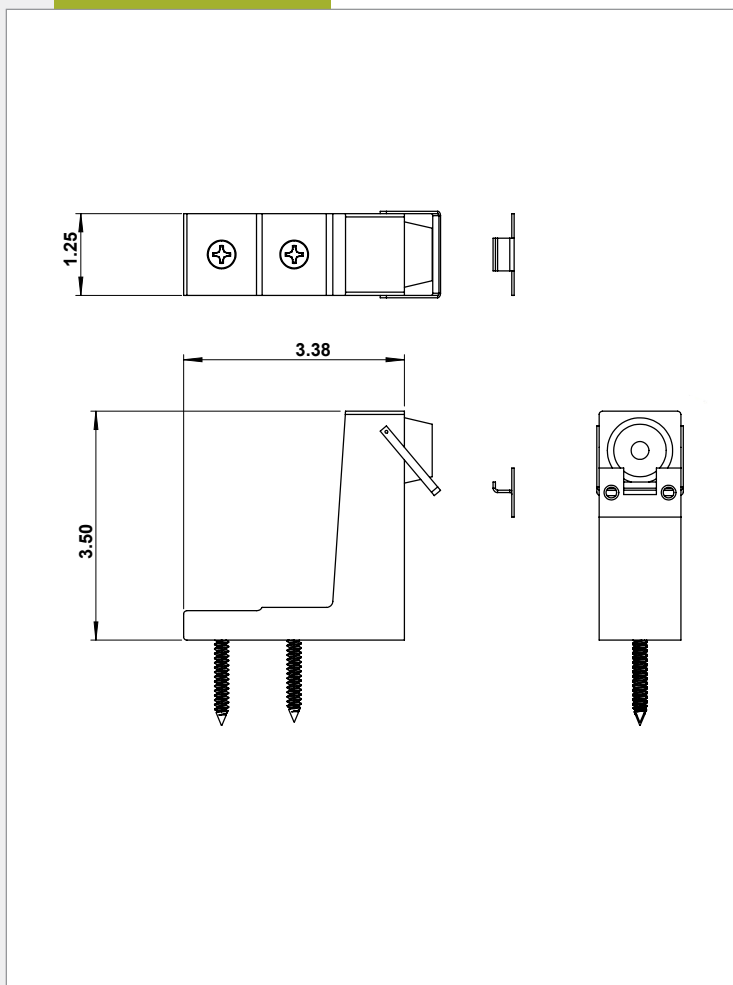
- Cast Brass and Bronze
- Fasteners Included
- C3, C4, C10, C10B, C26, and C26D



## GSH 280AH HEAVY DUTY FLOOR STOP WITH HOLD OPEN



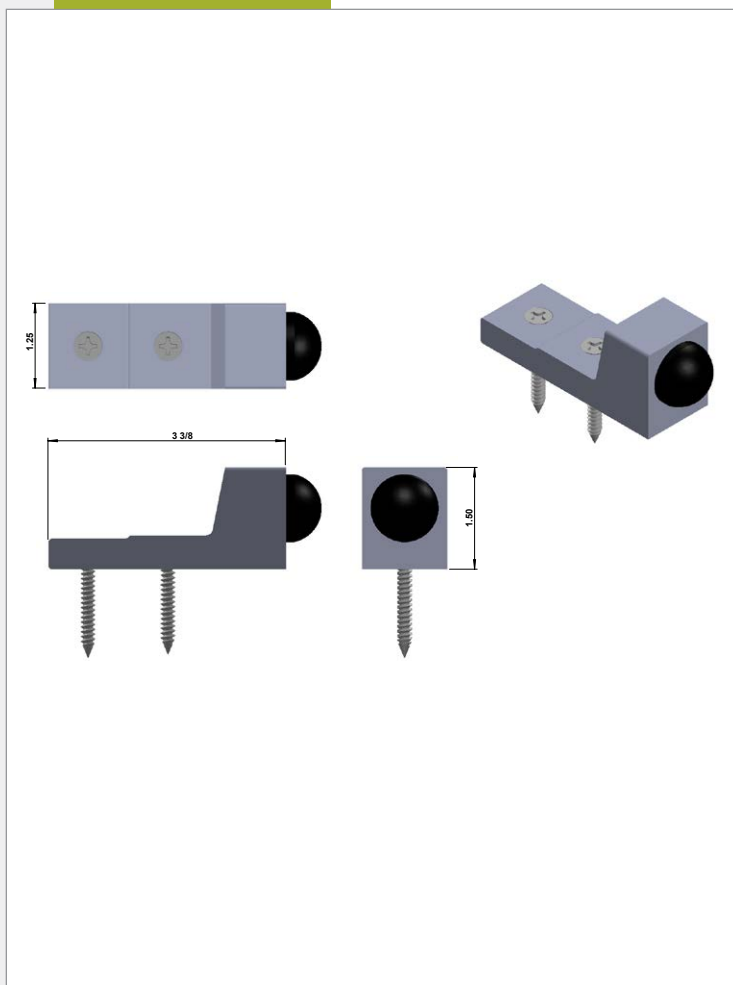
- Cast Brass and Bronze
- Fasteners Included
- C3, C4, C10, C10B, C26, and C26D



## GSH 280B HEAVY DUTY FLOOR STOP



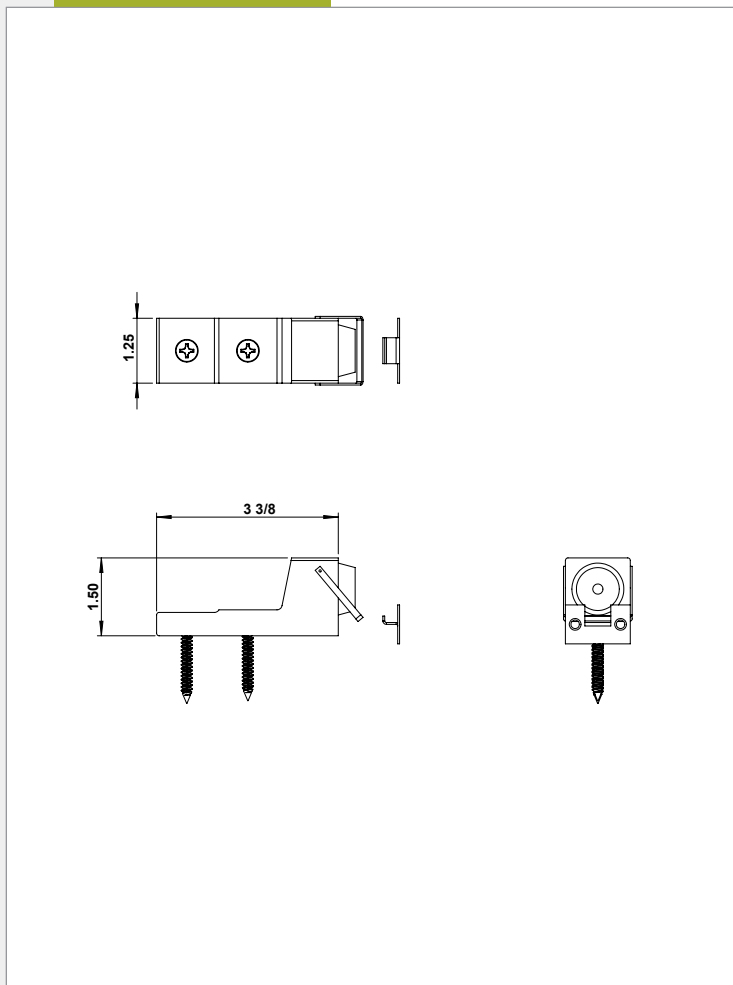
- Cast Brass, Bronze or Aluminum
- Fasteners Included
- C3, C4, C10, C10B, C26D, and C28



## GSH 280BH HEAVY DUTY FLOOR STOP WITH HOLD OPEN



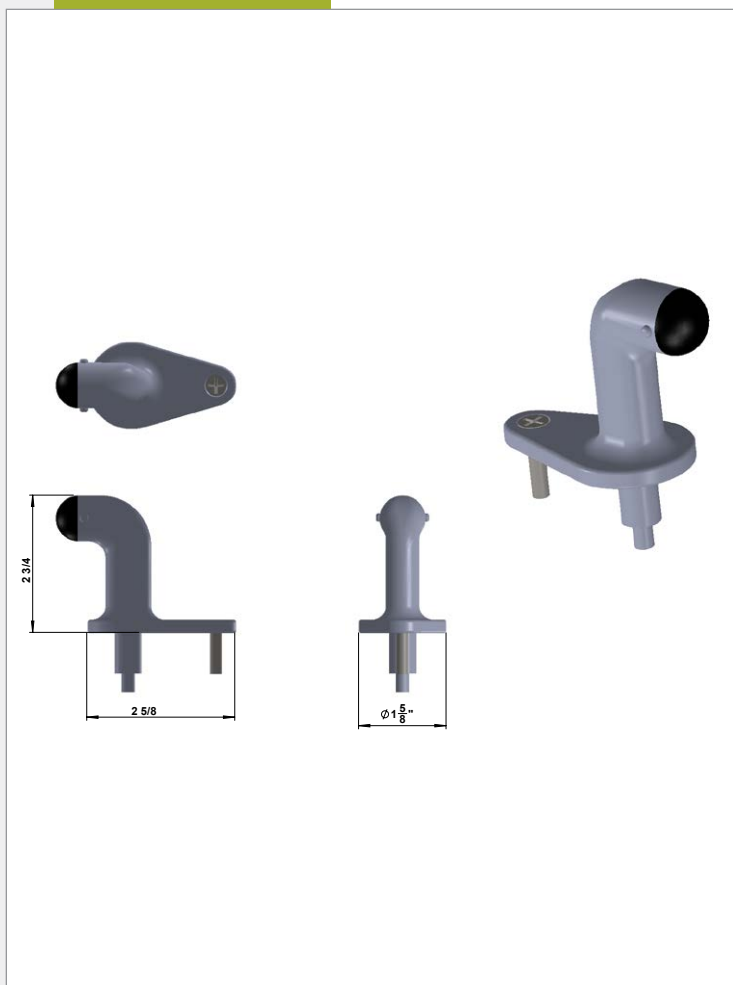
- Cast Brass, Bronze or Aluminum
- Fasteners Included
- C3, C4, C10, C10B, C26, C26D, and C28



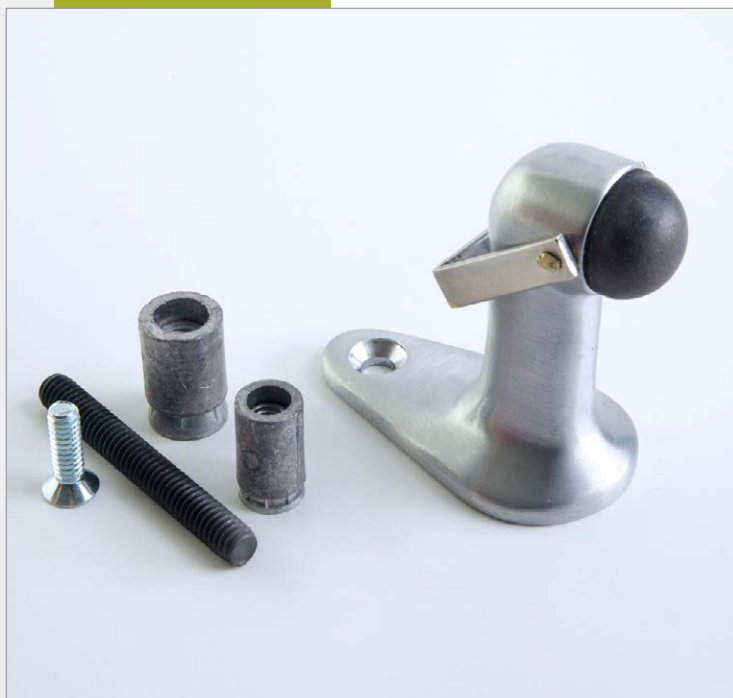
## GSH 281 HEAVY DUTY FLOOR STOP



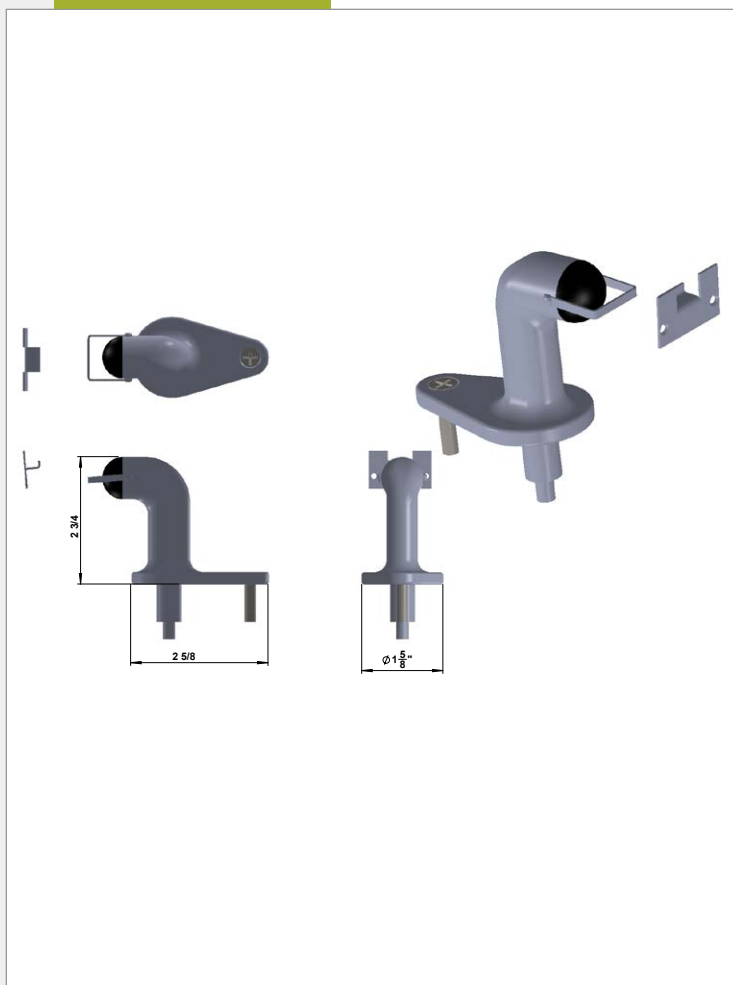
- Cast Brass, Bronze, and Aluminum
- Fasteners Included
- C3, C4, C10, C10B, C26D, and C28



## GSH 281H HEAVY DUTY FLOOR STOP WITH HOLD OPEN

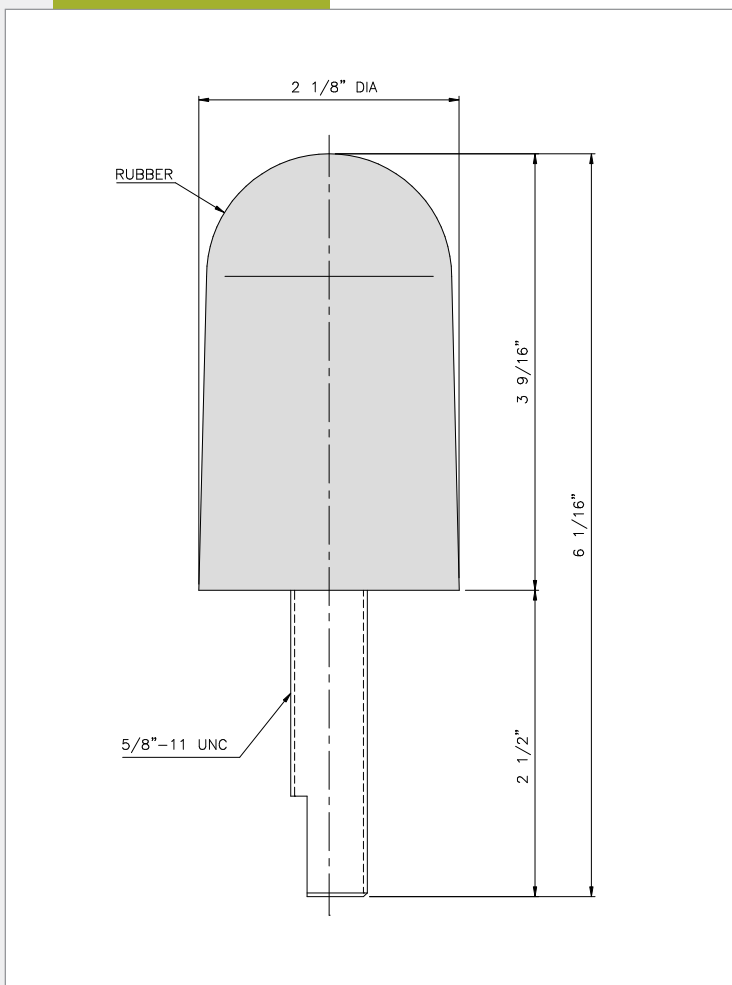


- Cast Brass, Bronze, and Aluminum
- Fasteners Included
- C3, C4, C10, C10B, C26D, and C28



**GSH 282 HEAVY DUTY PRISON STOP**

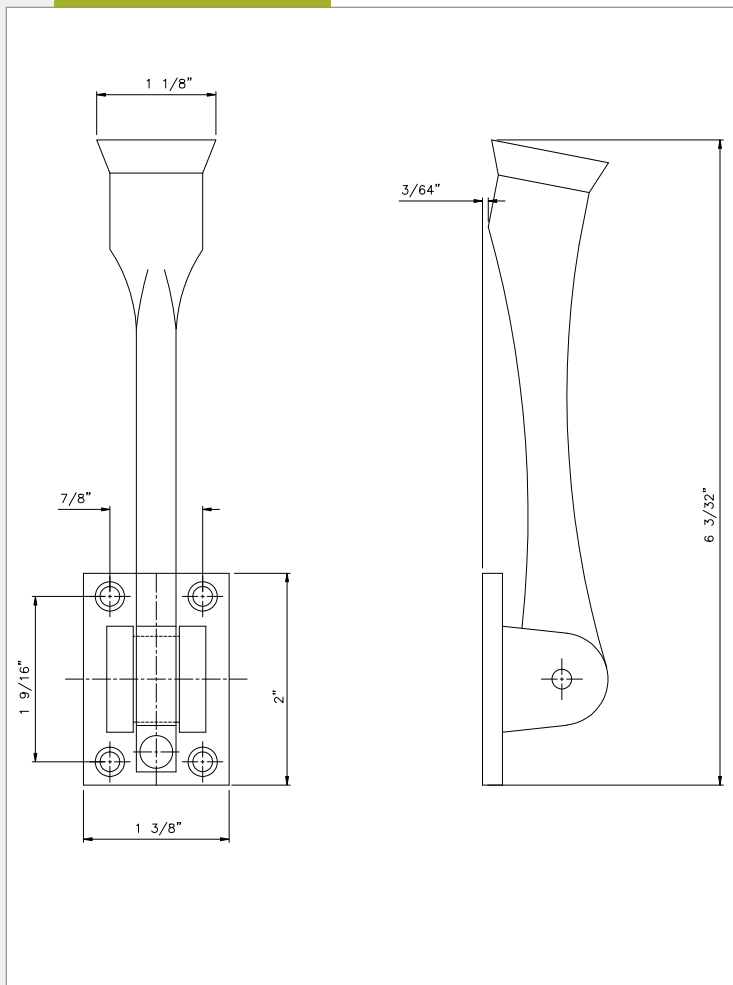
- Black



## GSH 289A/289B DOOR HOLDER-SOLID BRASS

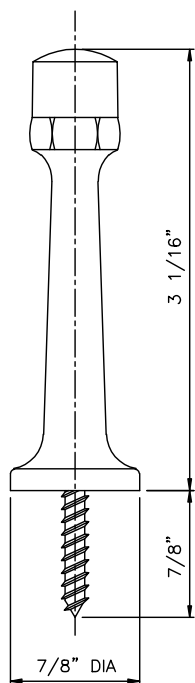


- 289A Zinc Die Cast
- Fasteners Included
- C26D
- 289B Cast Brass and Bronze
- Fasteners Included
- C3, C4, C10, C10B, C26D



**GSH 291 3" BASE BOARD STOP**

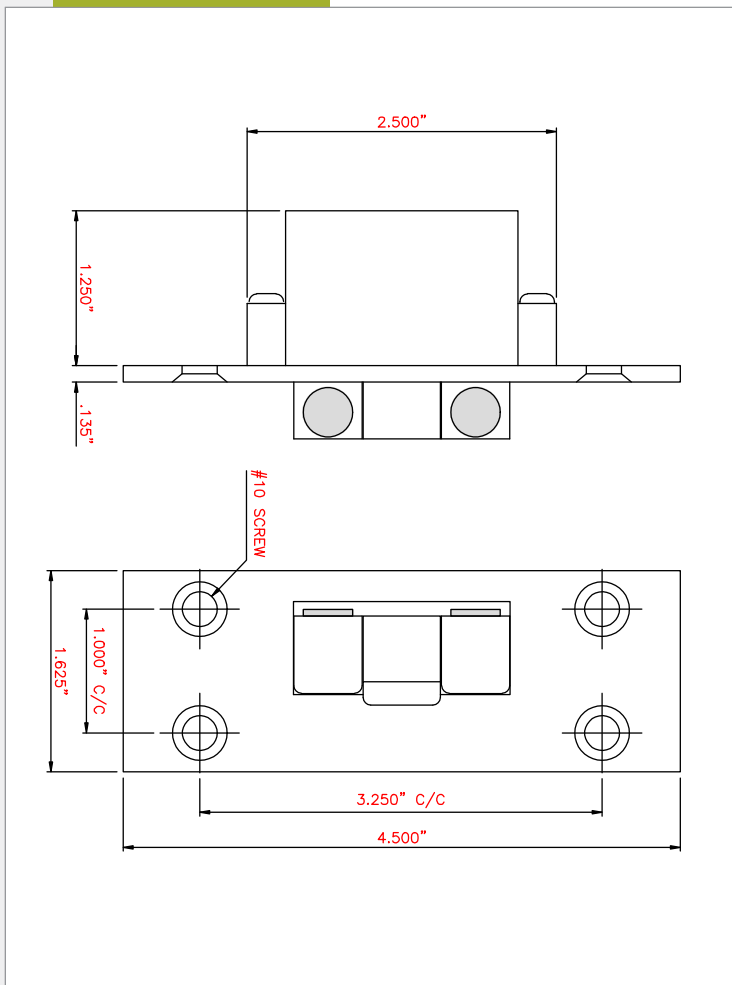
- Cast Brass
- Hanger Screw Included
- C3 and C26D



## GSH 299 EMERGENCY STOP



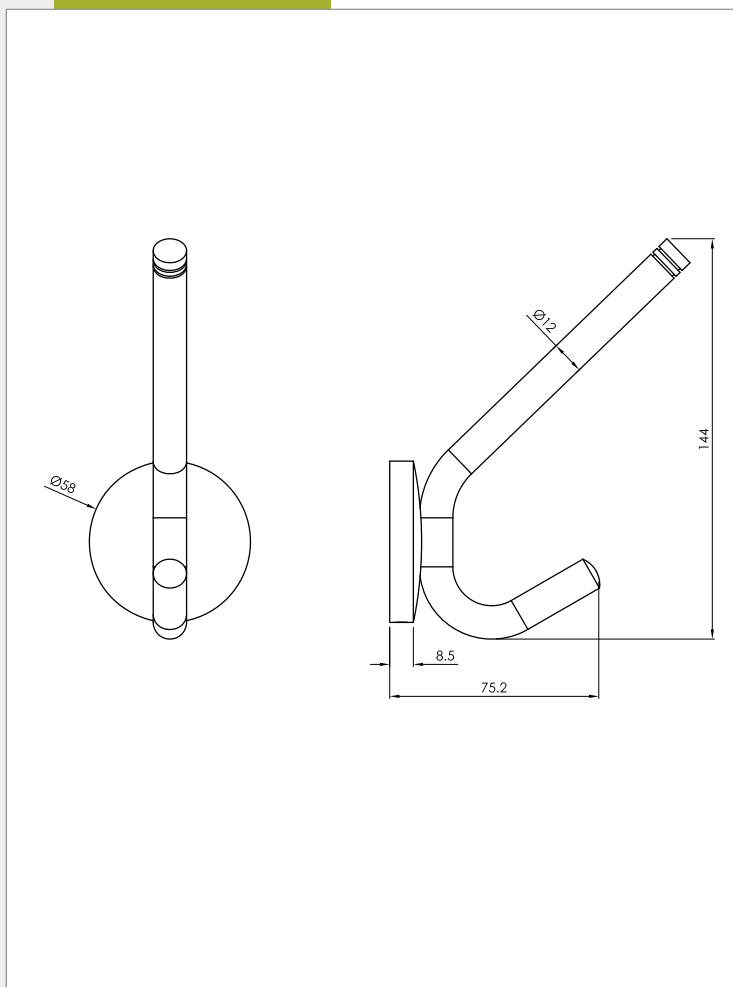
- 32D finish



## GSH 320A COAT HOOK

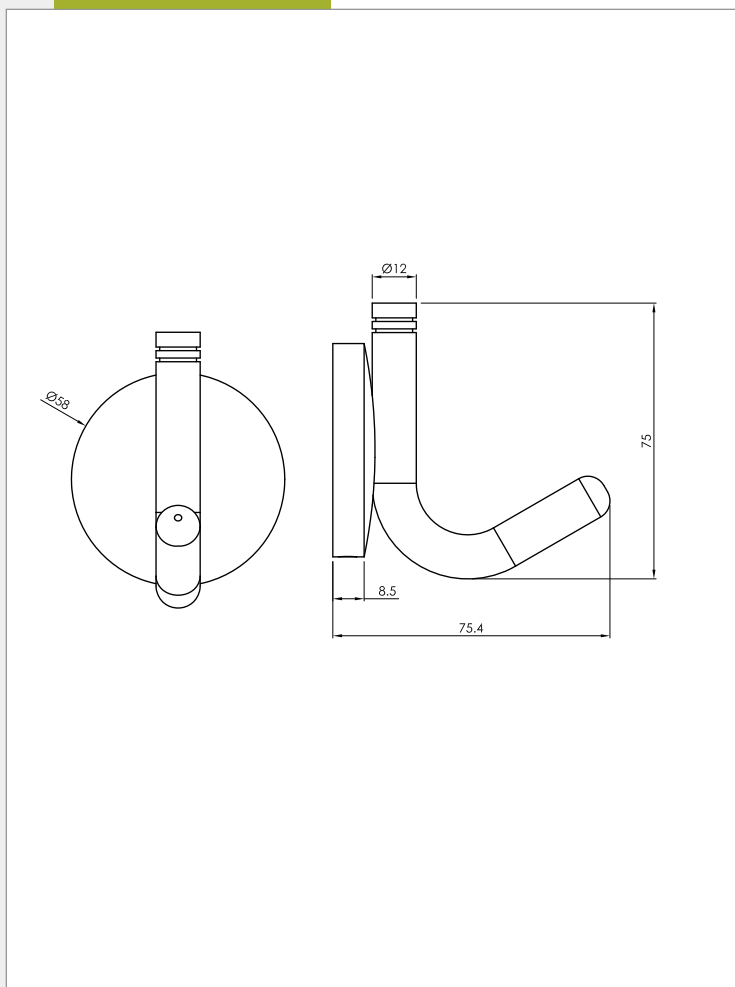


- Stainless Steel
- Concealed mounting
- C32D and C32



**GSH 320B COAT HOOK**

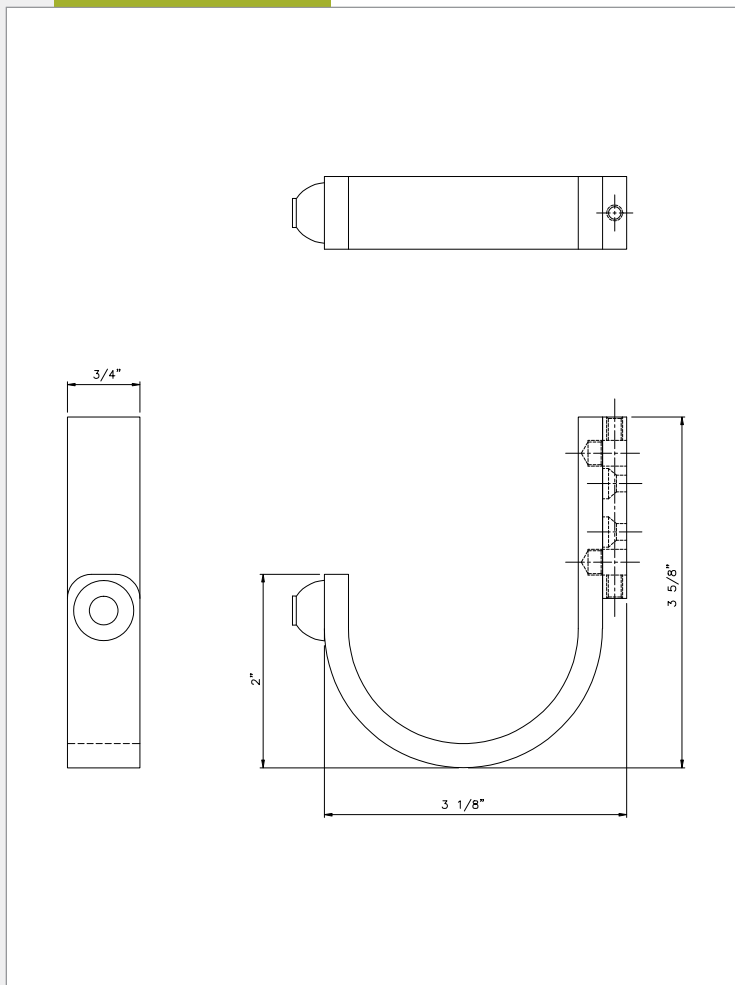
- Stainless Steel
- Concealed mounting
- C32D and C32



## GSH 358A COAT HOOK CON. MTG. C/W WITH BUMPER

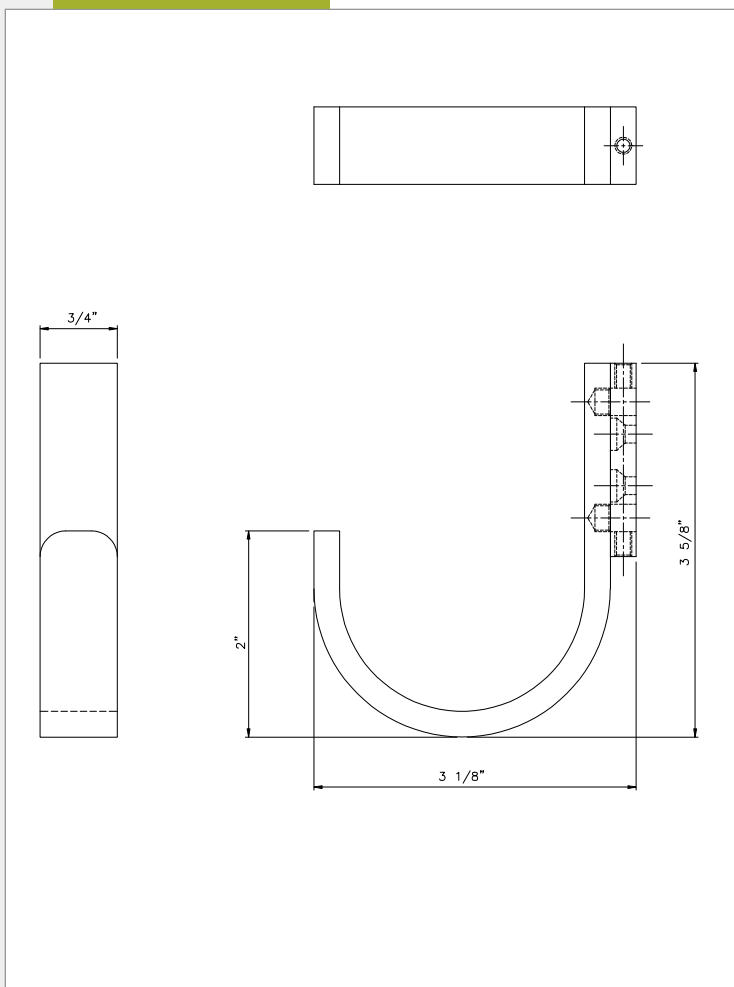


- Wrought Brass
- C3, C4, C26, and C26D



**GSH 358B COAT HOOK CONCEALED MOUNTING**

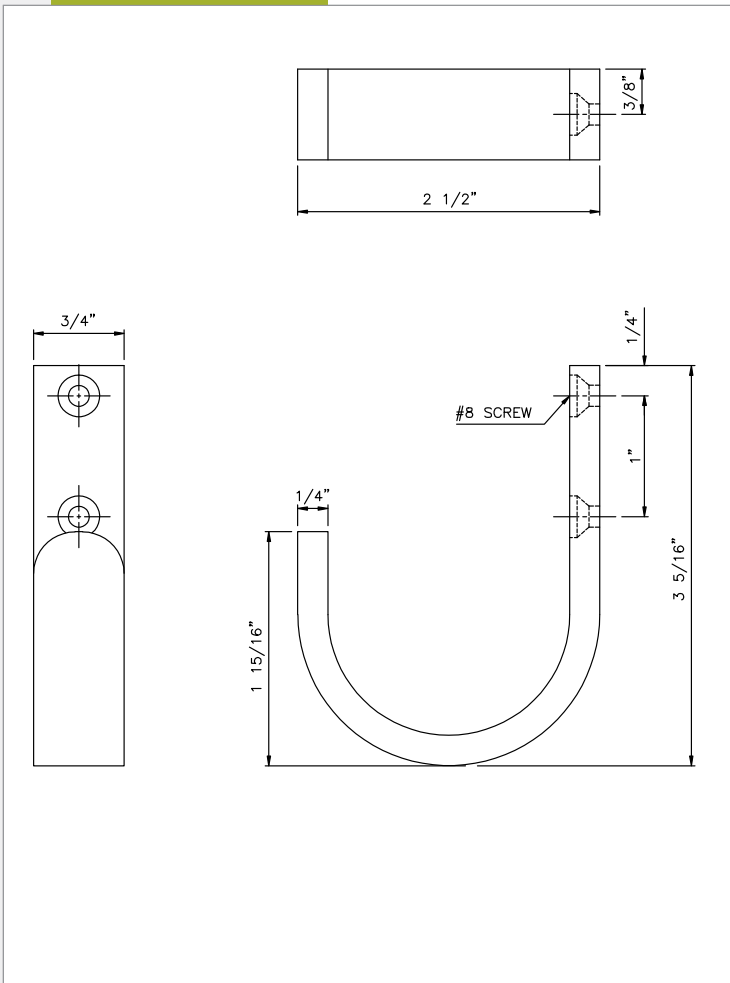
- Wrought Brass
- C3, C4, C26, and C26D



## GSH 358C COAT HOOK SURFACE MOUNTING

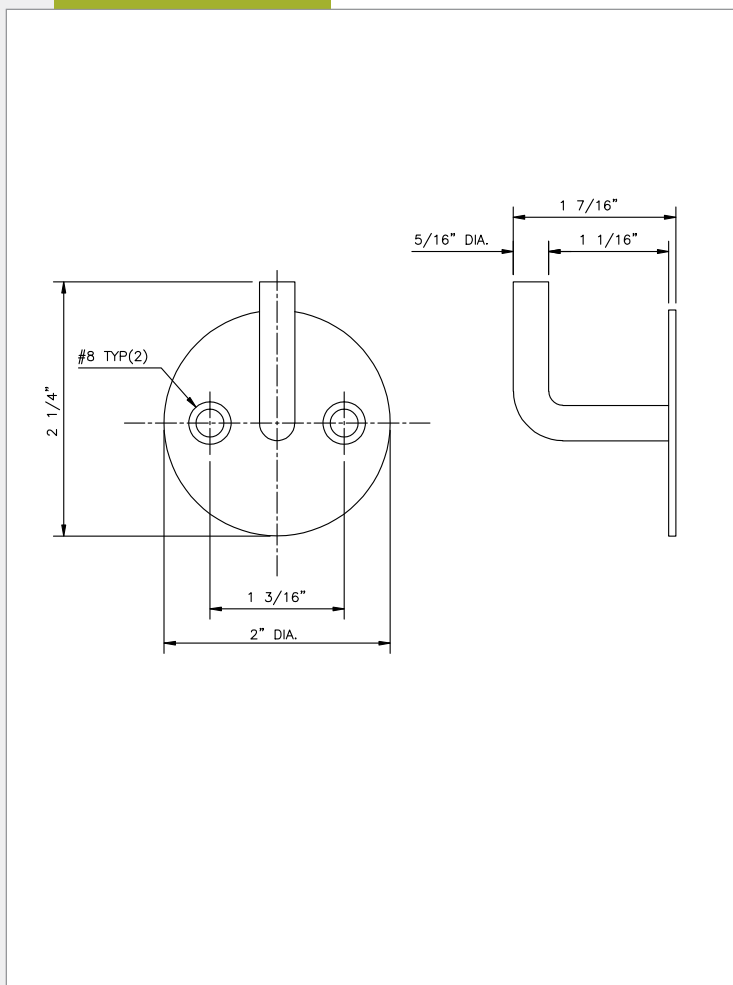


- Wrought Brass
- C3, C4, C26, and C26D



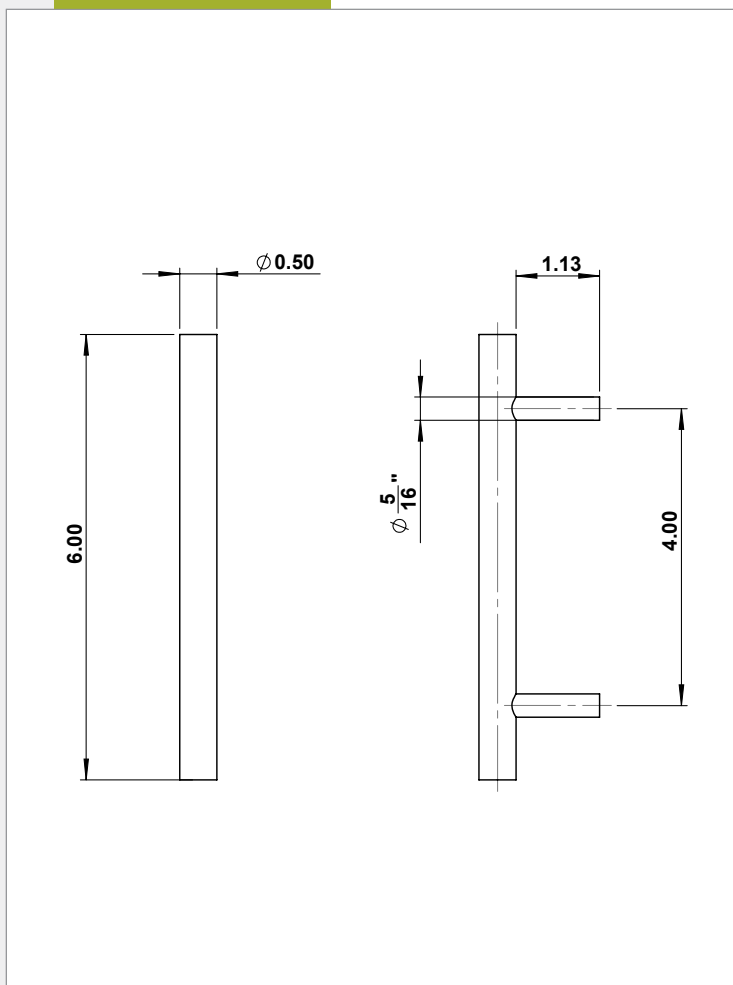
## GSH 359 COAT HOOK

- Plated
- C26D



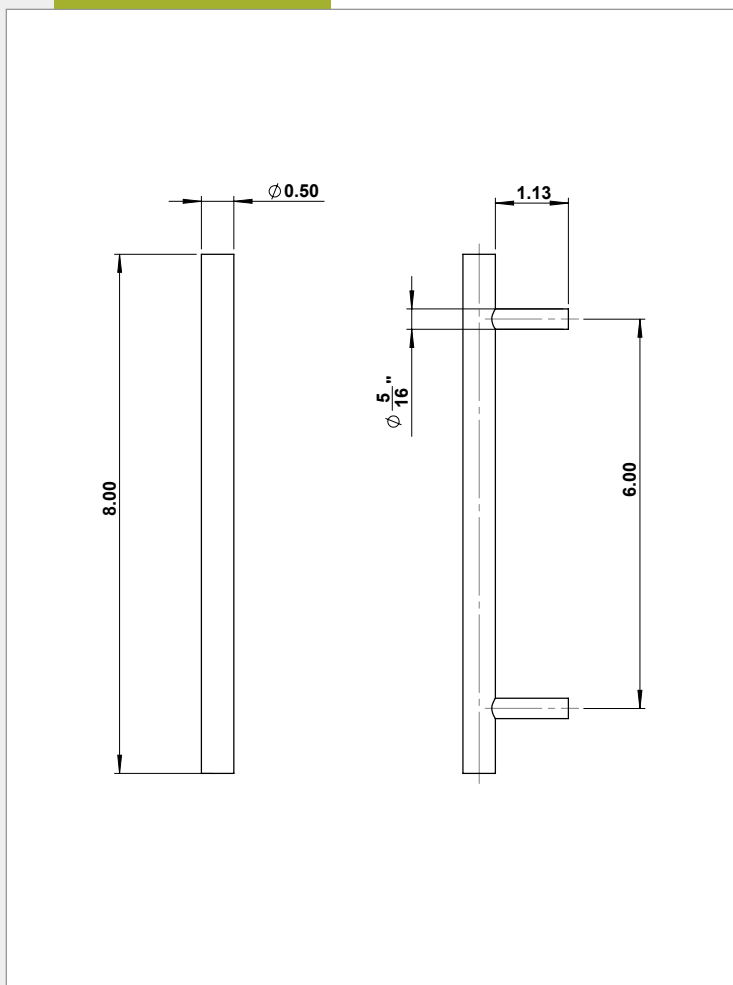
**GSH 360A CABINET PULL 6" O/A 4" C/C 1/2" DIAMETER**

- Stainless Steel Bar Stock
- Screws Included
- C32D



**GSH 360B CABINET PULL 8" O/A 6" C/C 1/2" DIAMETER**

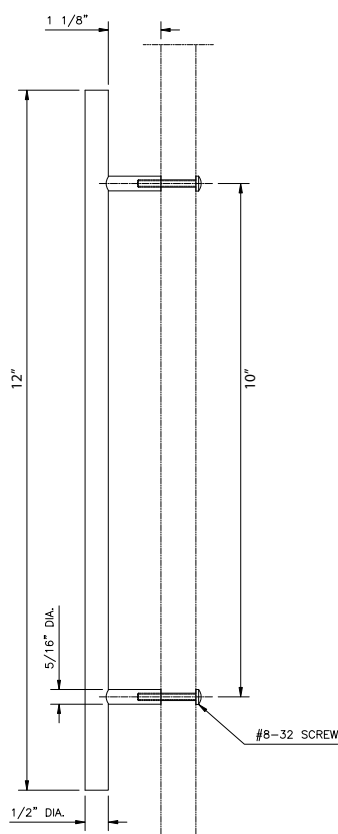
- Stainless Steel Bar Stock
- Screws Included
- C32D



## GSH 360C CABINET PULL 12" O/A 10" C/C 1/2" DIAMETER

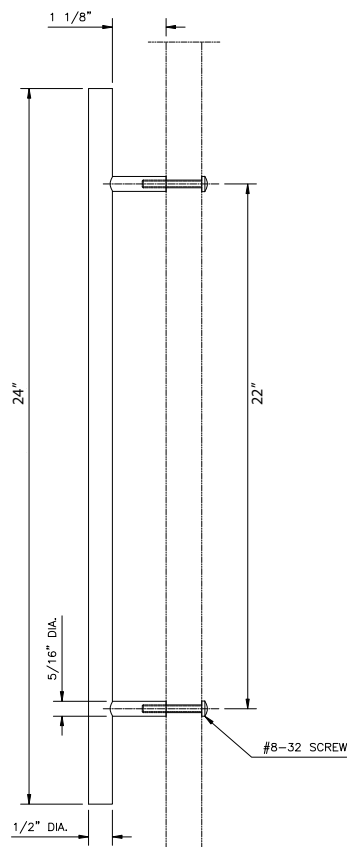


- Stainless Steel Bar Stock
- Screws Included
- C32D



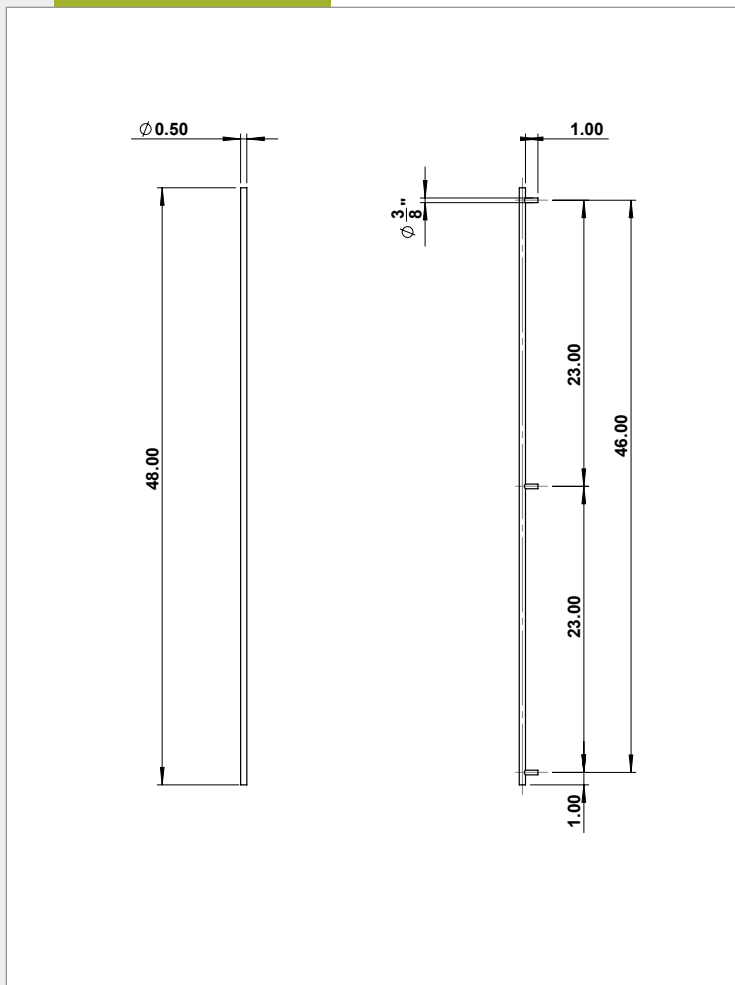
**GSH 360D CABINET PULL 24" O/A 22" C/C 1/2" DIAMETER**

- Stainless Steel Bar Stock
- Screws Included
- C32D



**GSH 360E CABINET PULL 48" O/A 46" C/C 1/2" DIAMETER**

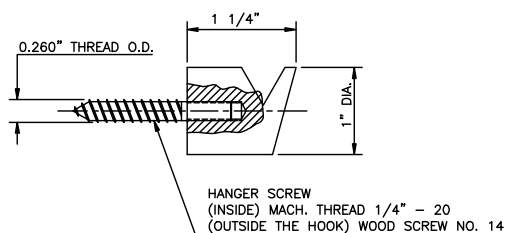
- Stainless Steel Bar Stock
- Screws Included
- C32D



## GSH 390 COAT HOOK SINGLE GROOVE



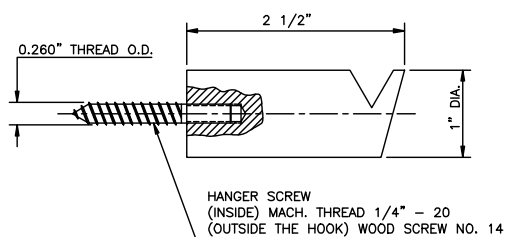
- Solid Bar Stock
- Hanger Screw Included
- C3, C4, C26, and C26D



## GSH 391 COAT HOOK SINGLE GROOVE



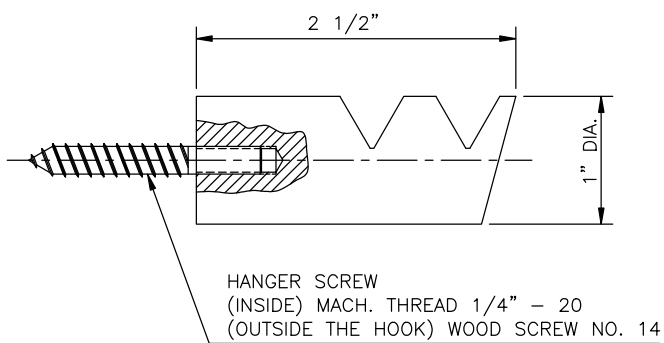
- Solid Bar Stock
- Hanger Screw Included
- C3, C4, C26, and C26D



## GSH 392 COAT HOOK DOUBLE GROOVE

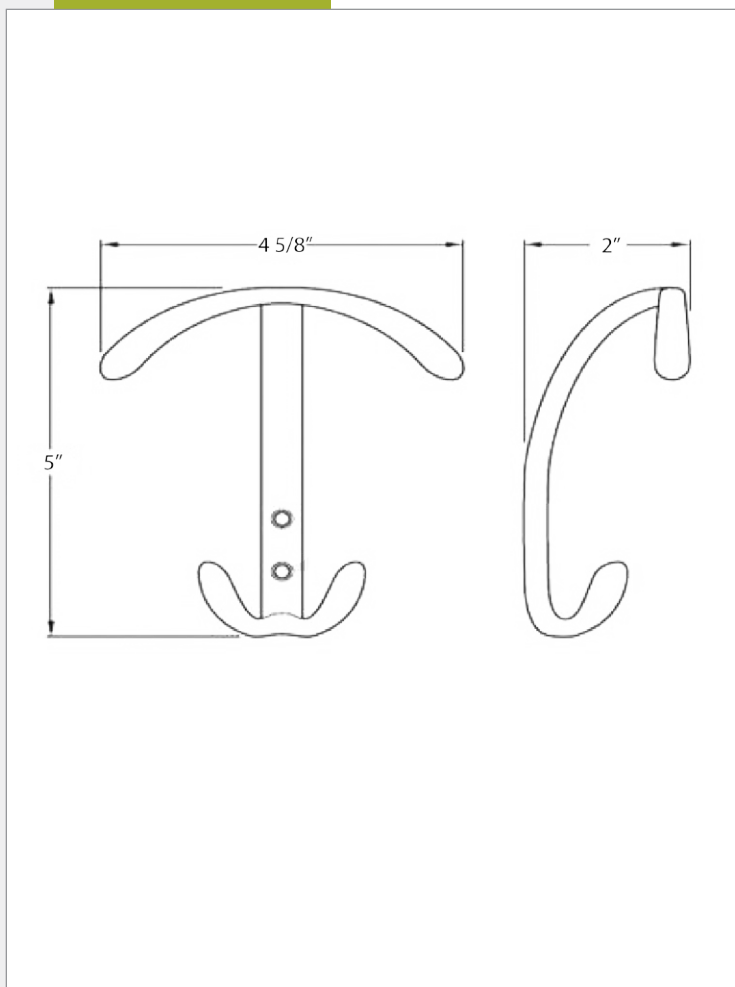


- Solid Bar Stock
- Hanger Screw Included
- C3, C4, C26, C26D and 32D



**GSH 306B COAT HOOK**

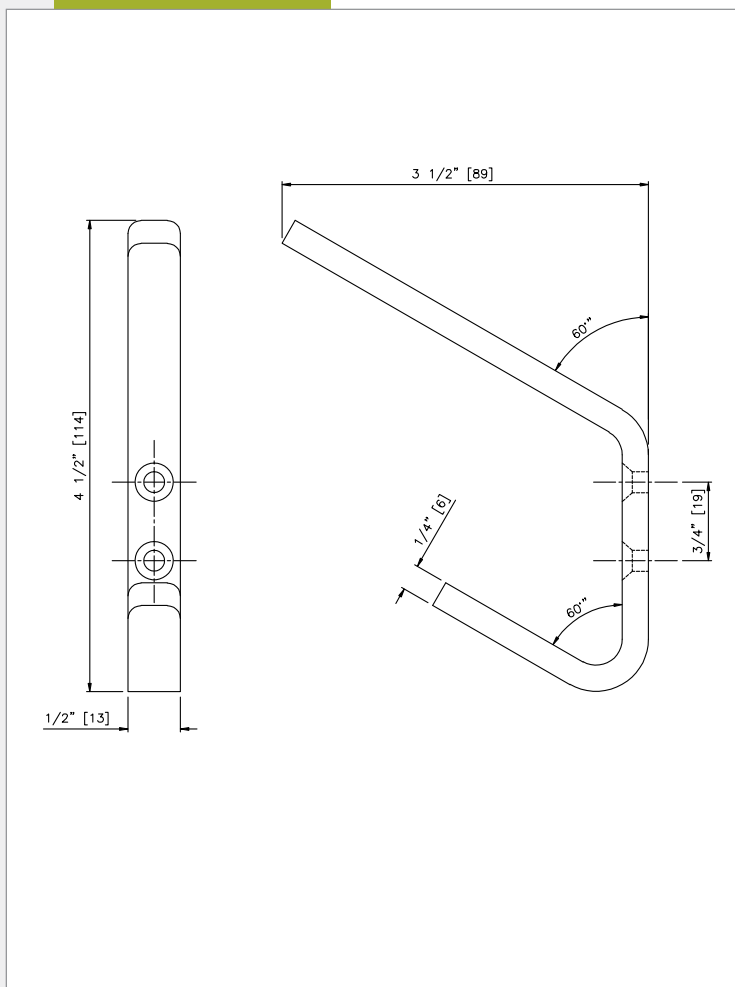
- Cast Brass
- C10, C10B and C26D



## GSH 307 COAT HOOK (DOUBLE)



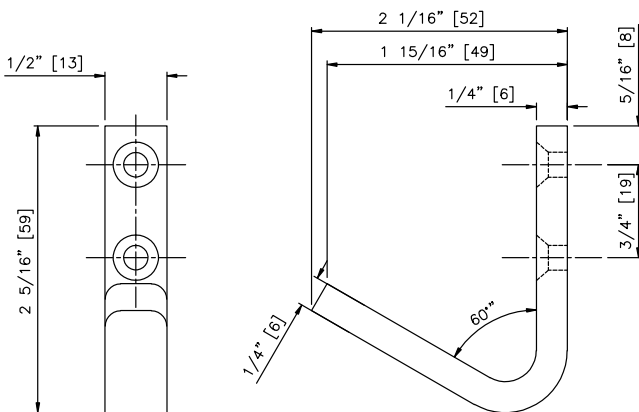
- Wrought Brass and Bronze
- C3, C4, C10, C10B, and C26D



## GSH 307B COAT HOOK (SINGLE)



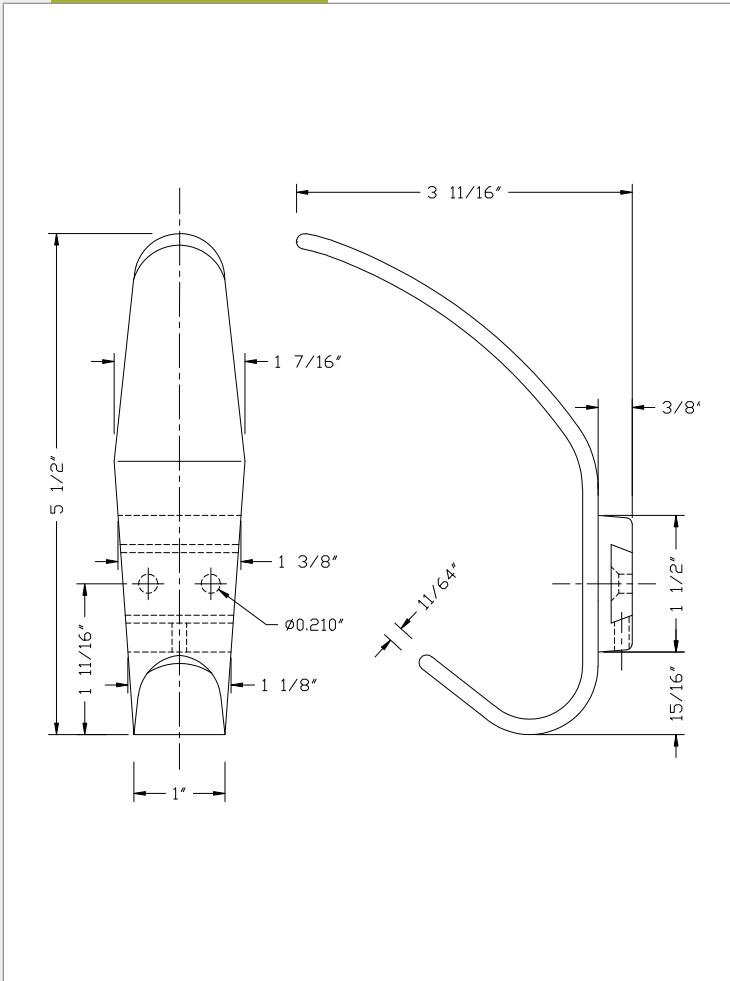
- Wrought Brass and Bronze
- C3, C4, C10, C10B, and C26D



## GSH 308B HAT AND COAT HOOK CONCEALED MOUNTING



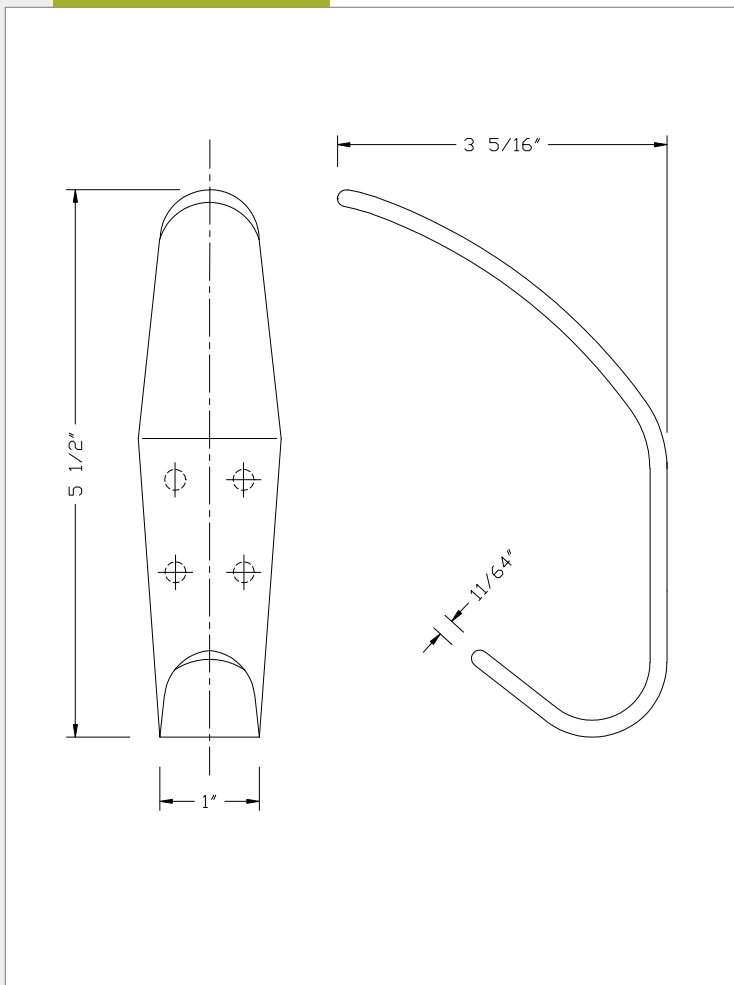
- Wrought Brass
- C3, C4, C26, and C26D



## GSH 308A HAT AND COAT HOOK SURFACE MOUNTING



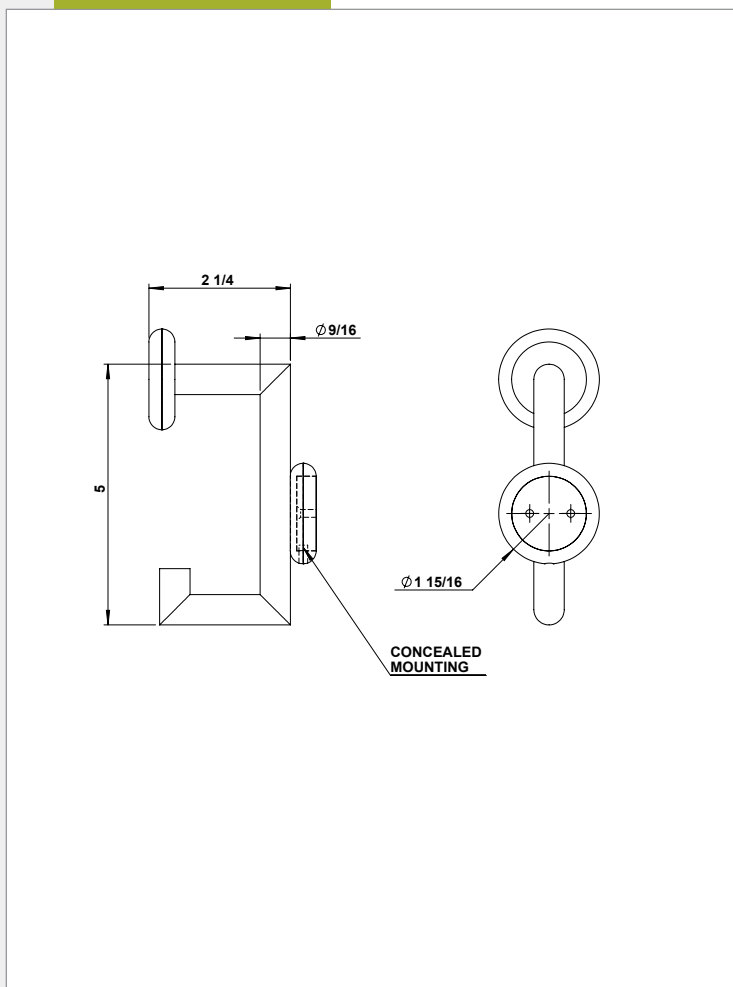
- Wrought Brass and Bronze
- C3, C4, C10, C10B, C26, and C26D

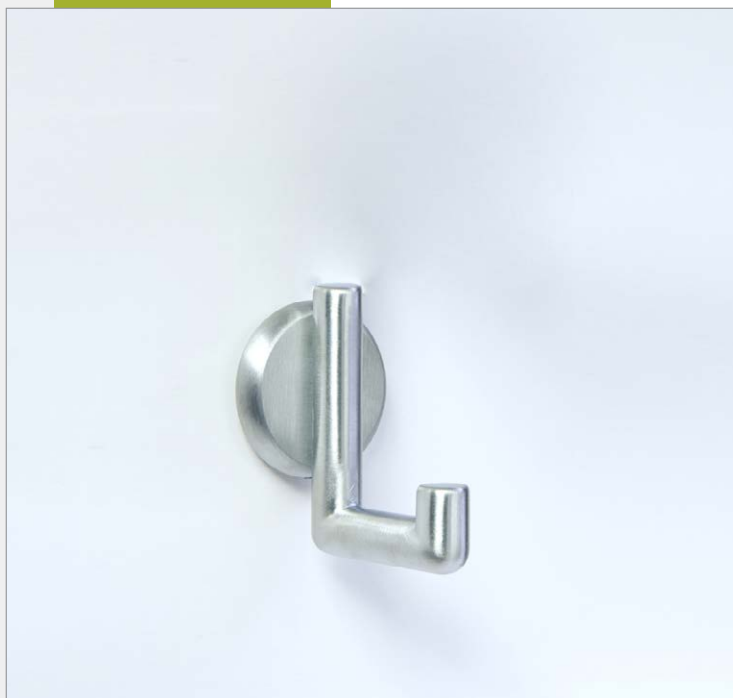


## GSH 309 COAT HOOK (DOUBLE)

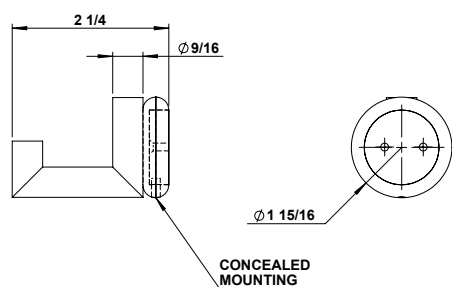


- Wrought Brass
- Concealed Mounting
- C4 and C26D



**GSH 309B COAT HOOK (SINGLE)**

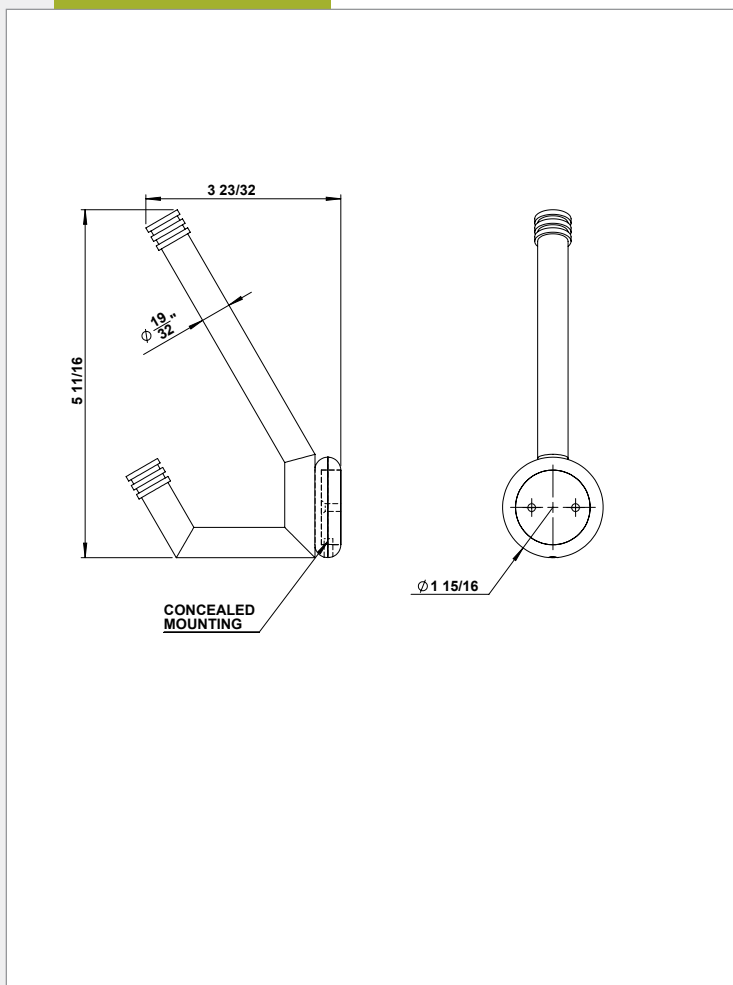
- Wrought Brass
- Concealed Mounting
- C4 and C26D



## GSH 310 COAT HOOK (DOUBLE)

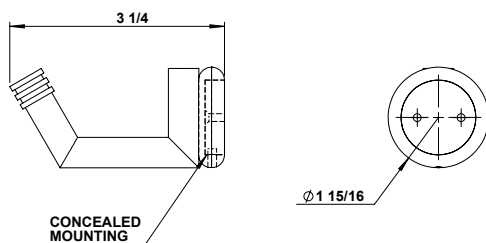


- Wrought Brass
- Concealed Mounting
- C4 and C26D



**GSH 320B COAT HOOK (SINGLE)**

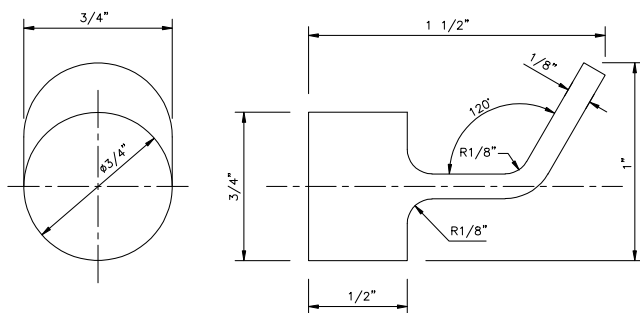
- Wrought Brass
- Concealed Mounting
- C4 and C26D



## GSH 311 HAT AND COAT HOOK



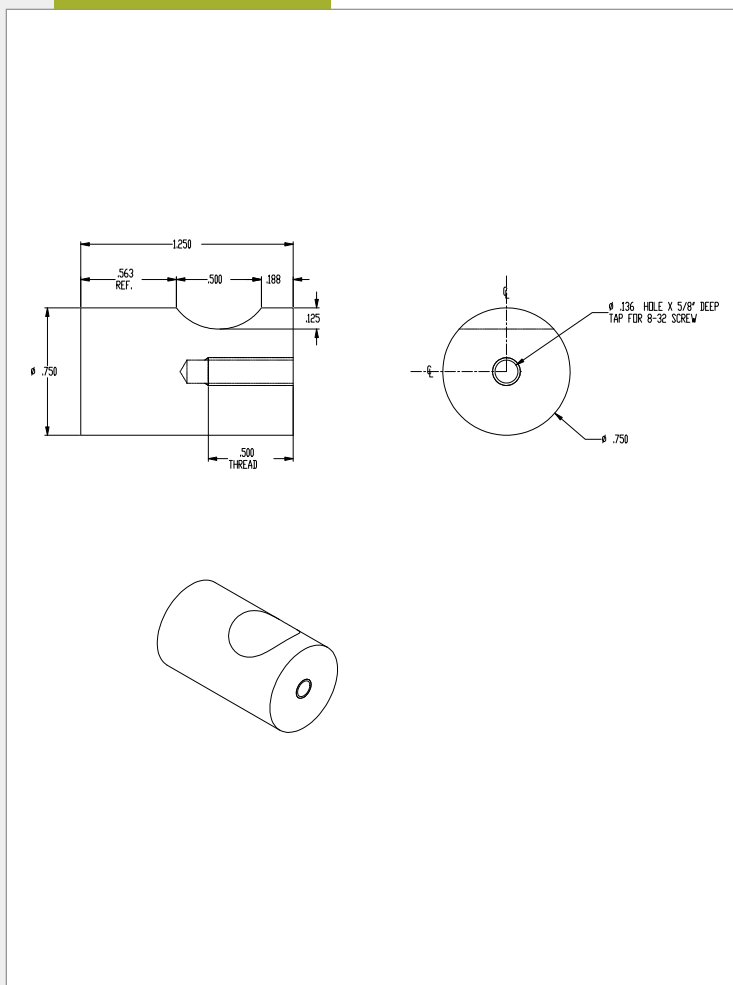
- Machined From Bar Stock
- Hanger Screw Included
- C4 and C26D



## GSH 317 CABINET PULL 3/4" D/A. 1 1/4" LONG

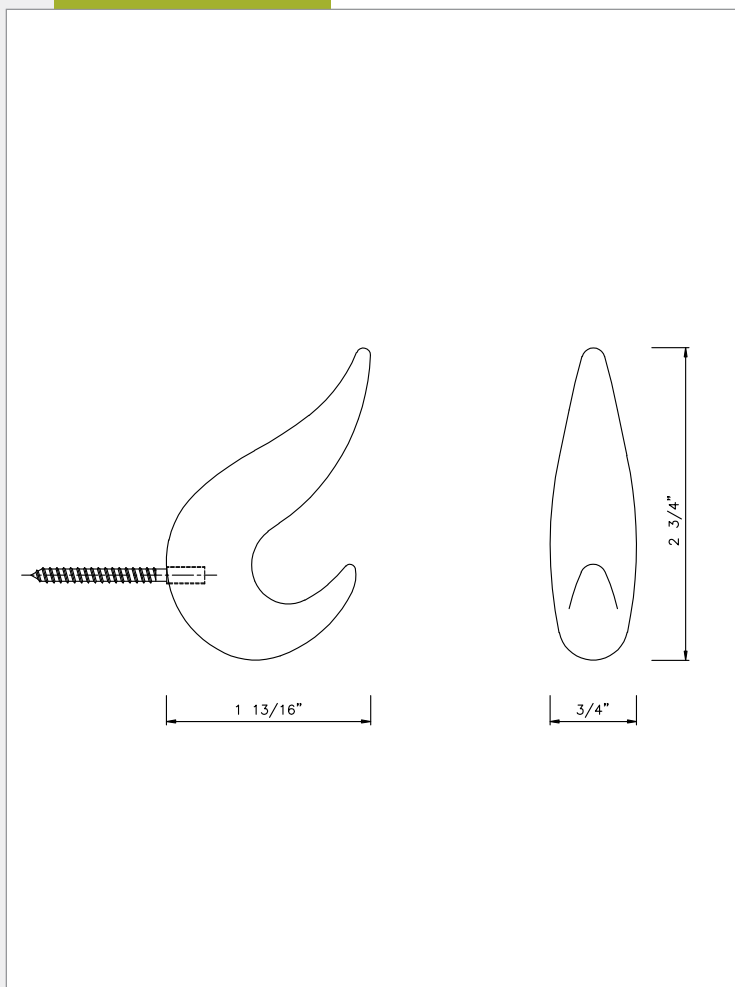


- Stainless Steel Bar Stock
- Screw Included
- C32D



**GSH 340 COAT HOOK**

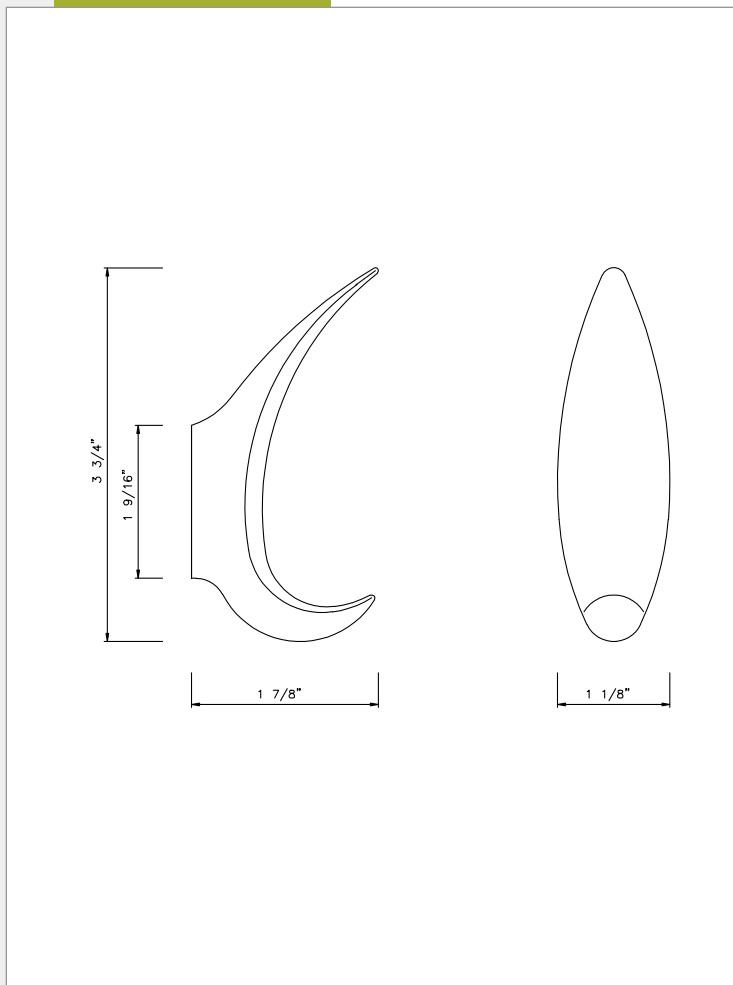
- Cast Brass
- Hanger Screw Included
- C3, C26, C26D



## GSH 341 COAT HOOK



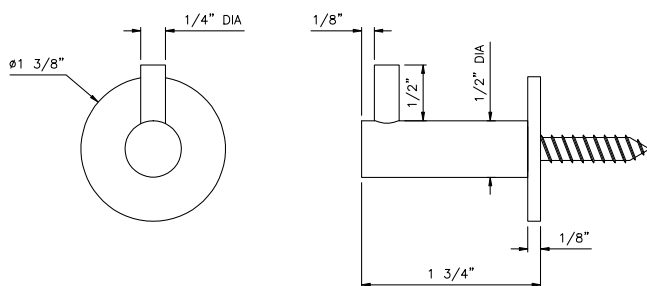
- Cast Concealed Stainless Steel
- Concealed Mounting
- C3, C26 and C26D



## GSH 342 COAT HOOK

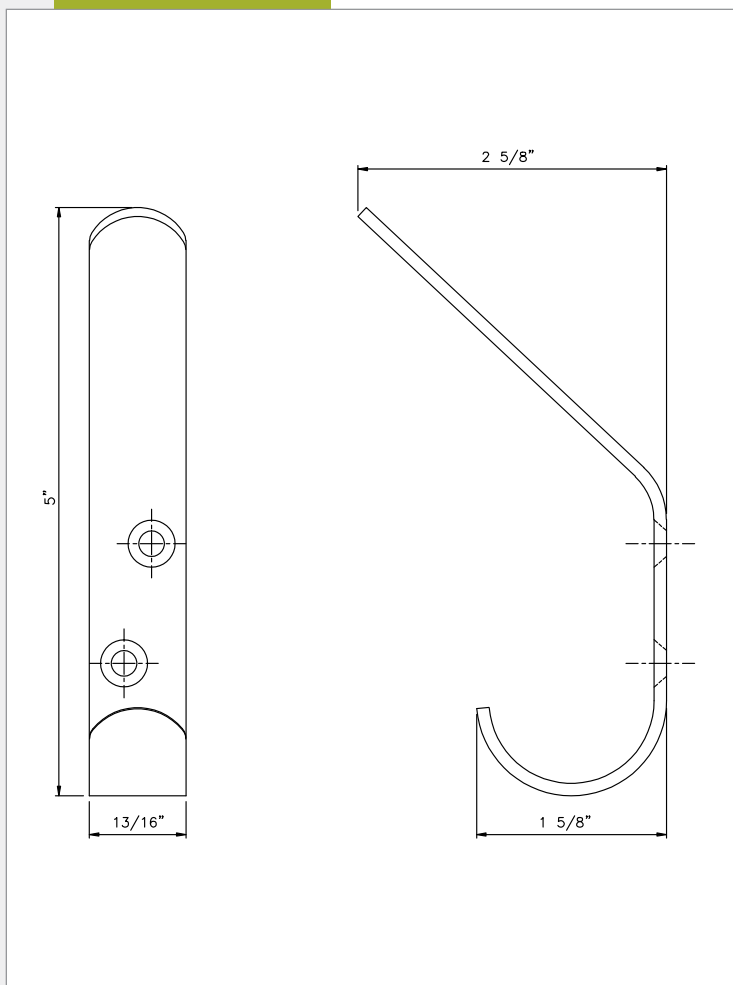


- Stainless Steel Bar Stock
- Hanger Screw Included
- C32 and C32D



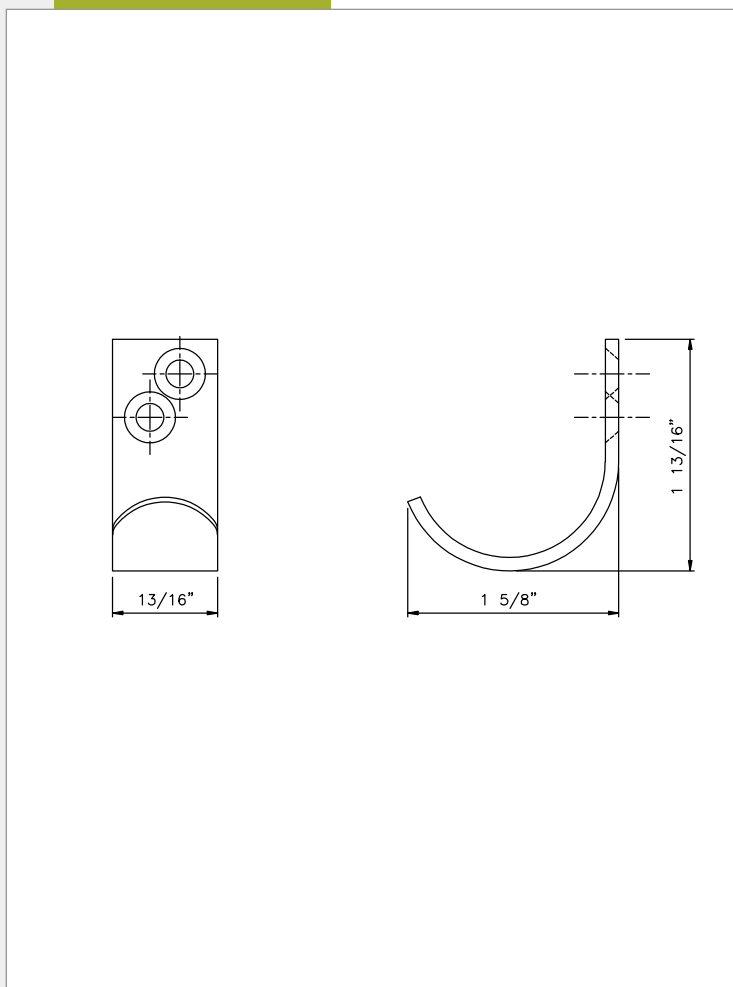
**GSH 343 COAT HOOK (DOUBLE)**

- Wrought Stainless
- C32 and C32D



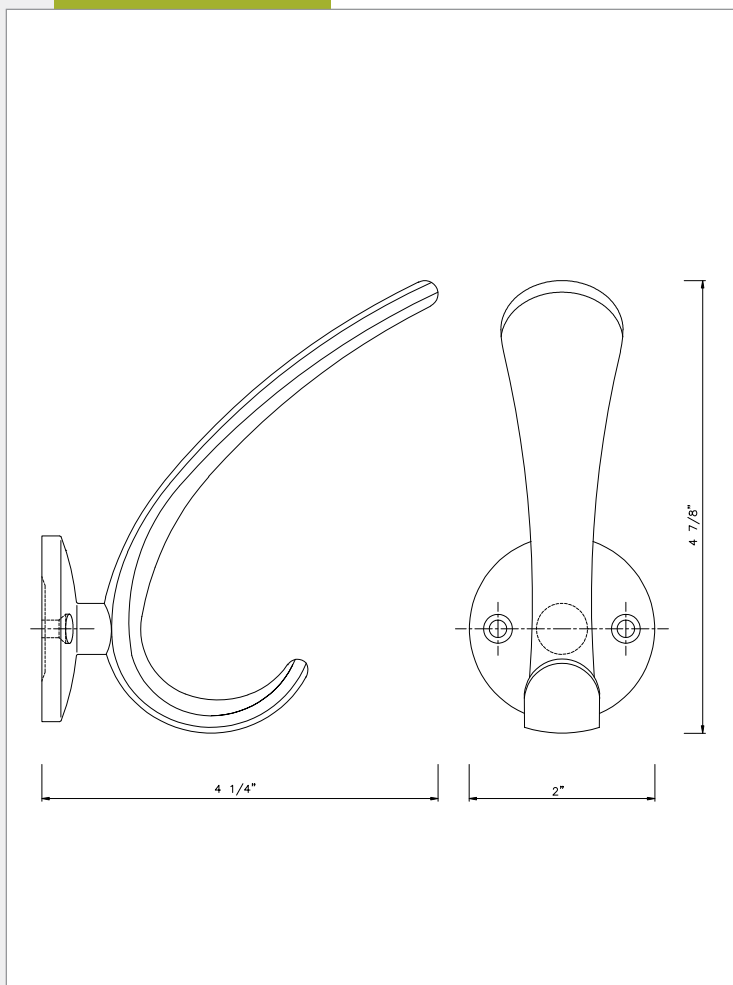
**GSH 343B COAT HOOK (SINGLE)**

- Wrought Stainless
- C32 and C32D



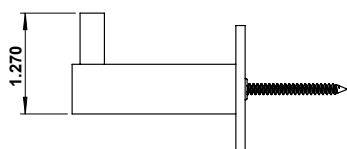
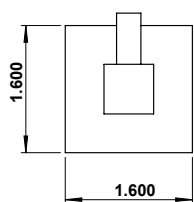
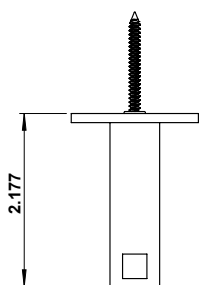
**GSH 344 COAT HOOK**

- Cast Brass
- C3, C26, and C26D



**GSH 345 COAT HOOK**

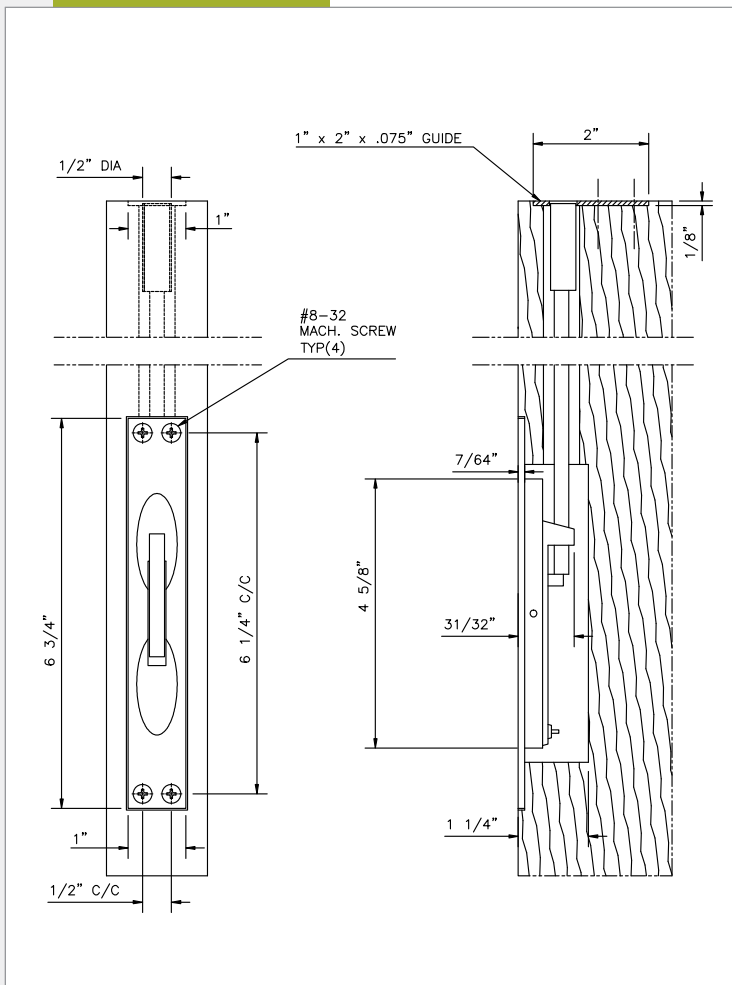
- Bar Stock / Plate
- C32D



## GSH 401/401 UL EXTENSION FLUSH BOLT



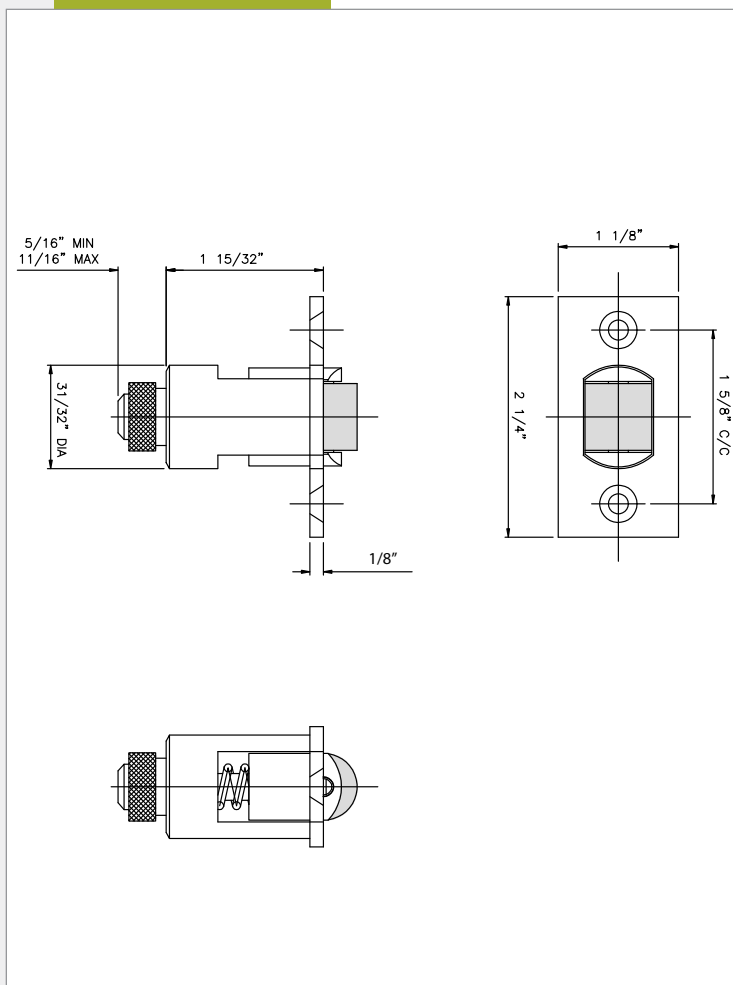
- Brass Construction
- 12" Standard
- C3, C4, C10, C10B, C26, and C26D



## GSH 403 ADJUSTABLE ROLLER LATCH



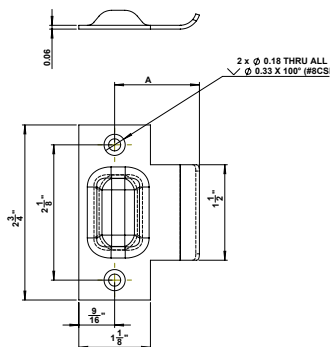
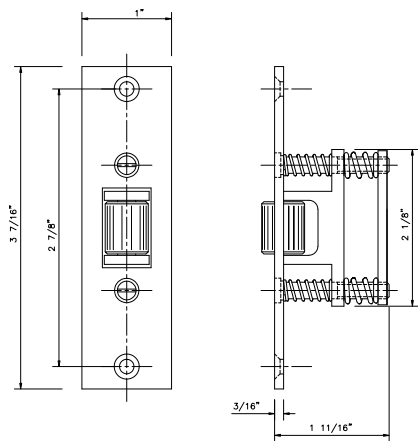
- Cast Brass
- Projection Adjustable 1/16" to 7/16"
- C3, C10B, and C26D



## GSH 404H ROLLER LATCH



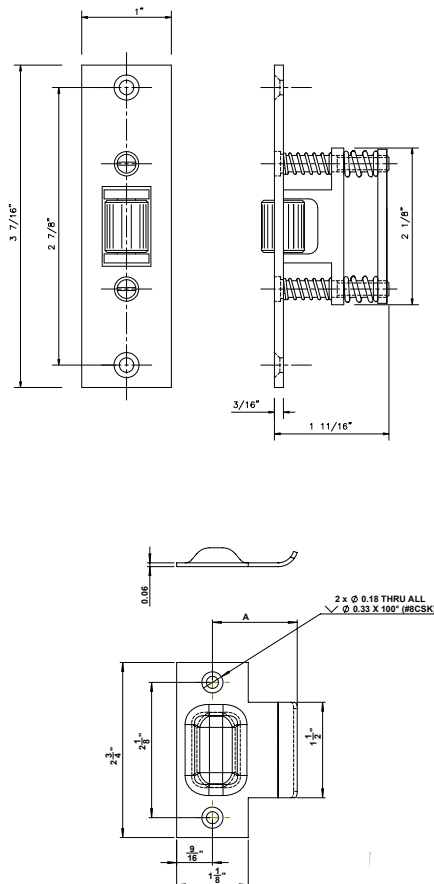
- Cast Brass, Bronze
- Adjustable Roller
- C3, C4, C10, C10B, C26, C26D



## GSH 404HS ROLLER LATCH C/W STAINLESS ROLLER



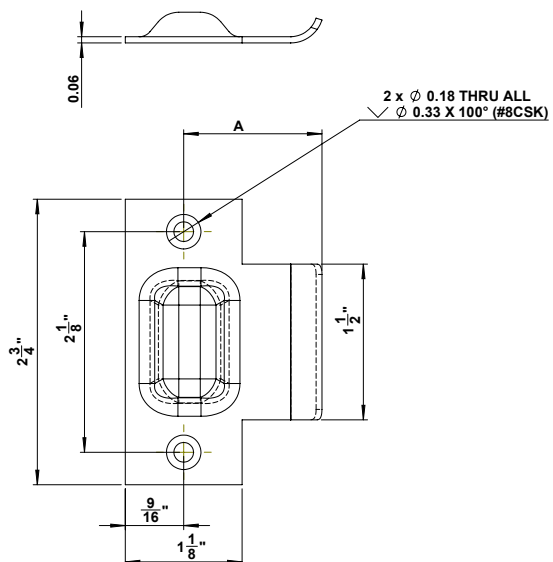
- Cast Brass
- Adjustable Roller
- C32D/C26D



## GSH 404SO STRIKE ONLY



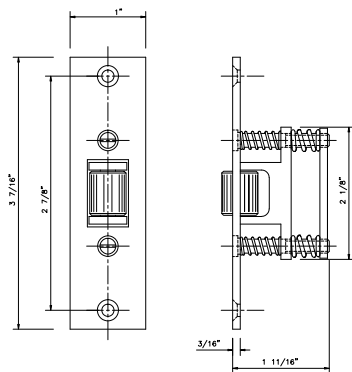
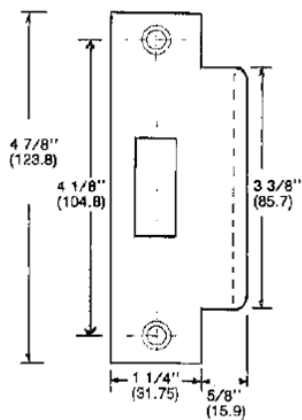
- Wrought Brass
- C26D



## GSH 405H ROLLER LATCH C/W STRIKE



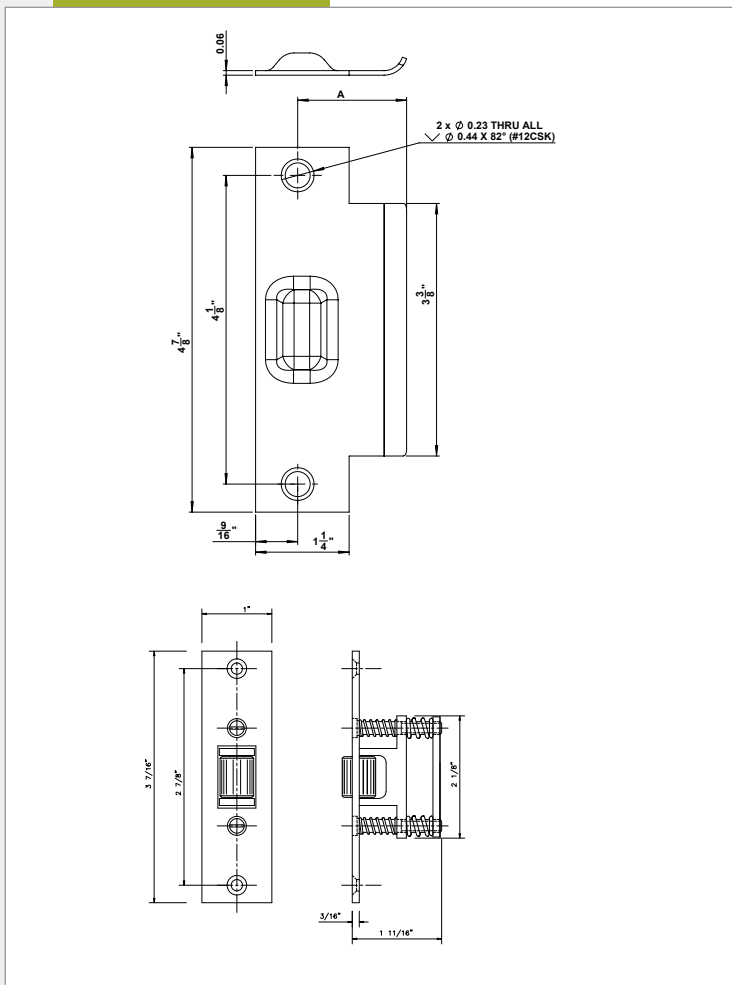
- Cast Brass or Bronze
- Adjustable Roller
- C3, C4, C10, C10B, C26, and C26D



## GSH 405HS ROLLER LATCH C/W STAINLESS ROLLER



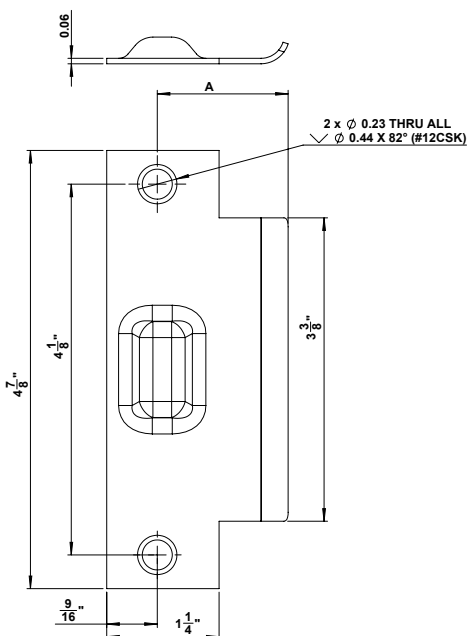
- Cast Brass
- Adjustable Roller
- C32D/C26D



## GSH 405SO STRIKE ONLY



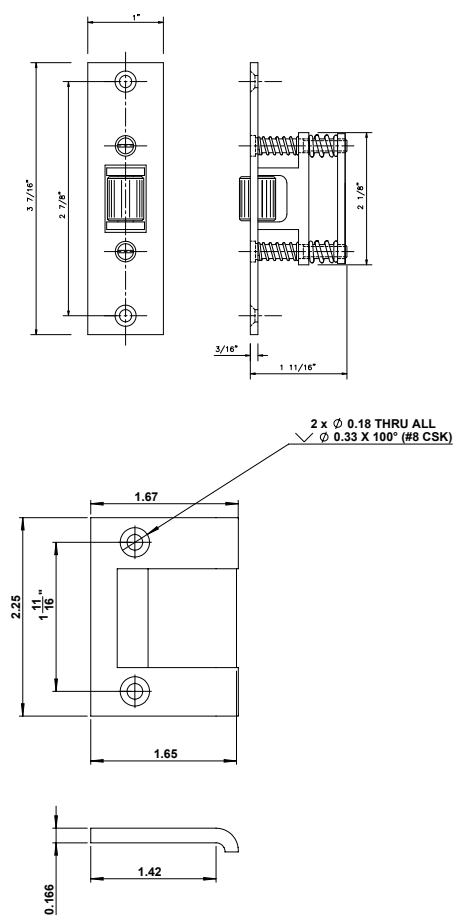
- Wrought
- 26D



## GSH 406H ROLLER LATCH C/W STRIKE



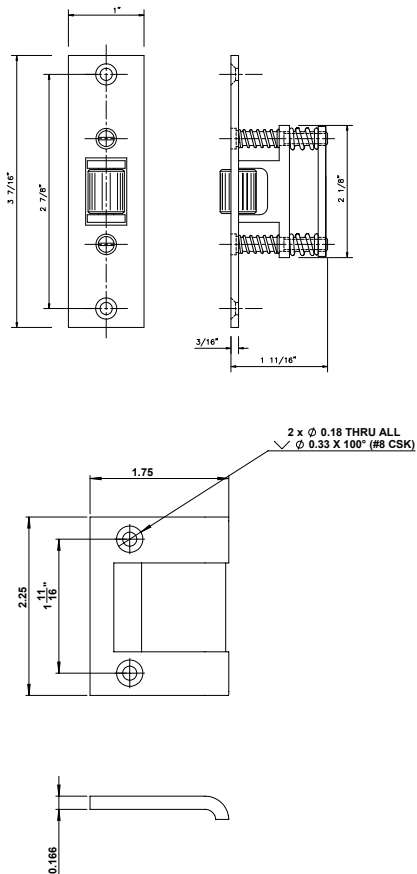
- Cast Brass or Bronze
- Adjustable Roller
- C3, C4, C10, C10B, C26, and C26D
- Cast Brass or Bronze
- Adjustable Roller
- C3, C4, C10, C10B, C26, and C26D



## GSH 406HS ROLLER LATCH C/W STAINLESS ROLLER



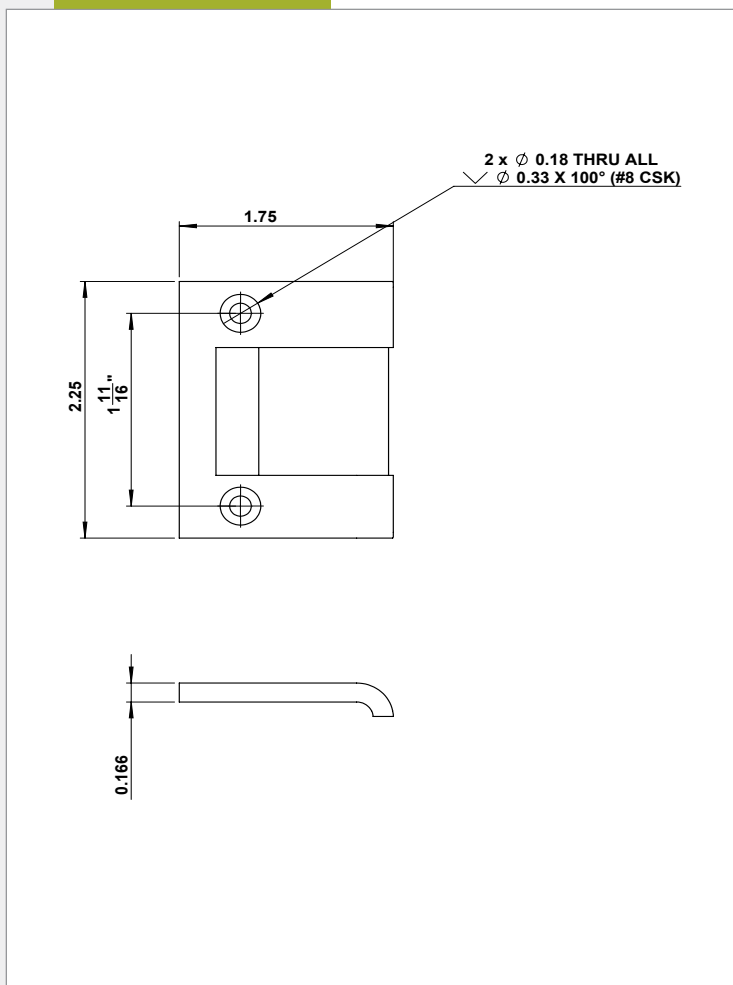
- Cast Brass
- Adjustable Roller
- C32D/C26D



## GSH 406SO STRIKE ONLY



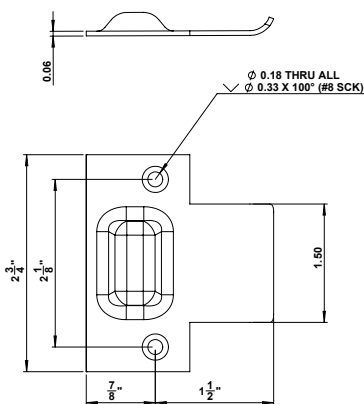
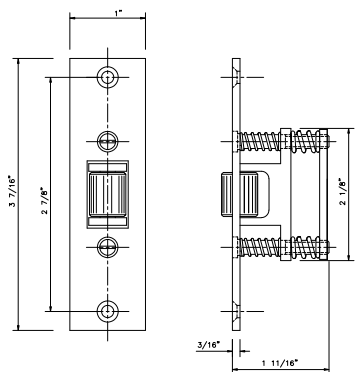
- Cast
- 26D



## GSH 407H ROLLER LATCH C/W STRIKE



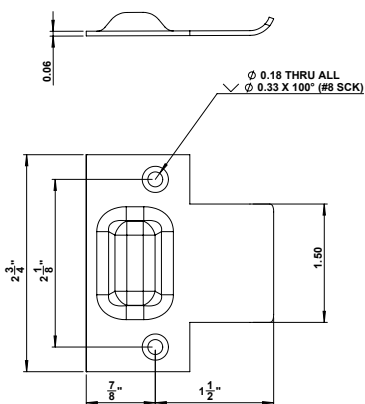
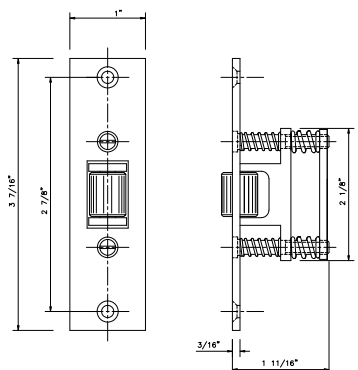
- Cast Brass or Bronze
- Adjustable Roller
- C3, C4, C10, C10B, C26, and C26D



## GSH 407HS ROLLER LATCH C/W STAINLESS ROLLER



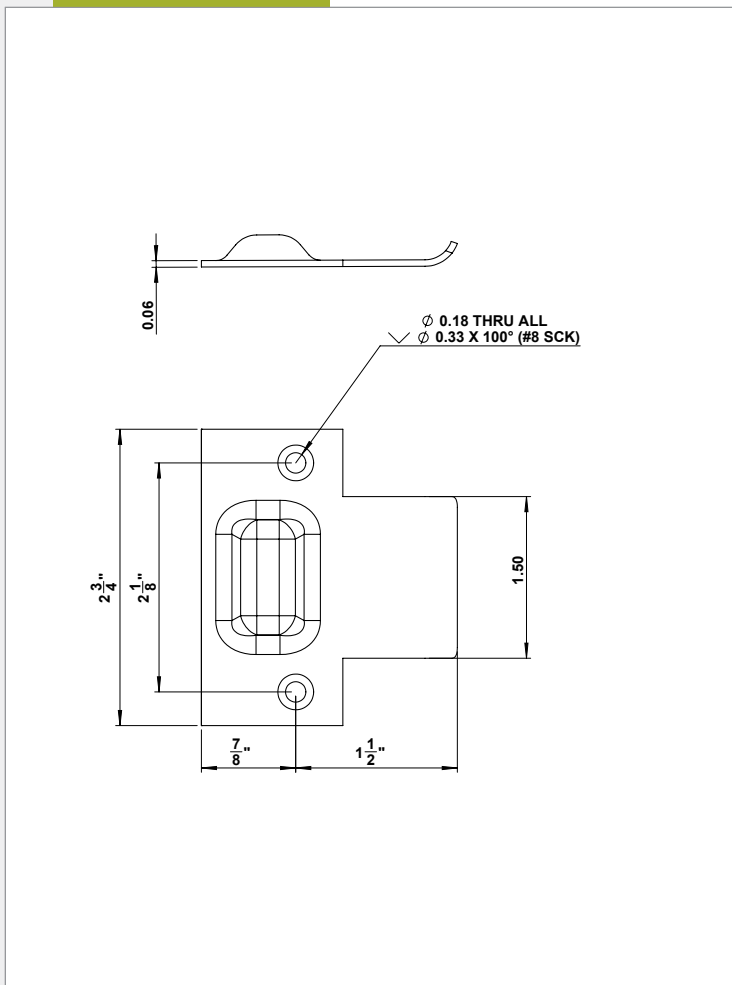
- Cast Brass
- Adjustable Roller
- C32D/C26D



## GSH 407SO STRIKE ONLY



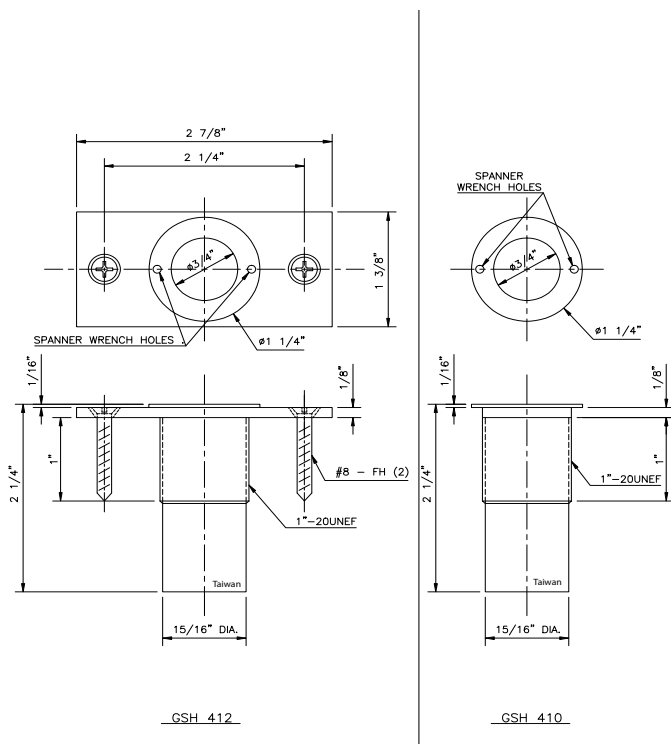
- Wrought
- 26D



## GSH 410 / 412 DUST PROOF STRIKE AND PLATE



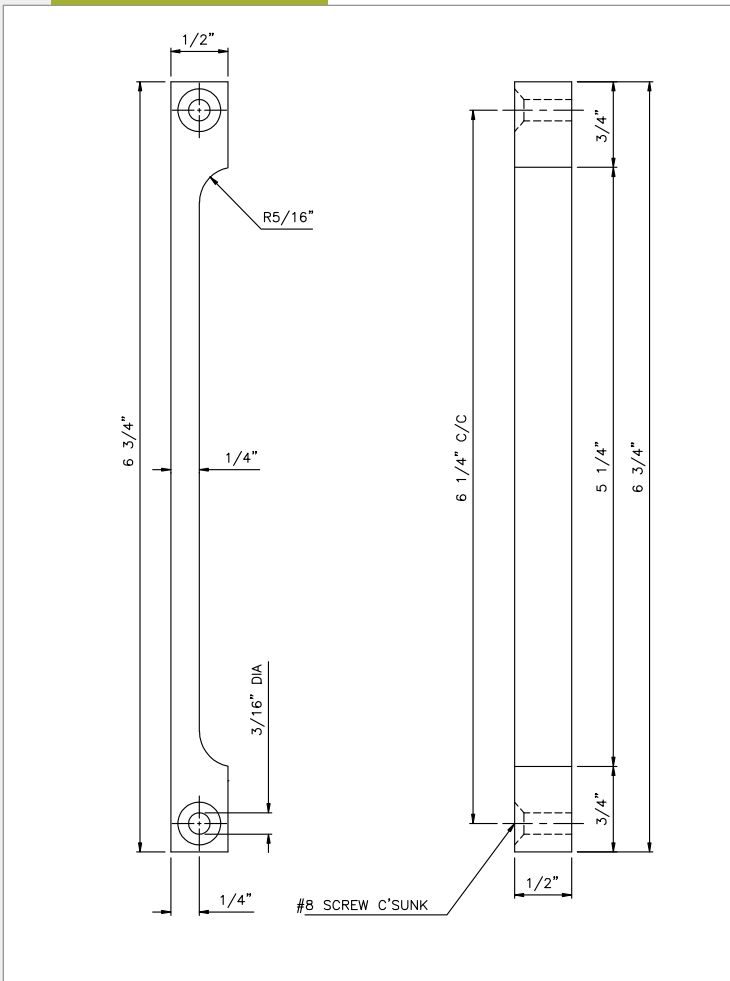
- Steel By Brass
- Can be used with or Without Faceplate
- C26D



## GSH 413 RABBETED FLUSH BOLT ADAPTER



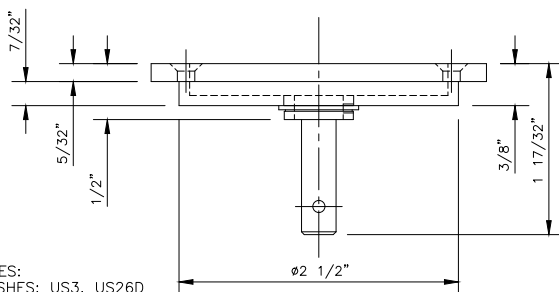
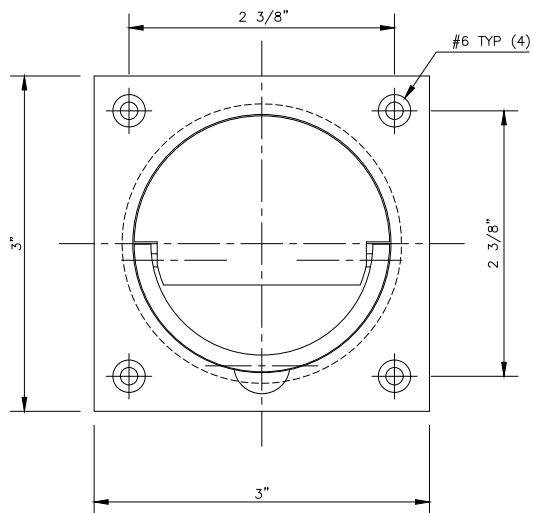
- Brass
- For use with 401 Flush Bolt
- Brass



## GSH 414/415 SQUASH COURT/DROP RING PULL



- Cast Brass
- 414 Picture Left
- 415 Picture Right
- 5/16" Spindle
- C4, C10, C10B, and C26D

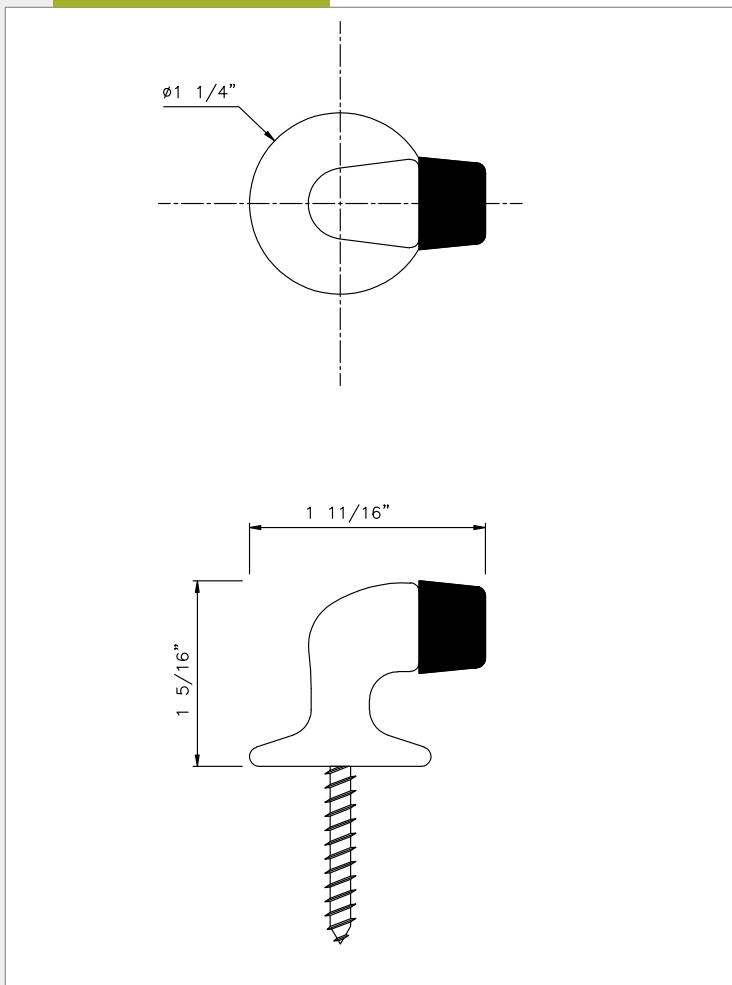


NOTES:  
FINISHES: US3, US26D



**GSH 430 DECORATIVE FLOOR STOP "90 DEGREE"**

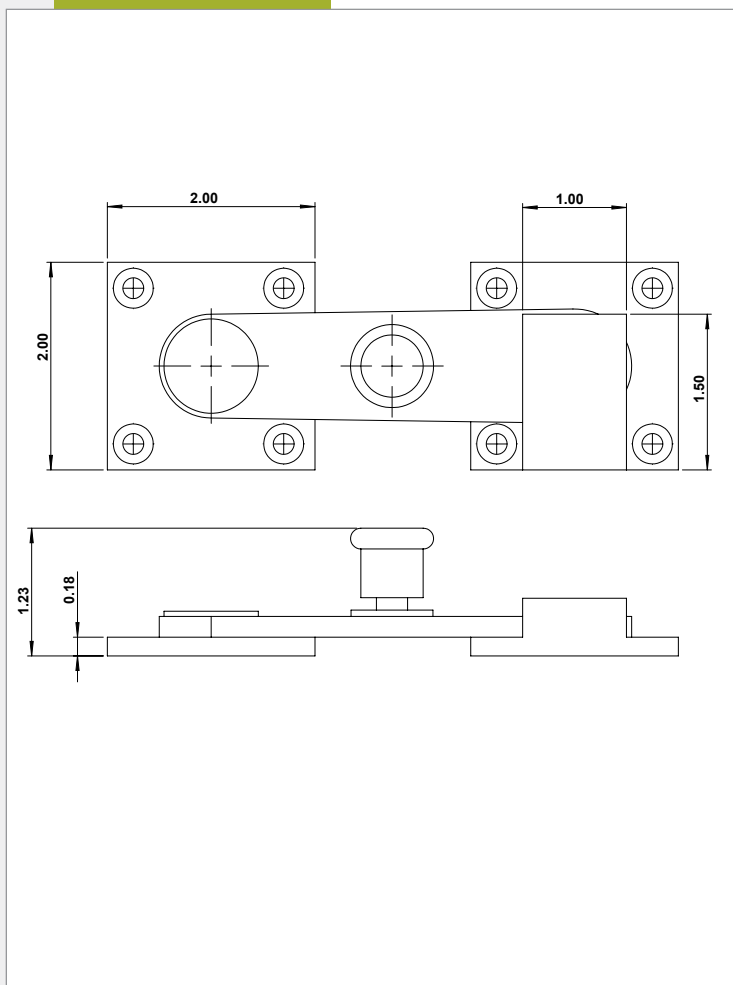
- Cast Brass
- Comes with Hanger Screw
- C3, C4, C10, C10B, and C26D



## GSH 450 LAVATORY LATCH

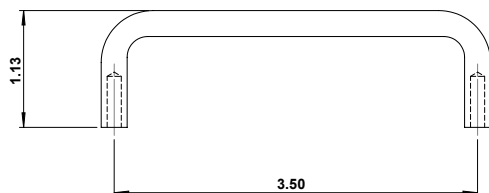


- Cast Brass
- Heavy Duty Construction
- MS Screws Included
- C3, C4, C26, and C26D



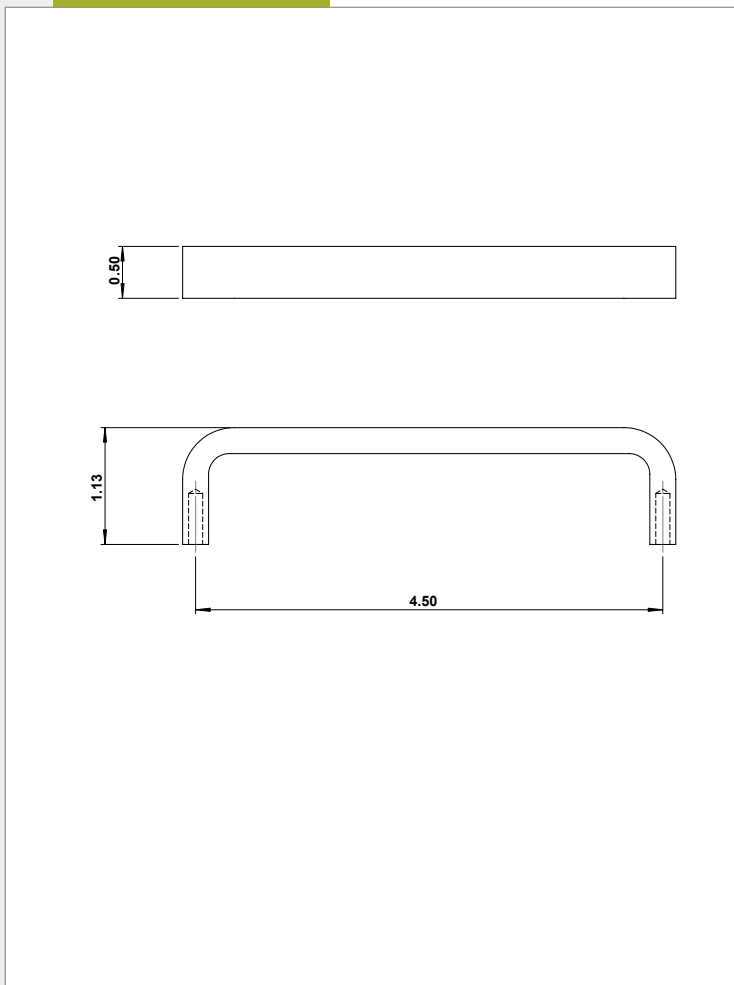
**GSH 935 DRAWER PULL 3 1/2"**

- Wrought Brass
- Ideal for Healthcare and Education
- C3, C4, C26, and C26D



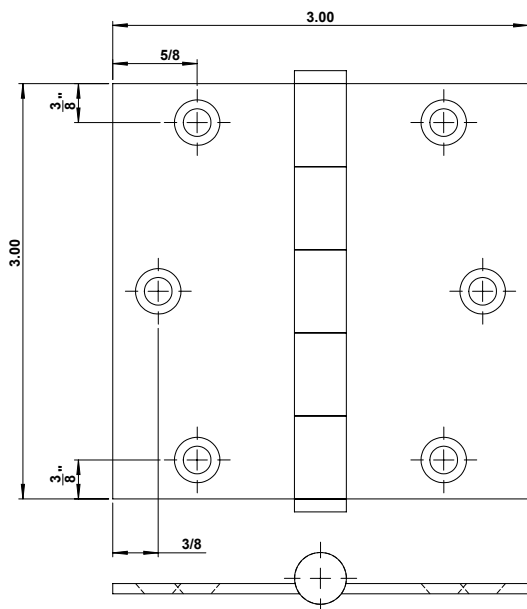
**GSH 945 DRAWER PULL 4 1/2"**

- Wrought Brass
- Ideal for HealthCare and Education
- Screws Included
- C3, C4, C26, and C26D



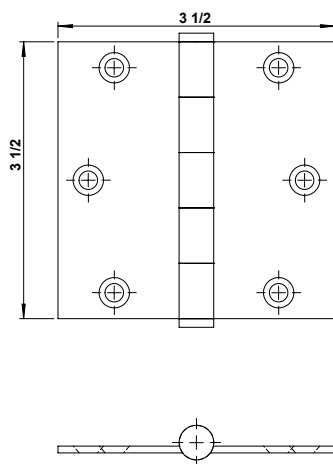
**GSH 3030 SOLID BRASS EXTRUDED HINGE 3" X 3"**

- Plain Bearing
- Screws Included
- 2.4mm Thick
- C3, C4, C5, C15B, C26, C26, C10B, C17A, and C19



**GSH 3535 SOLID BRASS EXTRUDED HINGE 3.5" X 3.5"**

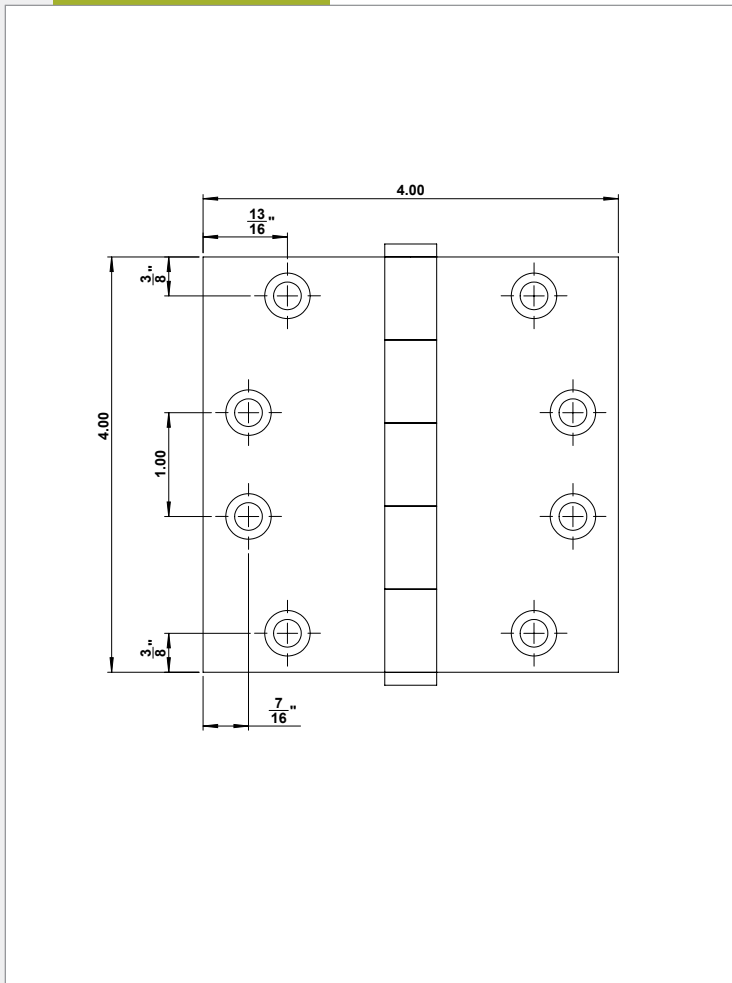
- Plain Bearing
- Screws Included
- 3.1mm Thick
- C3, C4, C5, C15, C15B, C26, C10B, C17A, and C19



## GSH 4040 SOLID BRASS EXTRUDED HINGE 4" X 4"

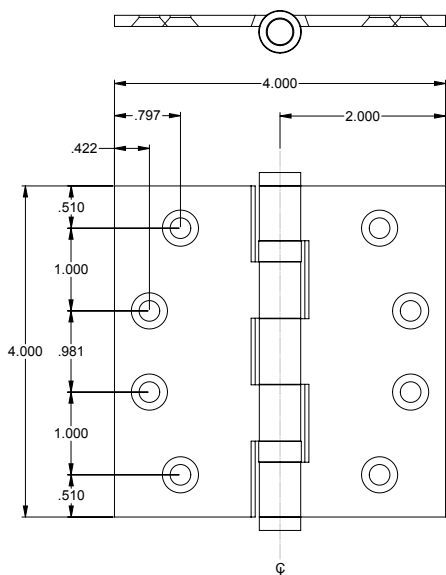


- Plain Bearing
- Screws Included
- 3.4mm Thick
- C3, C4, C5, C15, C15B, C26, C10B, C17A, and C19



## GSH 4040 BB SOLID BRASS HINGE 4" X 4" BALL BEARING

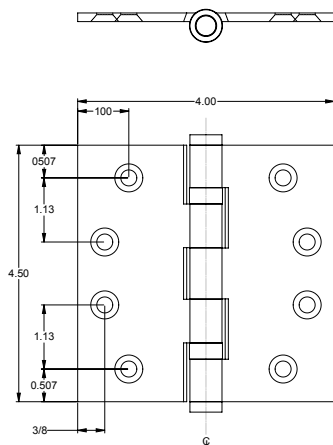
- Ball Bearing
- Smooth Operation
- Screws Included
- 3.4mm Thick
- C3, C4, C5, C15, C15B, C26, C10B, C17A, and C19



## GSH 4540 BB SOLID BRASS HINGE 4.5" X 4" BALL BEARING



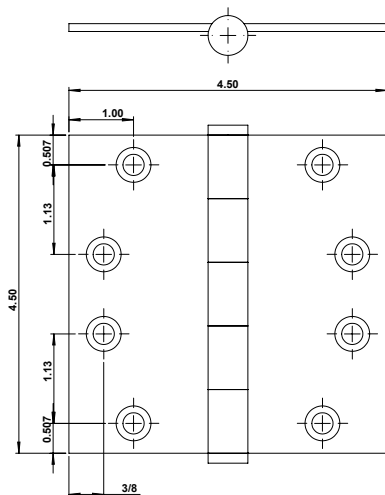
- Ball Bearing
- Smooth Operation
- Screws Included
- 3.4mm Thick
- C3, C4, C5, C15, C15B, C26, C10B, C17A, and C19



## GSH 4545 SOLID BRASS EXTRUDED HINGE 4.5" X 4.5"



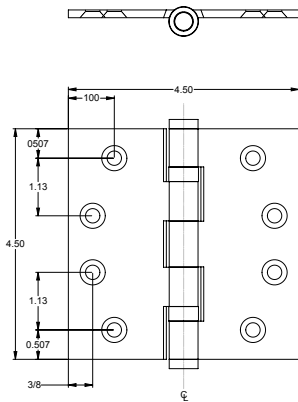
- Plain Bearing
- Screws Included
- 3.4mm Thick
- C3 and C5



## GSH 4545 BB SOLID BRASS HINGE 4.5" X 4.5" BB



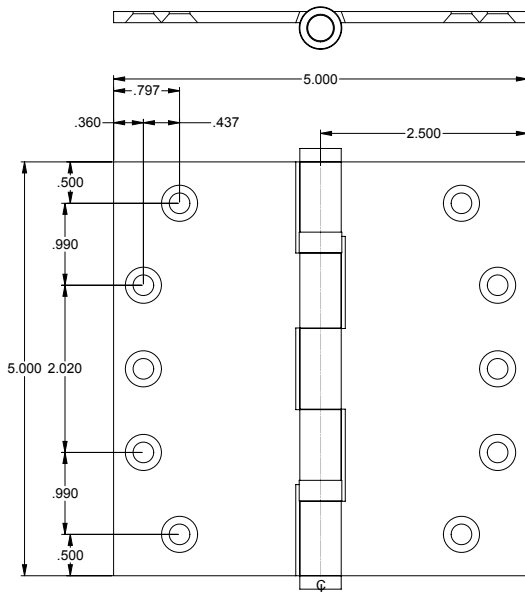
- Ball Bearing
- Smooth Operation
- Screws Included
- 3.4mm Thick
- C3, C5, and C15



## GSH 5050 BB SOLID BRASS HINGE 5" X 5" BB

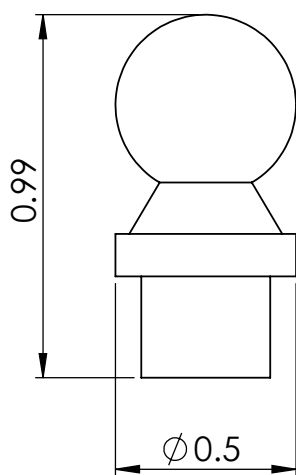


- Ball Bearing
- Smooth Operation
- Screws Included
- 3.7mm Thick
- C3, C10B, C15, and C17A



**BALL TIPS (BF)**

- Machined Brass
- Screw on tip for solid brass hinges
- C3, C4, C5, C15, C15B, C26, C10B, C17A, and C19



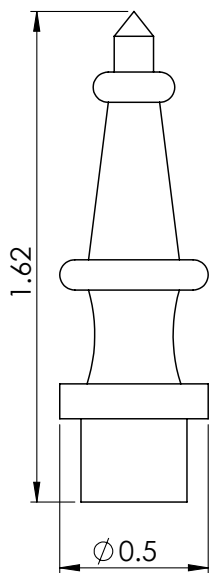
BALL (BF)



## STEEPLE TIPS (SF)



- Machined Brass
- Screw on tip for solid brass hinges
- C3, C4, C5, C15, C15B, C26, C10B, C17A, and C19

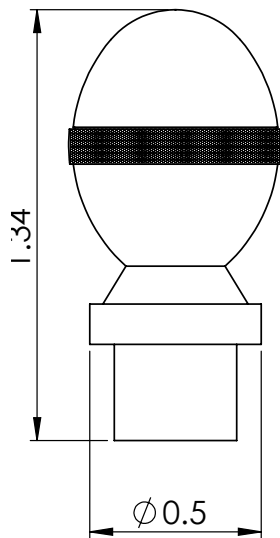


STEEPLE (SF)



**ACORN TIPS (AKF)**

- Machined Brass
- Screw on tip for solid brass hinges
- C3, C4, C5, C15, C15B, C26, C10B, C17A, and C19



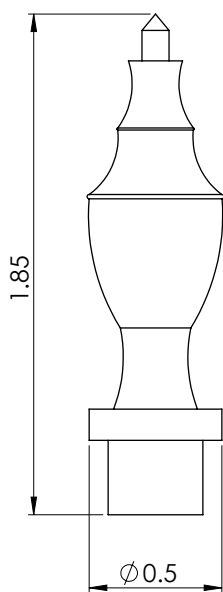
ACORN (AKF)



## URN TIPS (UF)



- Machined Brass
- Screw on tip for solid brass hinges
- C3, C4, C5, C15, C15B, C26, C10B, C17A, and C19

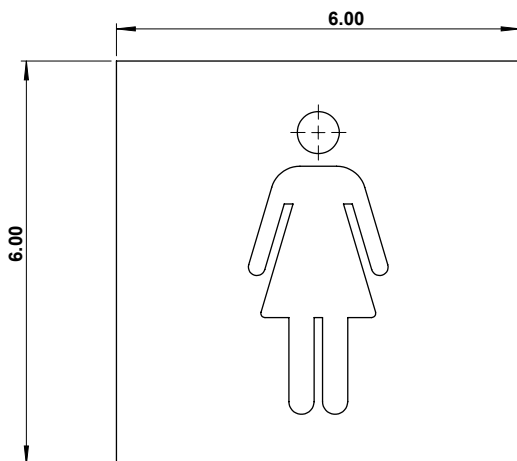


URN (UF)



**SIGN #102 6" X 6" PICTO WOMAN**

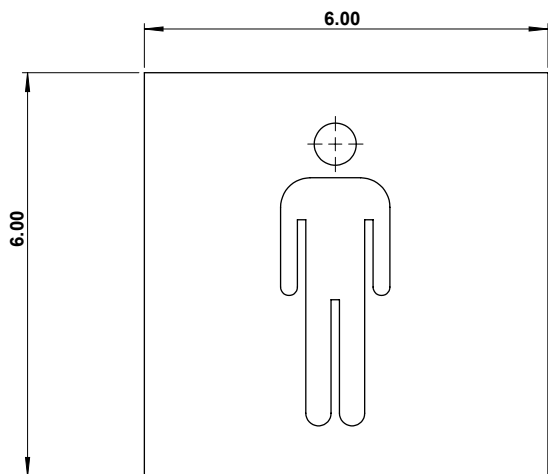
- Black and Silver
- Tape Mounting



# SIGN #103 6' X 6" PICTO MAN

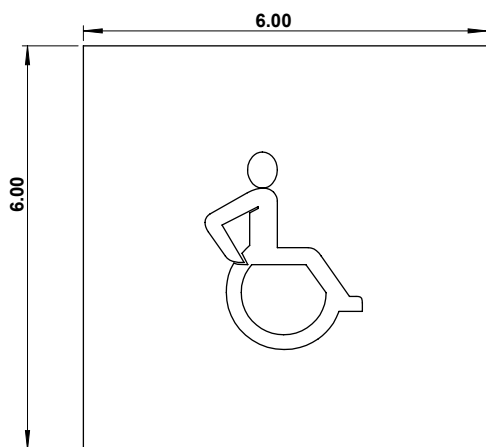


- Black and Silver
- Tape Mounting



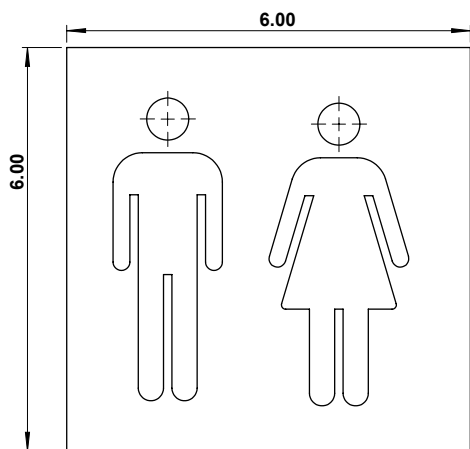
**SIGN #104 6" X 6" HANDICAP LOGO**

- Black and Silver
- Tape Mounting



**SIGN #105 6" X 6" X PICTO MAN / WOMAN**

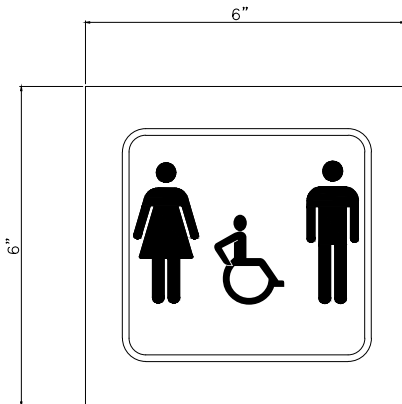
- Black and Silver
- Tape Mounting



# SIGN #106 6" X 6" X PICTO MAN / WOMAN / HANDICAP



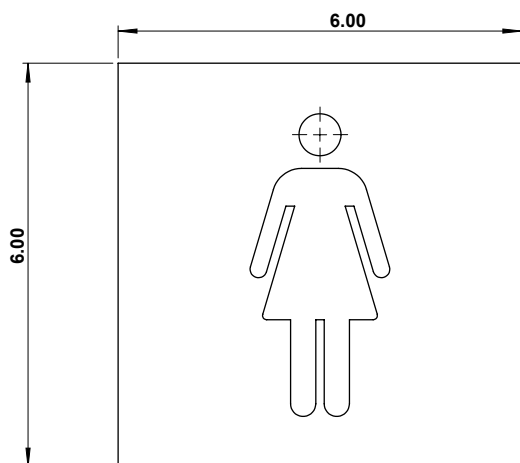
- Black and Silver
- Tape Mounting



# SIGN #107 6" X 6" PICTO WOMAN

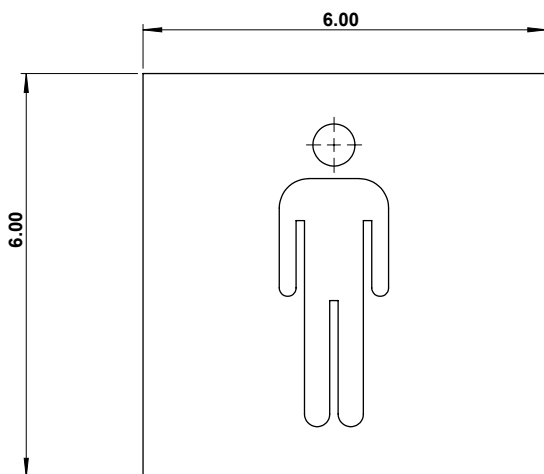


- Black and White
- Tape Mounting



**SIGN #108 6' X 6" PICTO MAN**

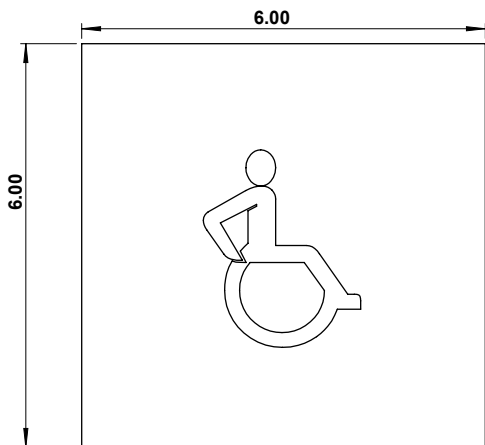
- Black and White
- Tape Mounting



# SIGN #109 6" X 6" HANDICAP LOGO

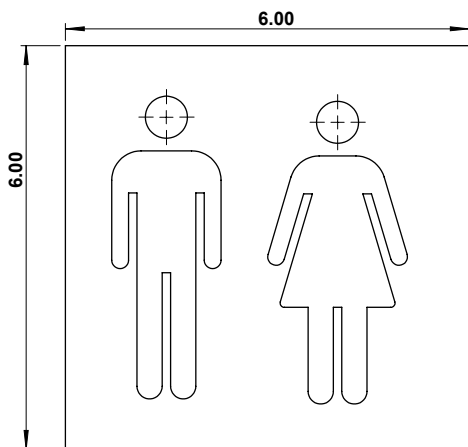


- Black and White
- Tape Mounting



**SIGN #110 6" X 6" X PICTO MAN / WOMAN**

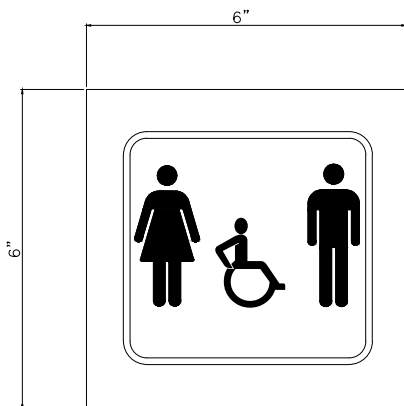
- Black and White
- Tape Mounting



# SIGN #111 6" X 6" X PICTO MAN/WOMAN/HANDICAP



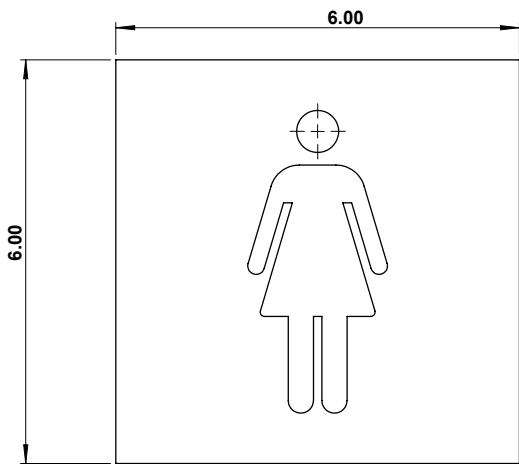
- Black and White
- Tape Mounting



# SIGN #112 6" X 6" PICTO WOMAN



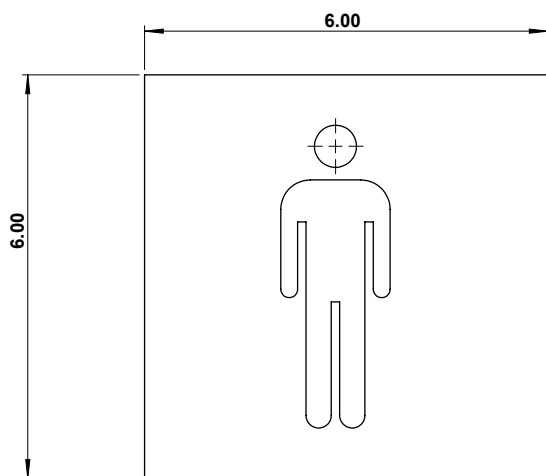
- Blue and White
- Tape Mounting



# SIGN #113 6" X 6" PICTO MAN

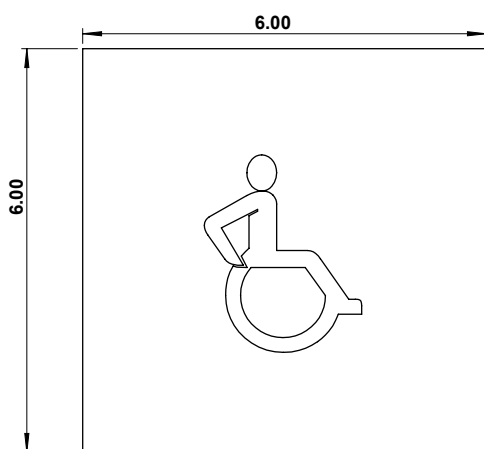


- Blue and White
- Tape Mounting



**SIGN #114 6" X 6" PICTO HANDICAP LOGO**

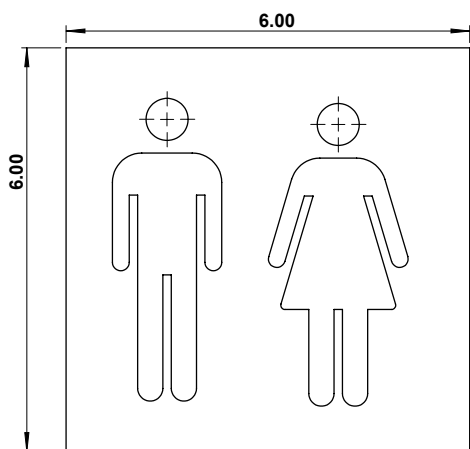
- Blue and White
- Tape Mounting



# SIGN #115 6" X 6" PICTO MAN/WOMAN



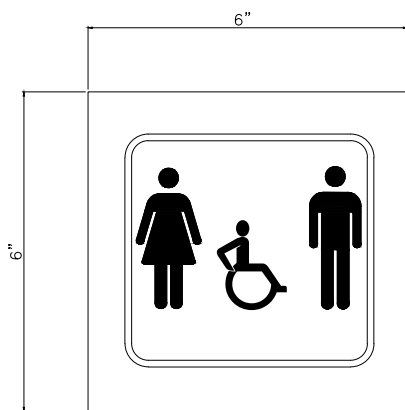
- Blue and White
- Tape Mounting



# SIGN #116 6" X 6" X PICTO MAN/WOMAN/HANDICAP

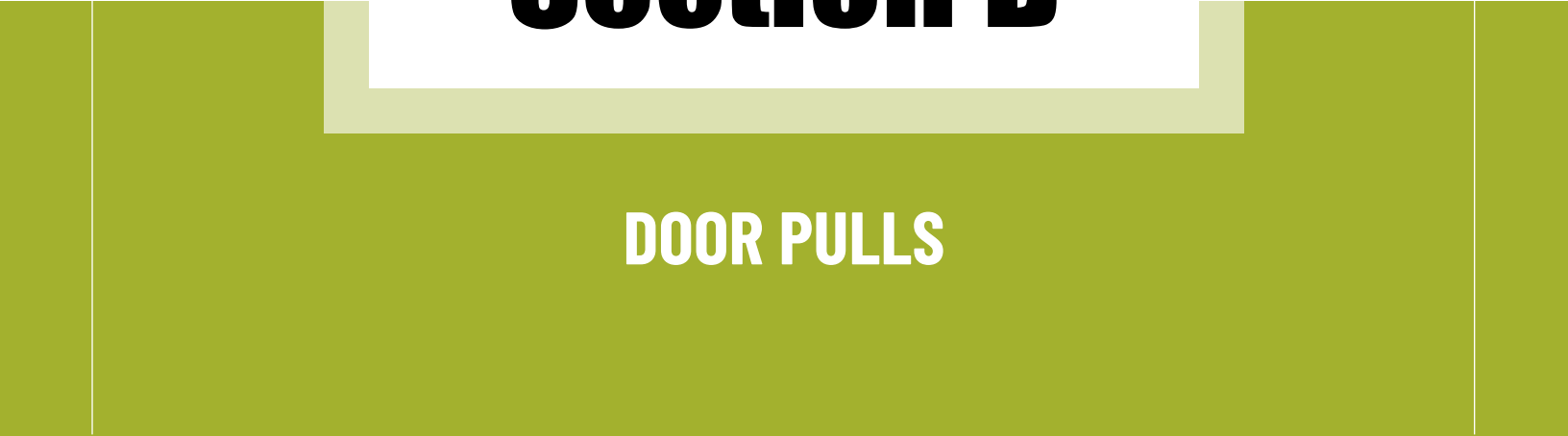


- Blue and White
- Tape Mounting





# Section B



**DOOR PULLS**

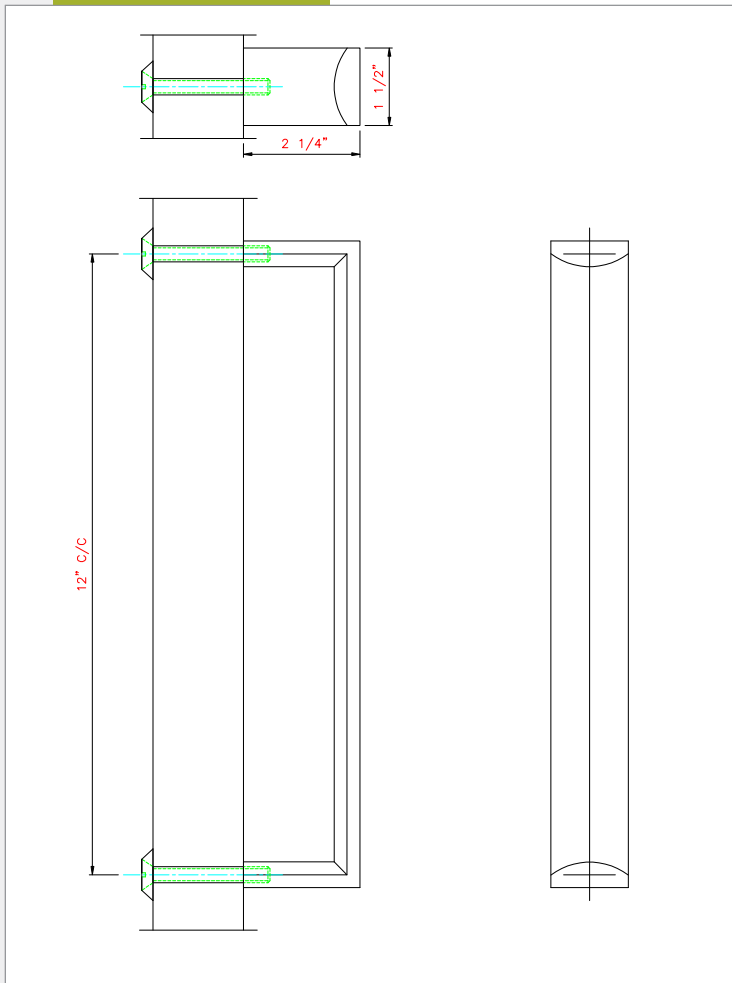


**Gallery™**  
specialty hardware

## GSH AF-7 STRAIGHT PULL



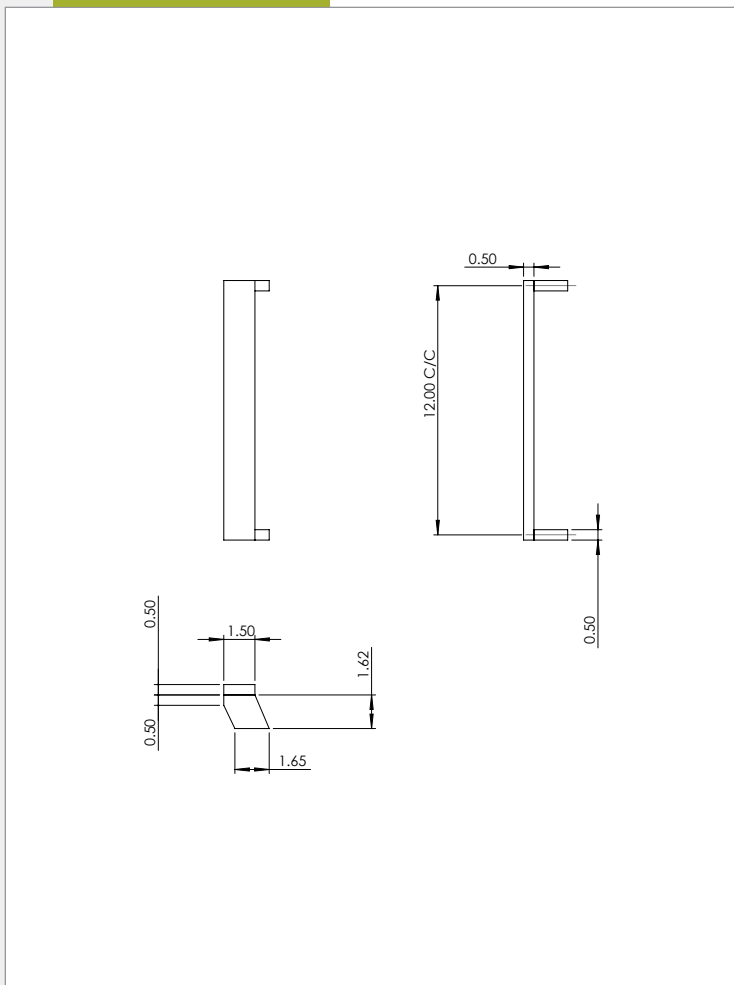
- Brass, Bronze and Stainless Steel
- Flat or half round material available
- Screws for 1-3/4" Door Included
- C3, C4, C9, C10, C10B, C14, C15, C26, C26D, C32, and C32D



## GSH AF-8 OFFSET PULL

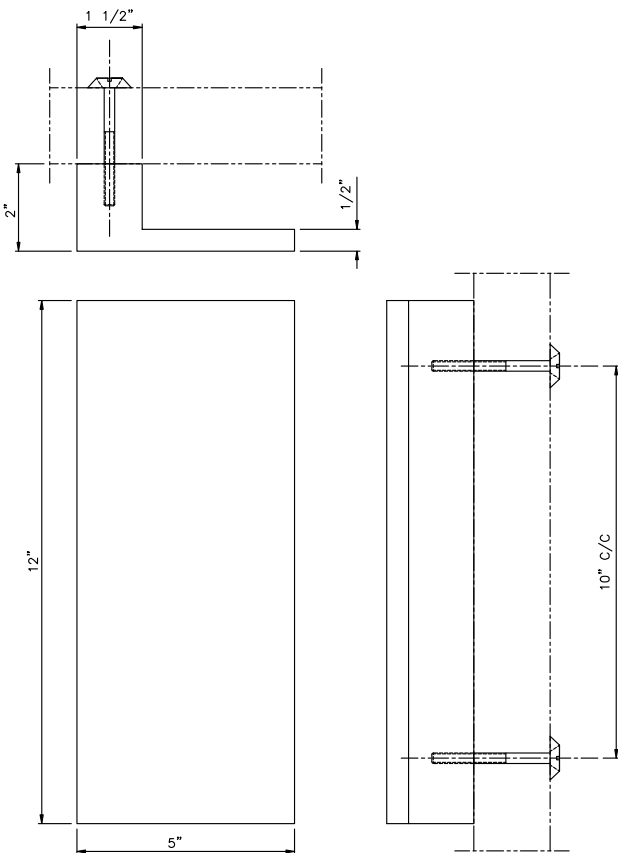


- Brass, Bronze and Stainless Steel
- Screws for 1-3/4" Door Included
- C3, C4, C9, C10, C10B, C14, C15, C26, C26D, C32, and C32D



## GSH AF-14 STRAIGHT PULL

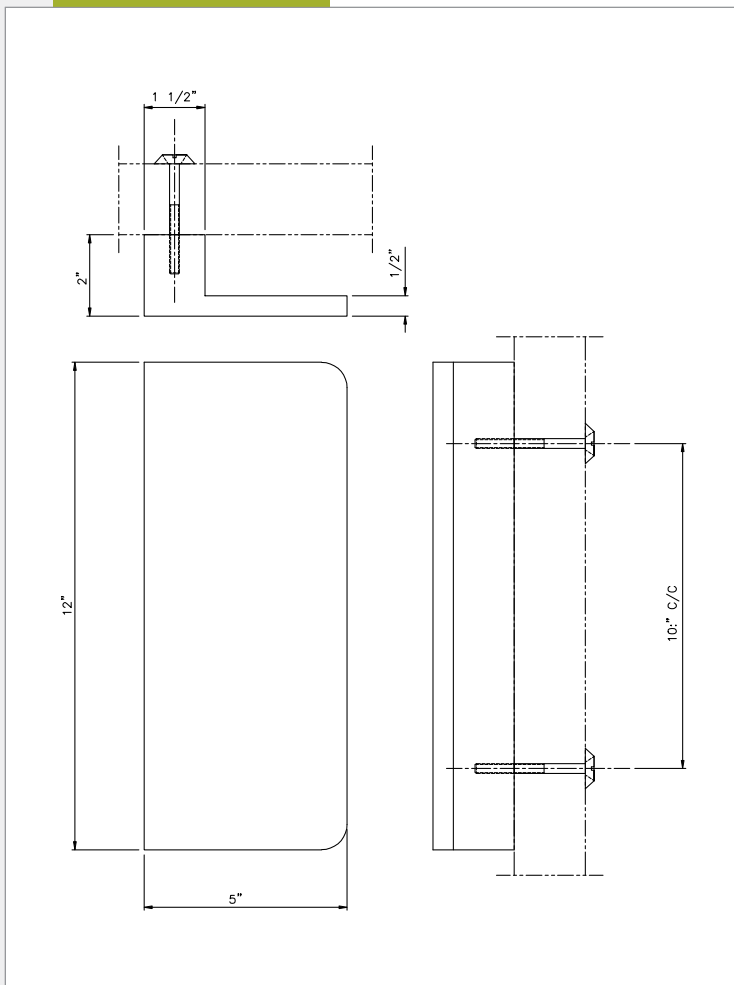
- Brass, Bronze, Stainless Steel, and Aluminum
- Screws for 1-3/4" Door Included
- C3, C4, C9, C10, C10B, C14, C15, C26, C26D, C28, C32, and C32D



## GSH AF-15 STRAIGHT PULL

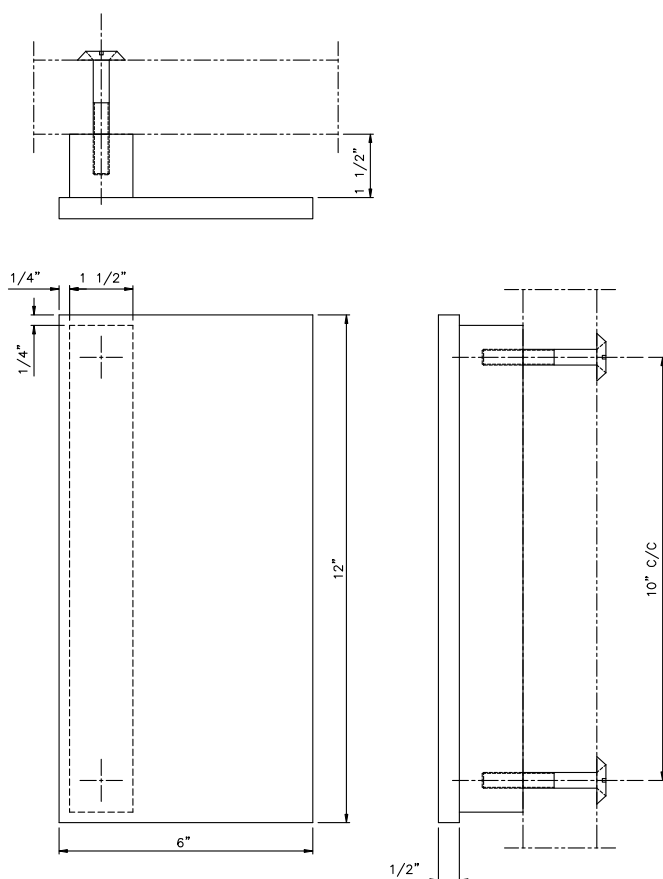


- Brass, Bronze, Stainless Steel, and Aluminum
- Screws for 1-3/4" Door Included
- C3, C4, C9, C10, C10B, C14, C15, C26, C26D, C28, and C32D



## GSH 105 DOOR PULL

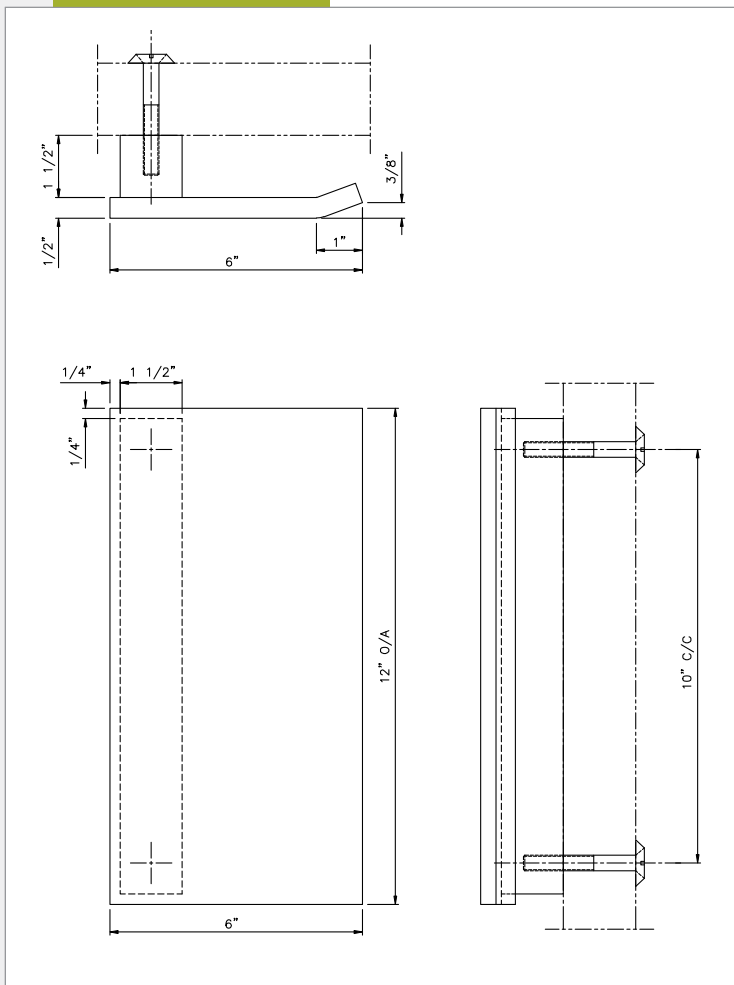
- Brass, Bronze, Stainless Steel, and Aluminum
- Screws for 1-3/4" Door Included
- C3, C4, C9, C10, C10B, C14, C15, C26, C26D, and C28



## GSH 106 DOOR PULL



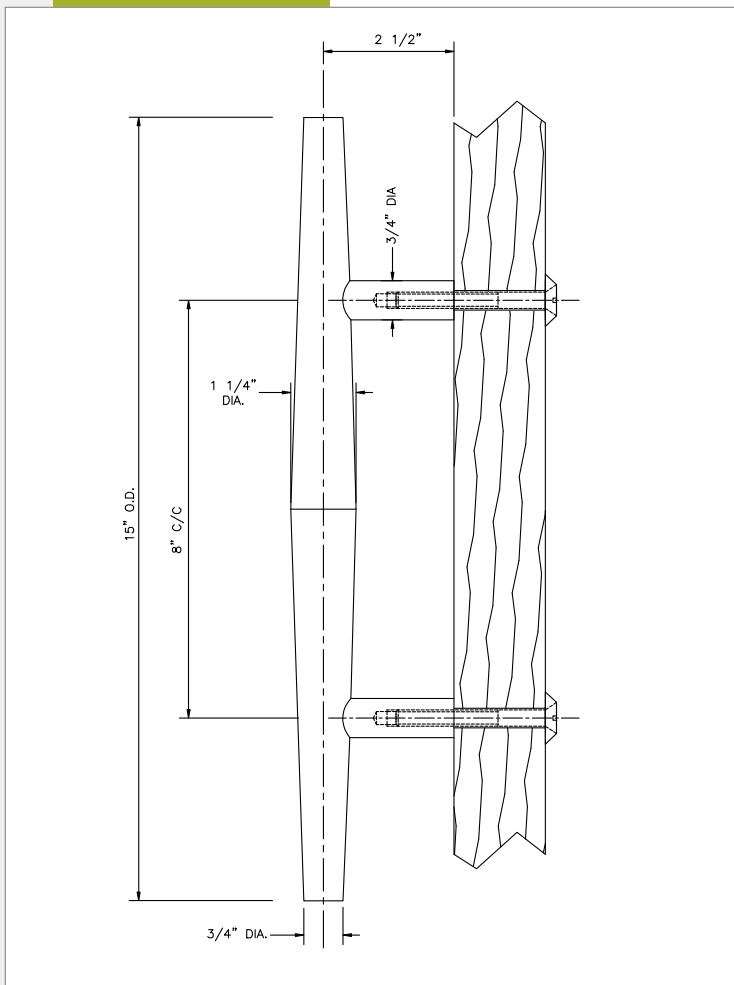
- Brass, Bronze, Stainless Steel, and Aluminum
- Screws for 1-3/4" Door Included
- C3, C4, C9, C10, C10B, C14, C15, C26, C26D, and C28



## GSH 111 DOOR PULL



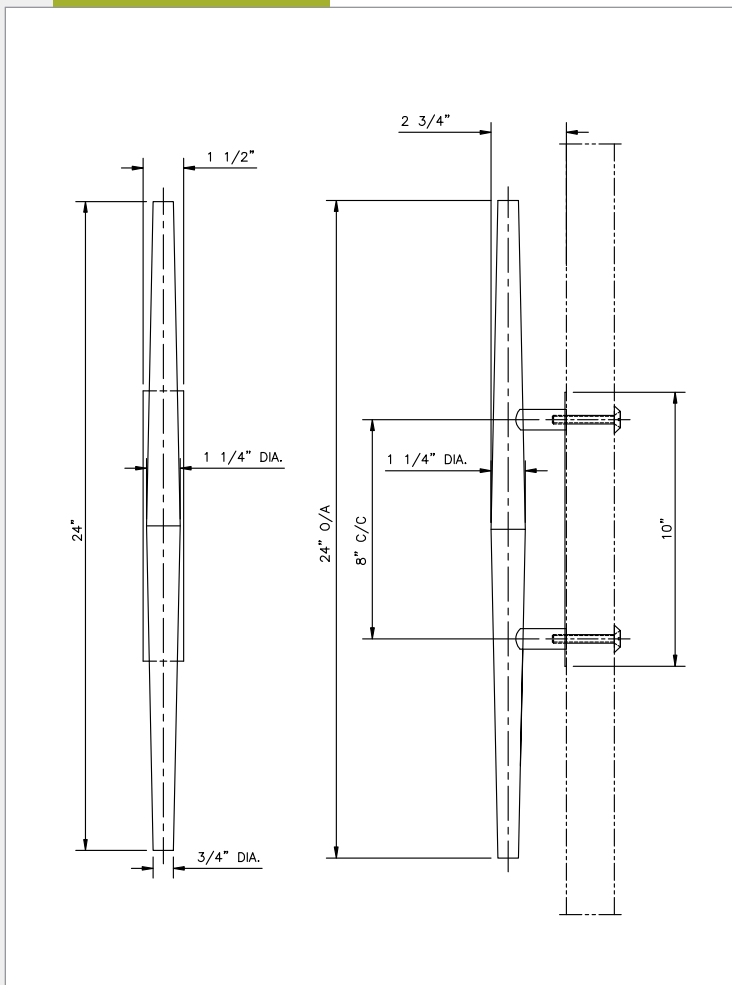
- Brass, Bronze, Stainless Steel, and Aluminum
- Screws for 1-3/4" Door Included
- C3, C4, C9, C10, C10B, C14, C15, C26, C26D, C28, and C32D



## GSH 119 DOOR PULL



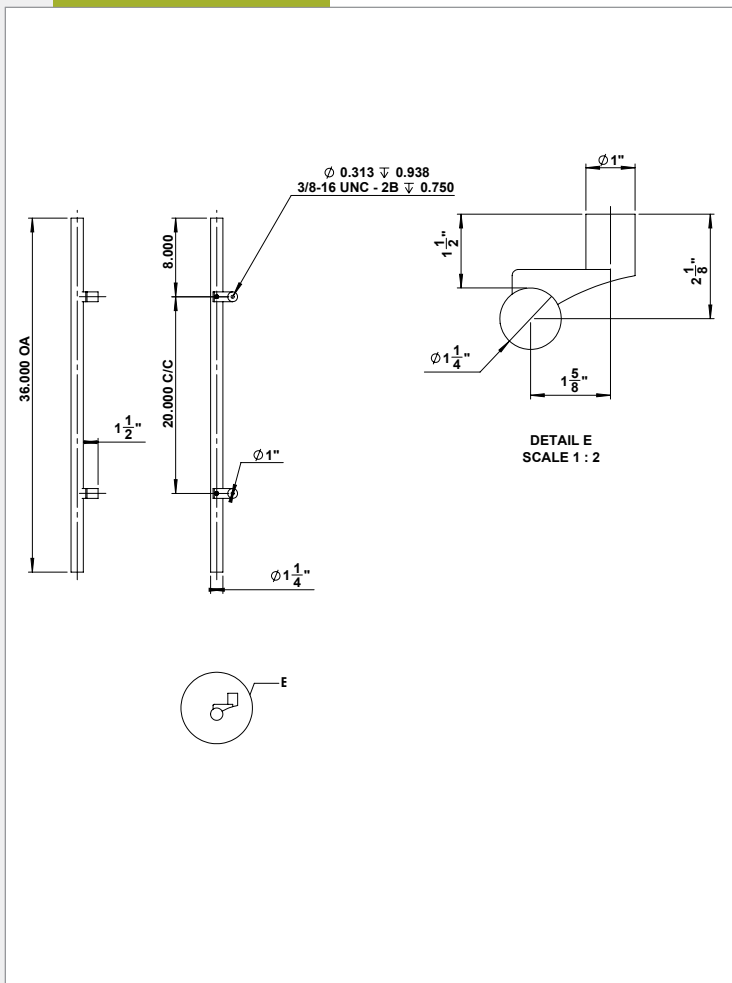
- Brass, Bronze, Stainless Steel, and Aluminum
- Screws for 1-3/4" Door Included
- C3, C4, C9, C10, C10B, C14, C15, C26, C26D, C28, and C32D



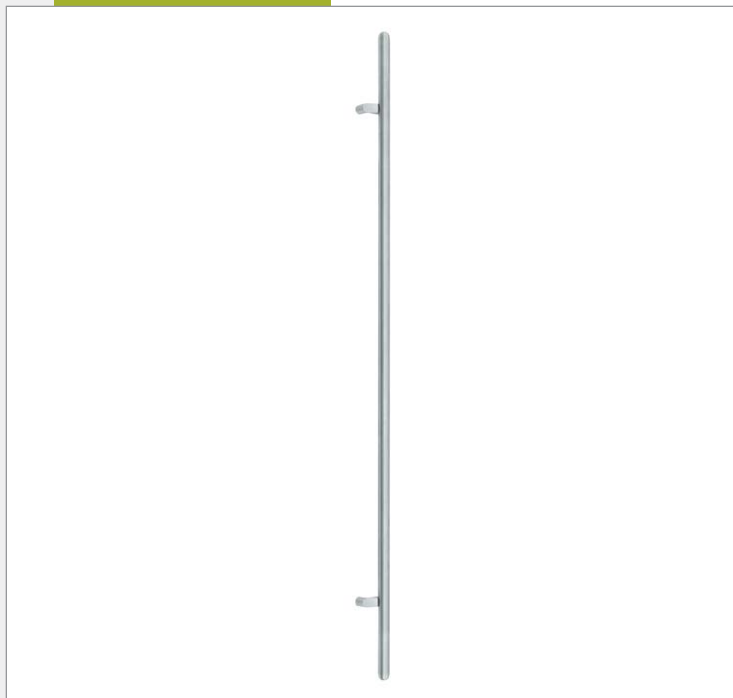
## GSH 164 OFFSET LADDER PULL



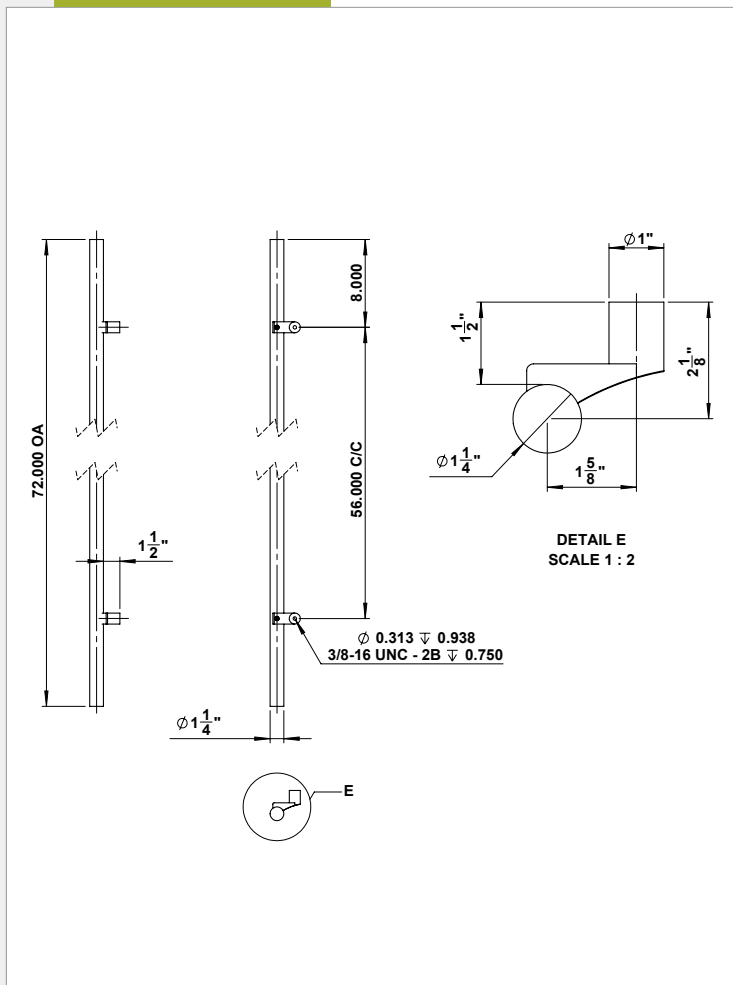
- Available in all B.H.M.A. and custom finishes
- Available sizes:  
20 (36 O/A), 56 (72 O/A) inches  
508 (914 .4 O/A), 914 .4 (1828 .8 O/A) millimetres
- How to order:  
F - Flat  
R - Round
- Note: Custom sizes & finishes available with extended lead time



## GSH 165 OFFSET LADDER PULL



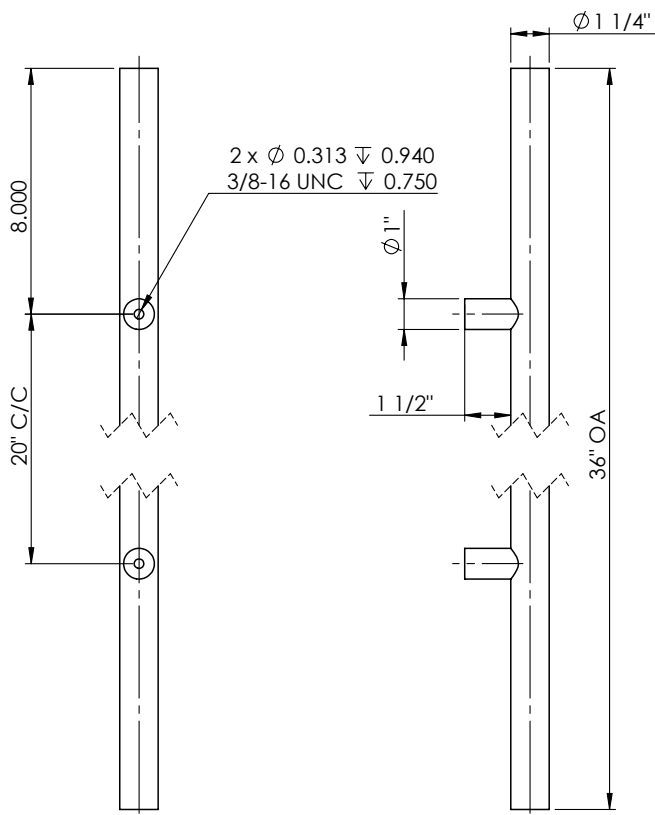
- Available in all B.H.M.A. and custom finishes
- Available sizes:  
20 (36 O/A), 56 (72 O/A) inches  
508 (914 .4 O/A), 914 .4 (1828 .8 O/A) millimetres
- How to order:  
F - Flat  
R - Round
- Note: Custom sizes & finishes available with extended lead time



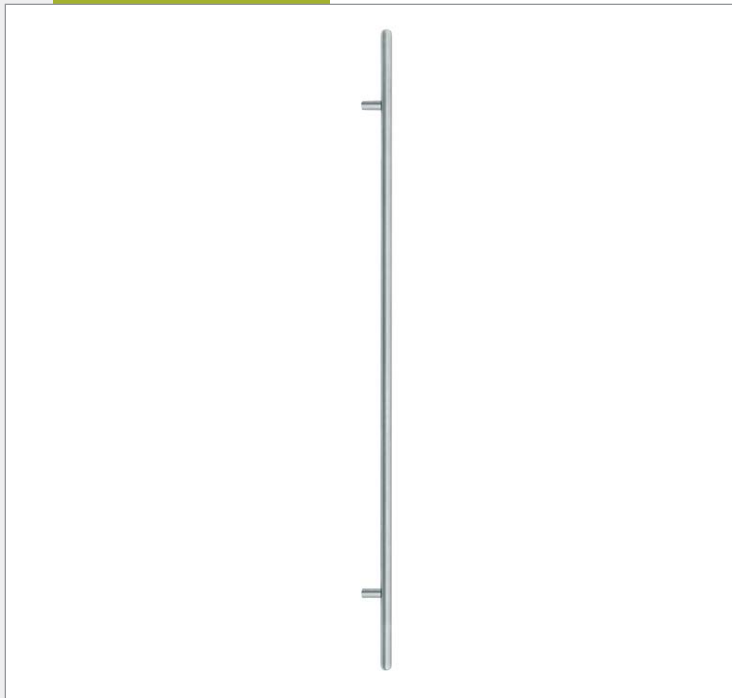
## GSH 166 STRAIGHT LADDER PULL



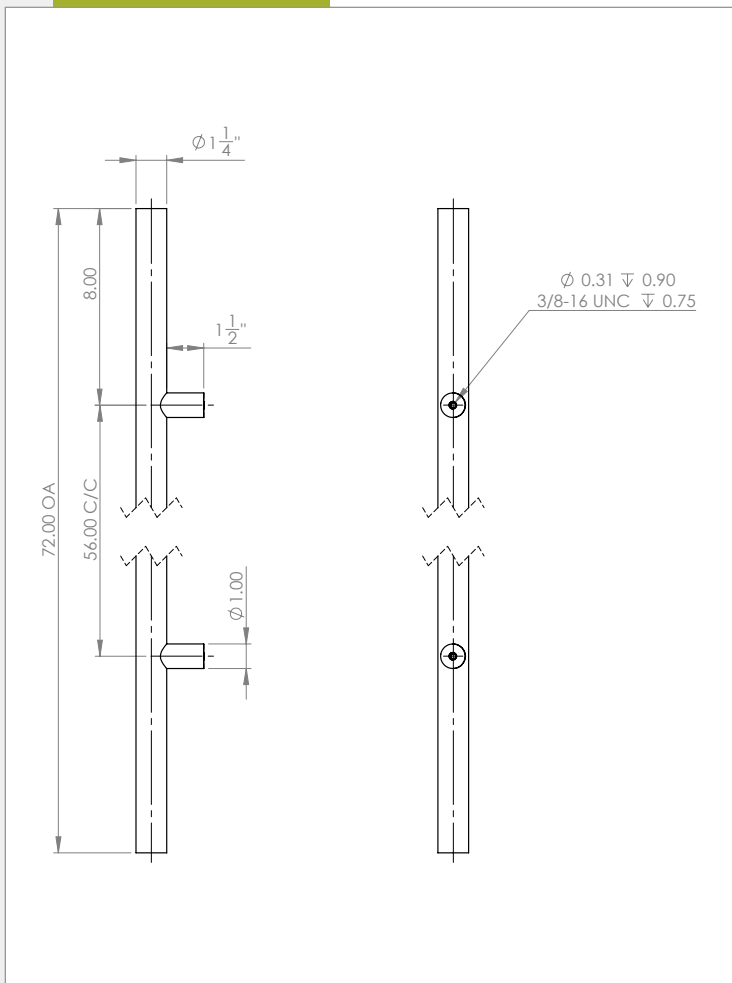
- Available in all B.H.M.A. and custom finishes
- Available sizes:  
20 (36 O/A), 56 (72 O/A) inches  
508 (914 .4 O/A), 914 .4 (1828 .8 O/A) millimetres
- How to order:  
F - Flat  
R - Round
- Note: Custom sizes & finishes available with extended lead time



## GSH 167 STRAIGHT LADDER PULL



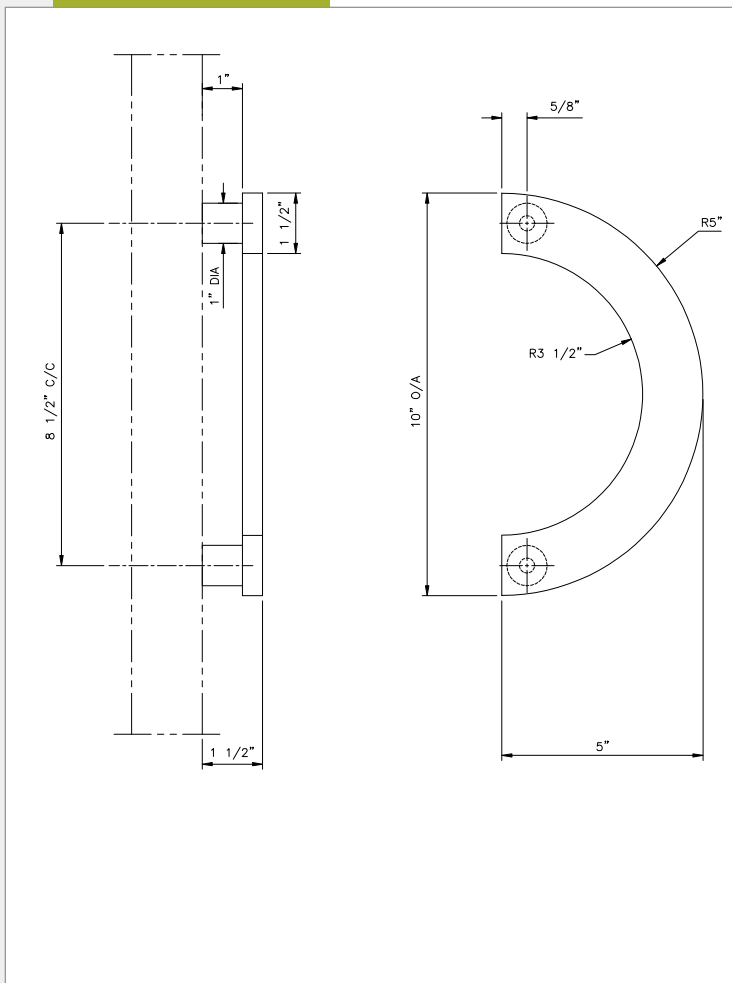
- Available in all B.H.M.A. and custom finishes
- Available sizes:  
20 (36 O/A), 56 (72 O/A) inches  
508 (914 .4 O/A), 914 .4 (1828 .8 O/A) millimetres
- How to order:  
F - Flat  
R - Round
- Note: Custom sizes & finishes available with extended lead time



## GSH 168 "C" SHAPE PULL 8 1/2" C/C



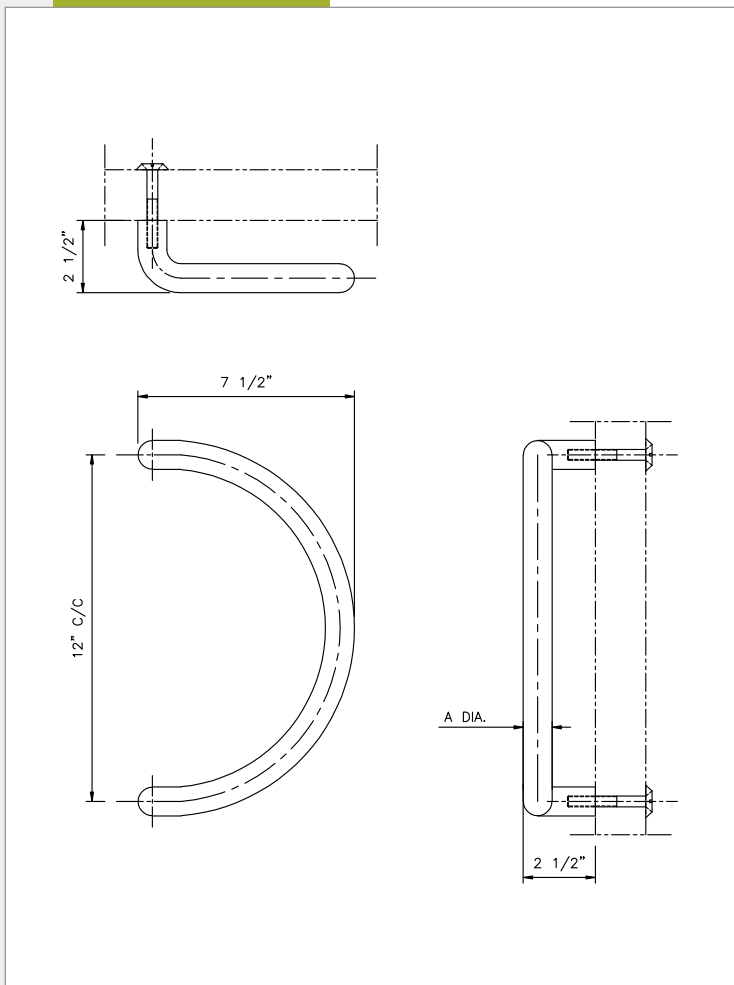
- Brass, Bronze, Stainless Steel, and Aluminum
- Screws for 1-3/4" Door Included
- C3, C4, C9, C10, C10B, C14, C15, C26, C26D, C28, and C32D



## GSH 169 "C" SHAPE PULL 12" C/C



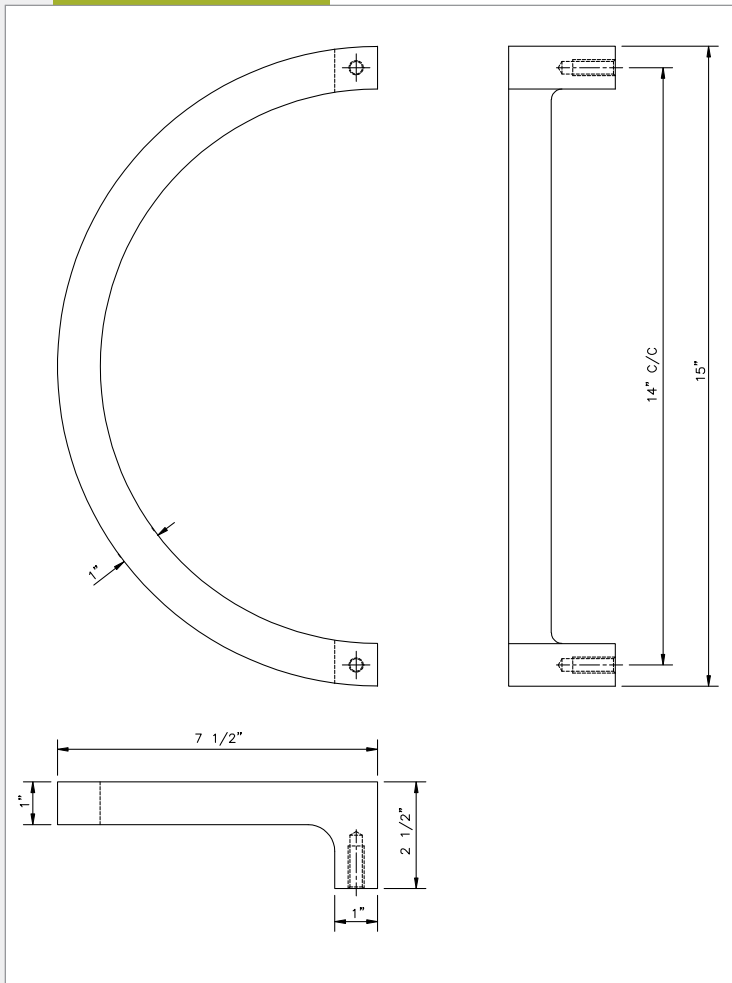
- Brass, Bronze, Stainless Steel, and Aluminum
- Screws for 1-3/4" Door Included
- C3, C4, C9, C10, C10B, C14, C15, C26, C26D, C28, and C32D



## GSH 170 "C" SHAPE PULL 14" C/C



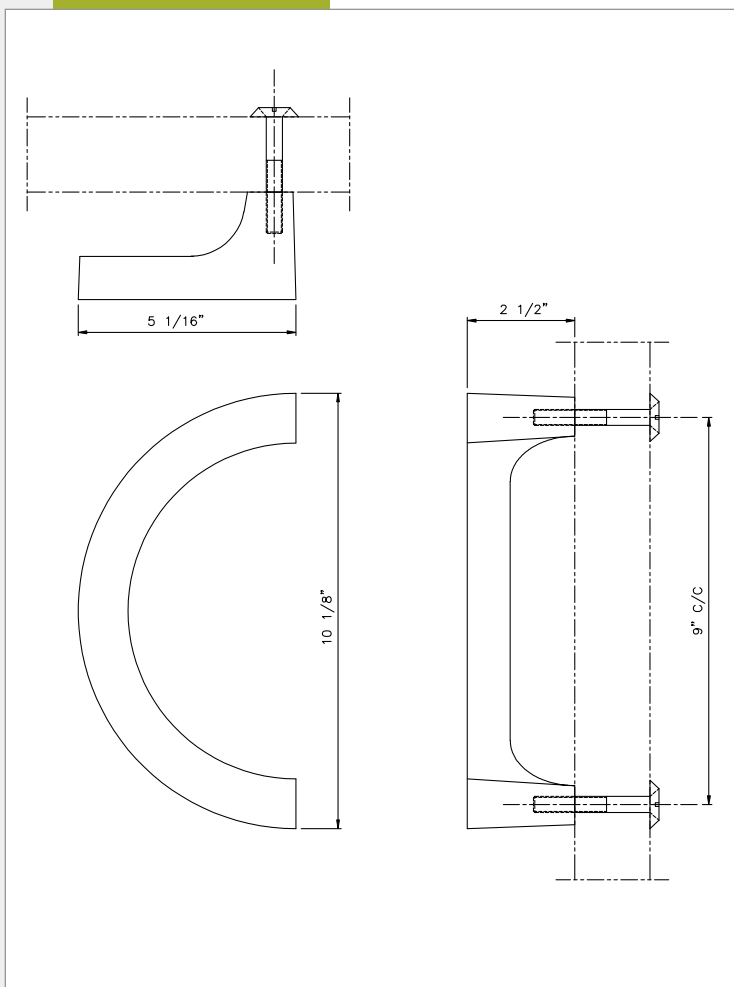
- Brass, Bronze, Stainless Steel, and Aluminum
- Screws for 1-3/4" Door Included
- C3, C4, C9, C10, C10B, C14, C15, C26, and C26D



## GSH 171 "C" SHAPE PULL 9" C/C

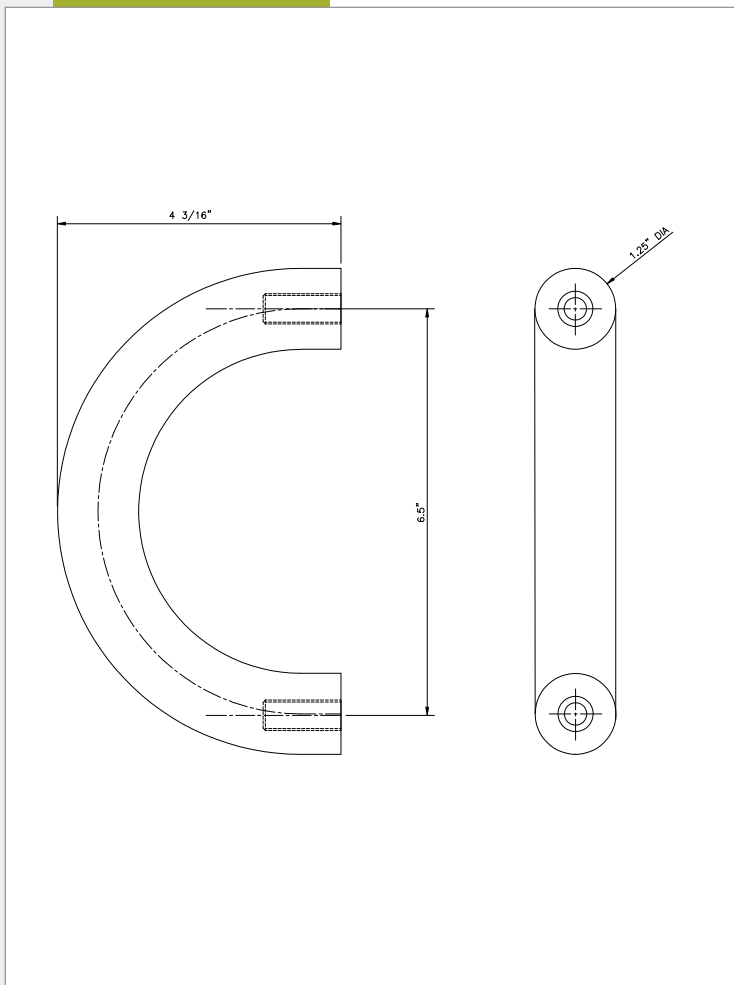


- Brass, Bronze, Stainless Steel, and Aluminum
- Screws for 1-3/4" Door Included
- C3, C4, C9, C10, C10B, C14, C15, C26, and C26D



**GSH 173 "C" SHAPE PULL 6 1/2" C/C**

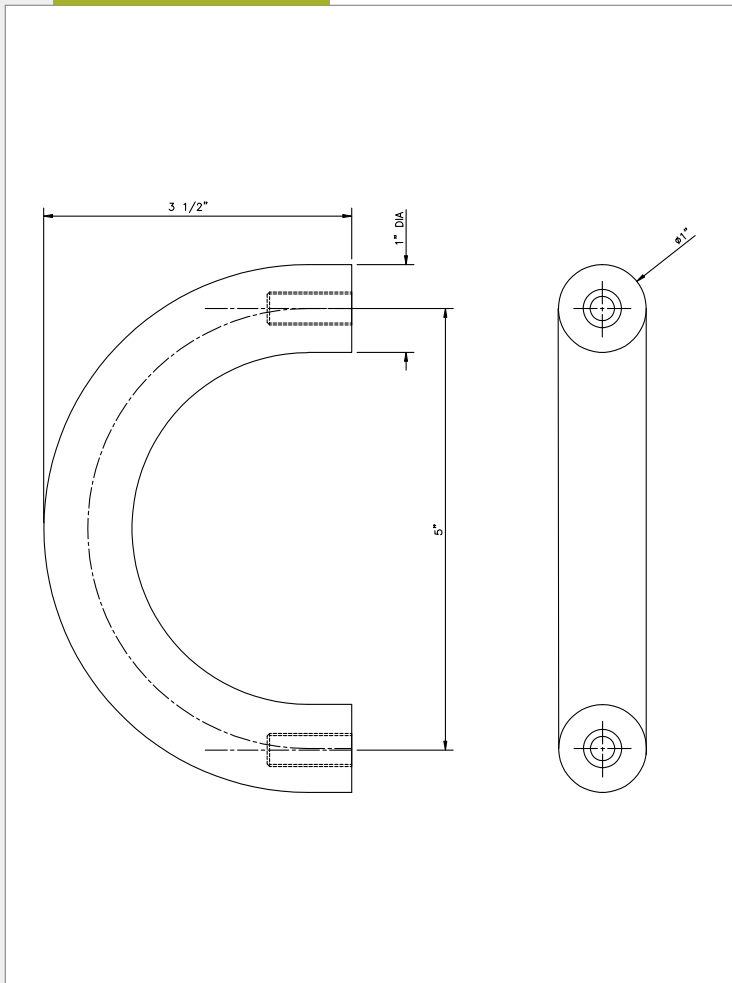
- Cast, Brass, Bronze, and Aluminum
- Fasteners for 1-3/4" Door Included
- C3, C4, C9, C10, C10B, C14, C15, C26, C26D, and C28



## GSH 174 "C" SHAPE PULL 5" C/C



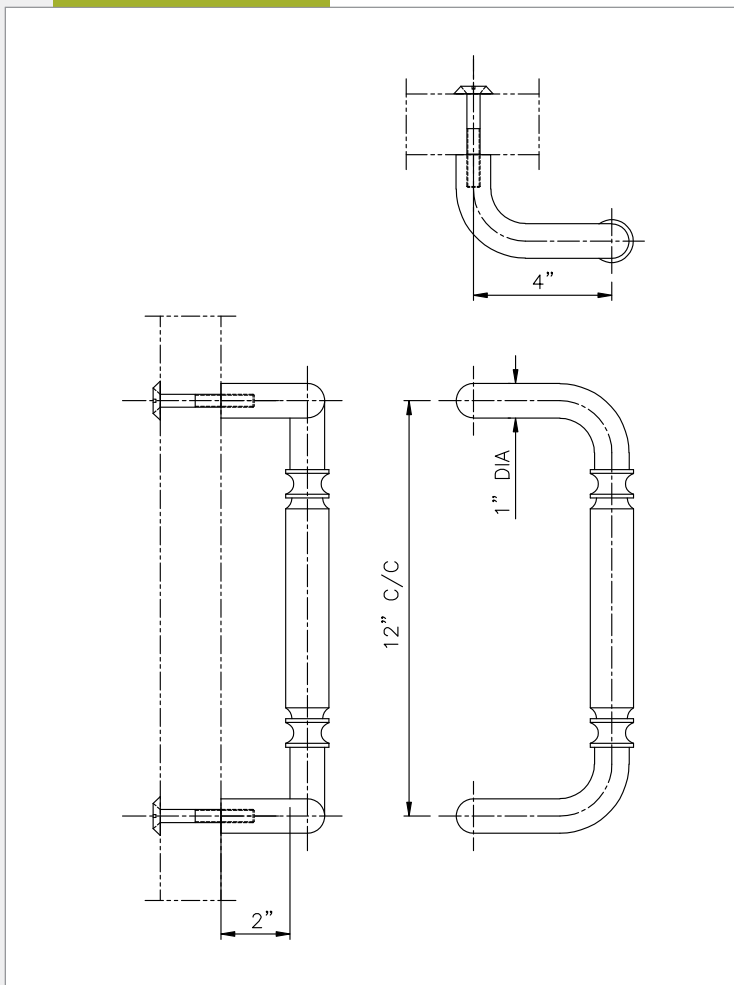
- Cast, Brass, Bronze, and Aluminum
- Fasteners for 1-3/4" Door Included
- C3, C4, C9, C10, C10B, C14, C15, C26, C26D, and C28



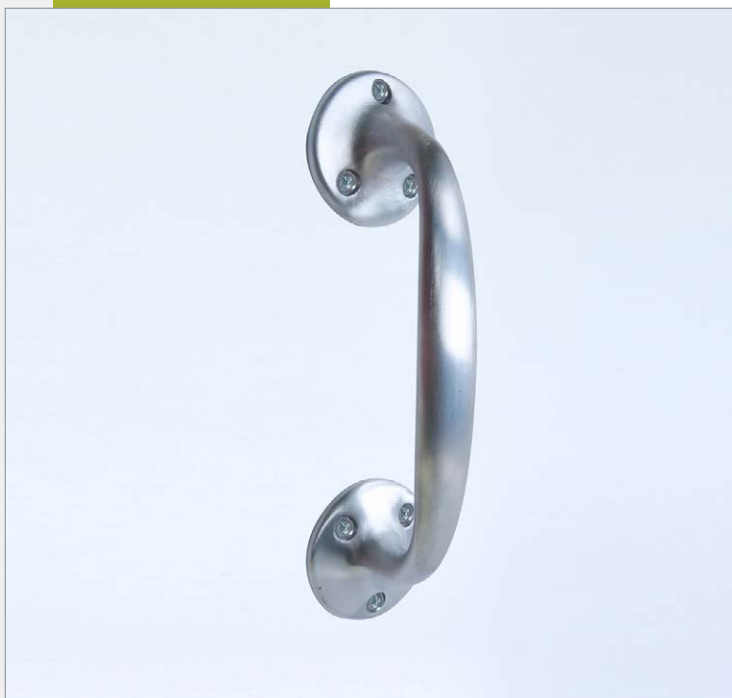
## GSH 181 OFFSET PULL 12" C/C



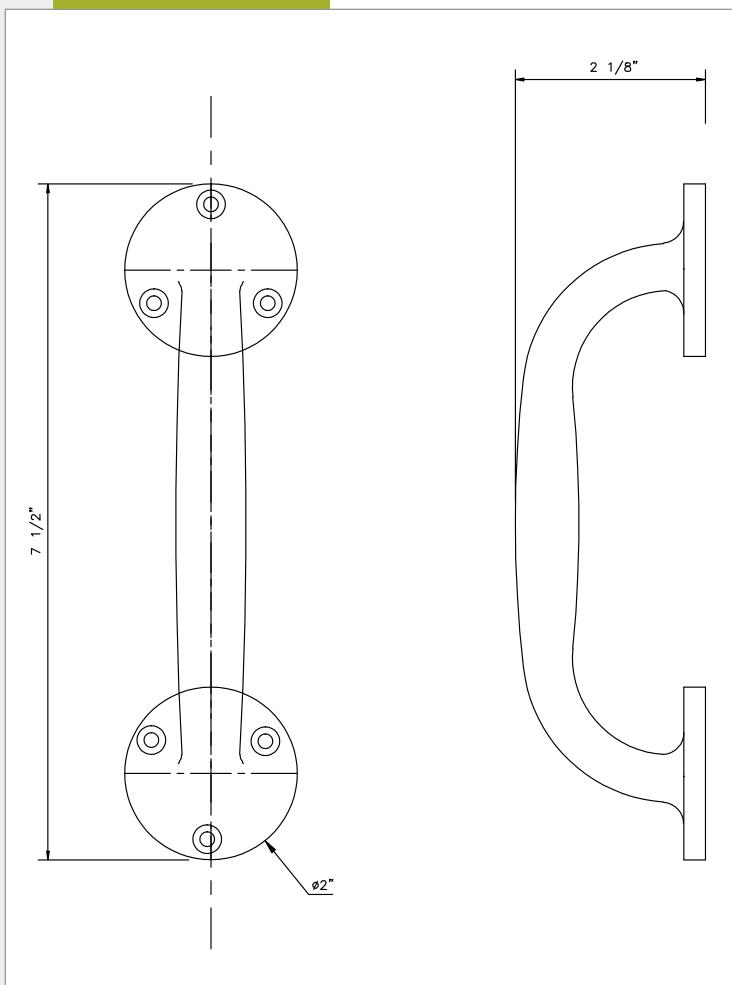
- Brass or Bronze
- Fasteners for 1-3/4" Door Included
- C3, C4, C9, C10, C10B, C14, C15, C26, and C26D



## GSH 900 CAST PULL 7 1/2" O/A



- Cast Brass or Bronze
- Fasteners for Wood Door Provided
- C3, C4, C9, C10, C10B, C14, C15, C26, and C26D



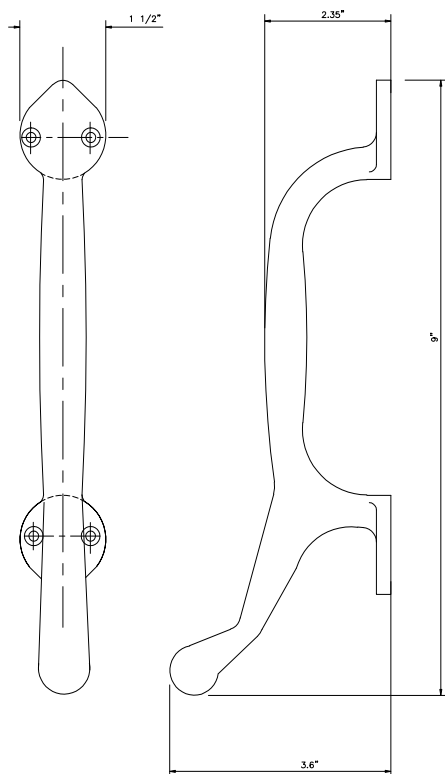
ALSO AVAILABLE IN FLAT TOP – 165F



## GSH 936 HOSPITAL PULL



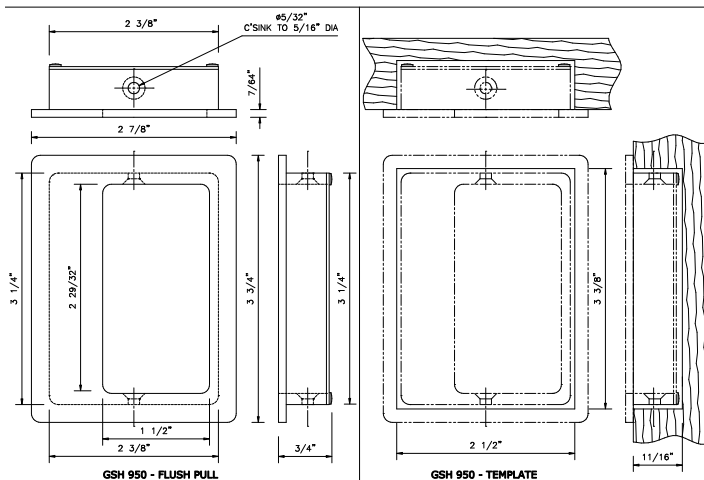
- Cast Brass or Bronze
- Fasteners for Wood Door Provided
- C3, C4, C9, C10, C10B, C14, C15, C26, and C26D



## GSH 950 FLUSH PULL



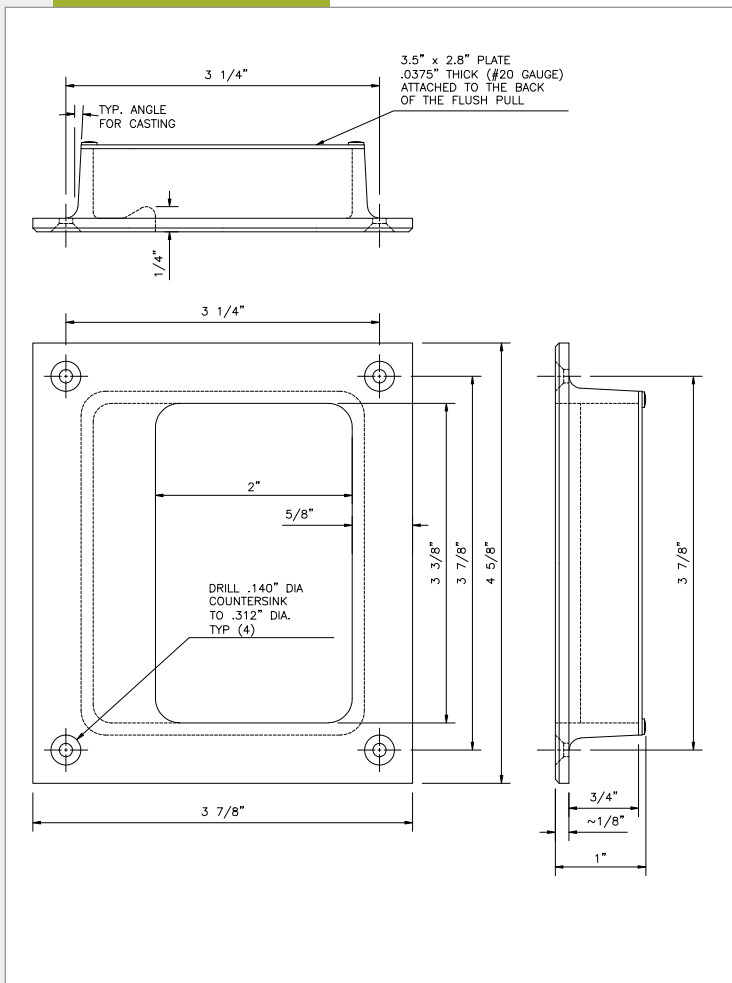
- Cast Brass or Bronze
- Wood Screws Provided
- C3, C4, C9, C10, C10B, C14, C15, C26, and C26D



## GSH 955 FLUSH PULL



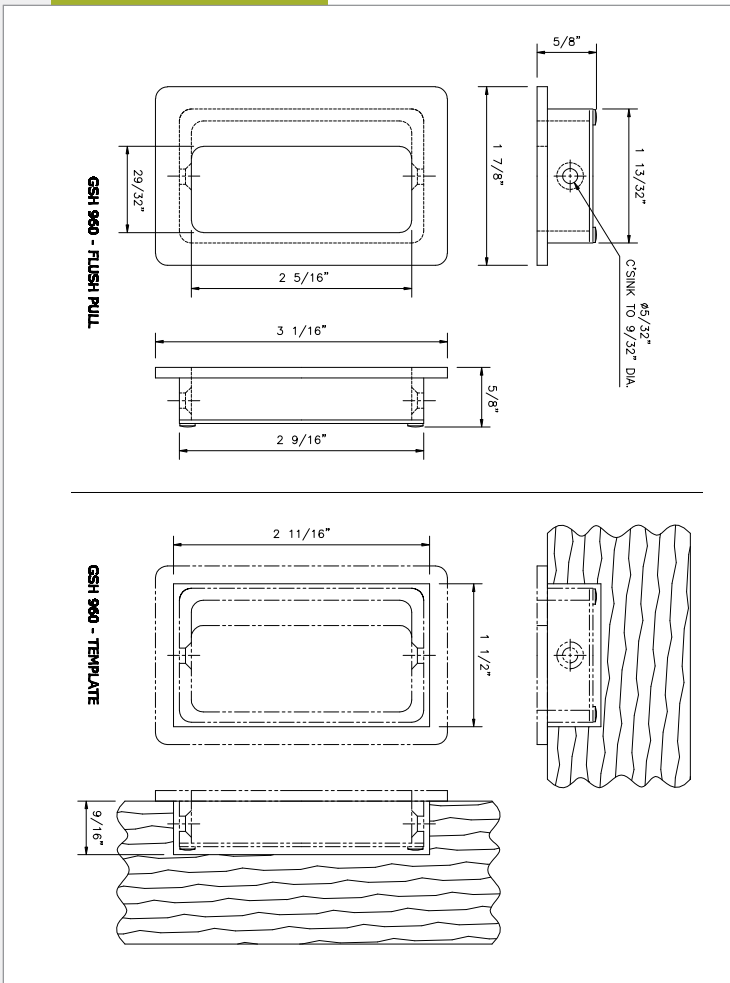
- Cast Brass or Bronze
- Wood Screws Provided
- C3, C4, C9, C10, C10B, C14, C15, C26, and C26D



## GSH 960 FLUSH PULL



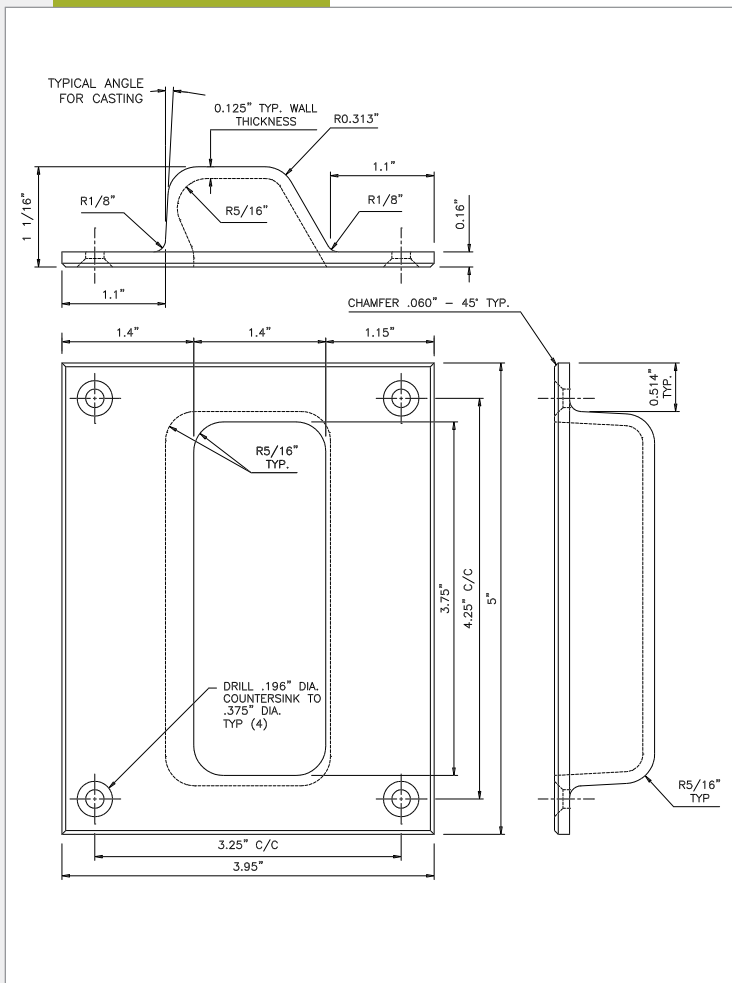
- Cast Brass or Bronze
- Wood Screws Provided
- C3, C4, C9, C10, C10B, C14, C15, C26, C26D, C32D



## GSH 961 FLUSH PULL

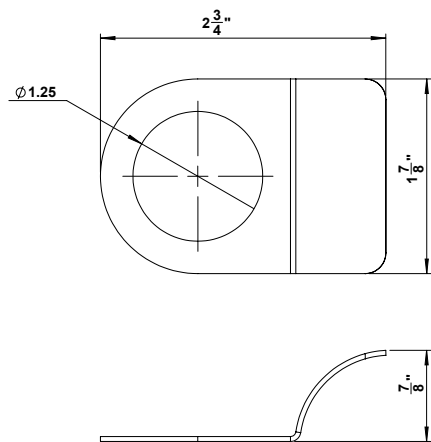


- Cast Brass
- Wood Screws Provided
- C26D



**GSH 980 CYLINDER PULL 1 1/4" DIA HOLE**

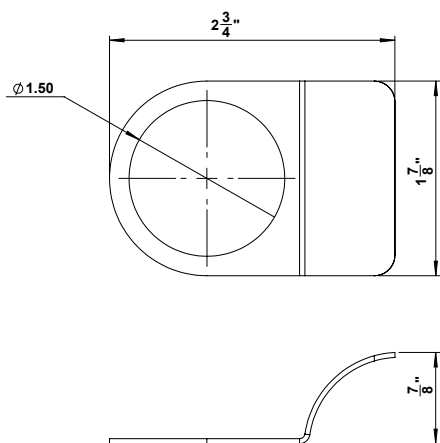
- Cast Brass and Bronze
- C3, C4, C9, C10, C10B, C14, C15, C26 and 26D



## GSH 980B CYLINDER PULL 1 1/2" DIA HOLE



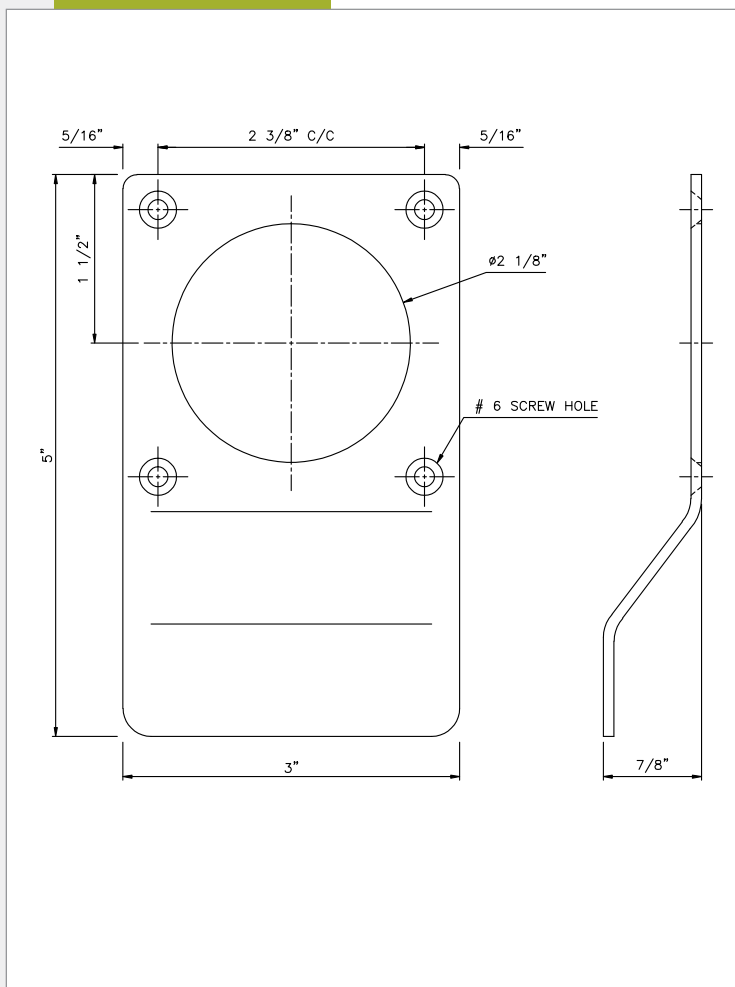
- Cast Brass and Bronze
- C3, C4, C9, C10, C10B, C14, C15, C26 and 26D



## GSH 981 CYLINDER PULL 2 1/8" DIA HOLE



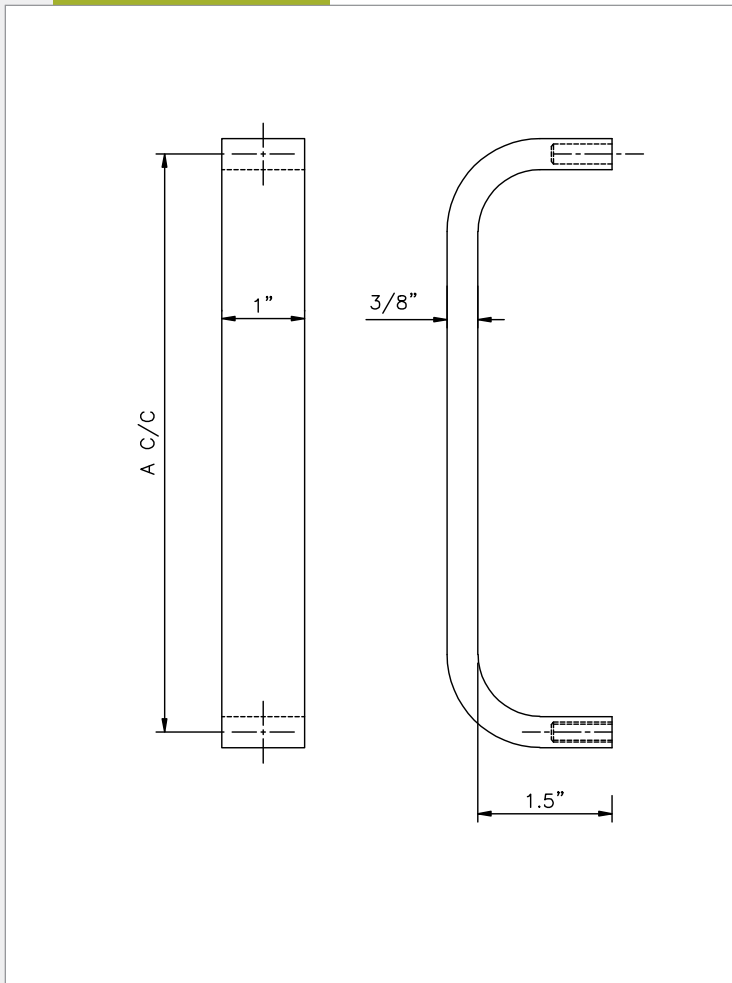
- Wrought Brass, Bronze, Aluminum and Stainless
- C3, C4, C9, C10, C10B, C14, C15, C26, C26D, C28 and C32D



## GSH 1007 7"-1009 9"-1012 12"



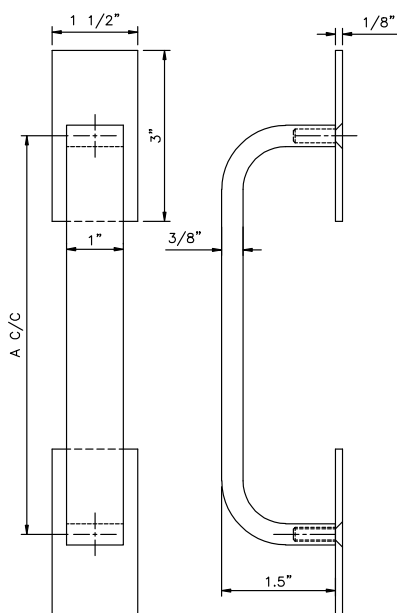
- Wrought Brass, Bronze, Aluminum and Stainless Steel
- Fasteners for 1 3/4" Door provided
- C3, C4, C9, C10, C10B, C14, C15, C26, C26D, C28 and C32D



## GSH 1107 7"-1109 9"-1112 12" C/W 1 1/2" X 3" BP



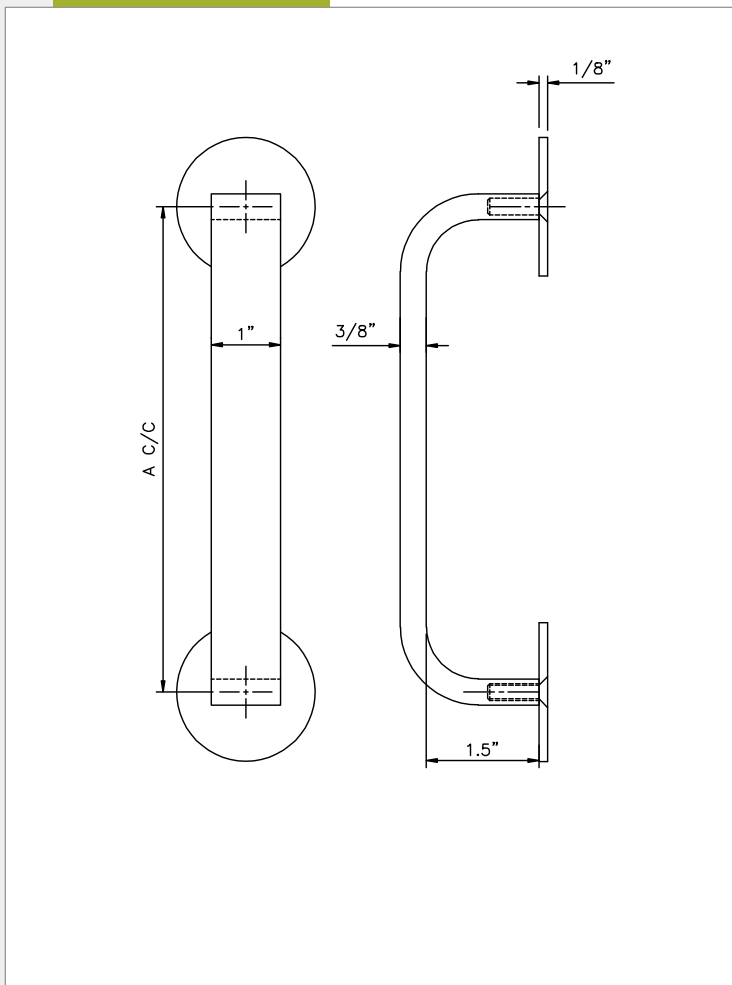
- Wrought Brass, Bronze, Aluminum and Stainless Steel
- Fasteners for 1 3/4" Door provided
- C3, C4, C9, C10, C10B, C14, C15, C26, C26D, C28 and C32D



## GSH 1207 7"-1209 9"-1212 12" C/W 2" DIA BP



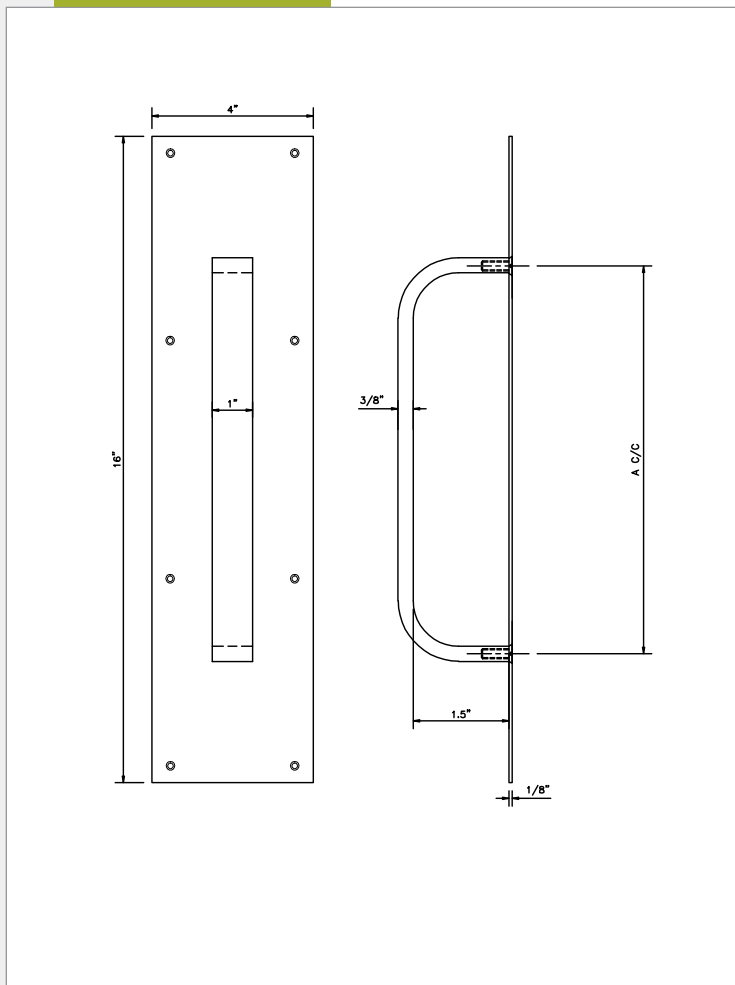
- Wrought Brass, Bronze, Aluminum and Stainless Steel
- Fastners for 1 3/4" Door provided
- C3, C4, C9, C10, C10B, C14, C15, C26, C26D, C28 and C32D



## GSH 1207 7"-1209 9"-1212 12" C/W BP



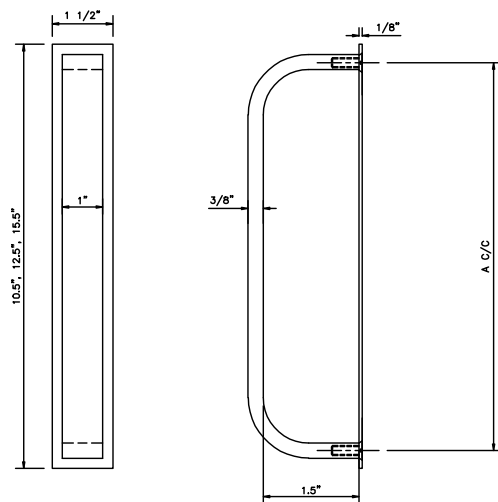
- Wrought Brass, Bronze, Aluminum and Stainless Steel
- Fasteners for 1 3/4" Door provided
- C3, C4, C9, C10, C10B, C14, C15, C26, C26D, C28 and C32D



## GSH 1907 7"-1909 9"-1912 12" C/W BP



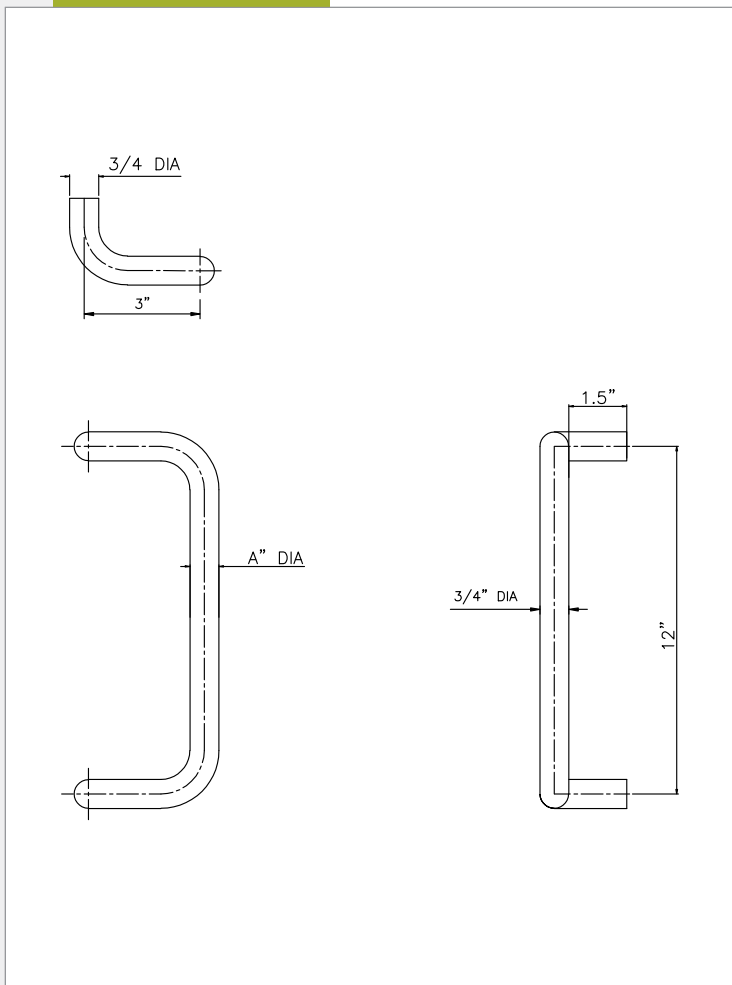
- Wrought Brass, Bronze, Aluminum and Stainless Steel
- Fastners for 1 3/4" Door provided
- C3, C4, C9, C10, C10B, C14, C15, C26, C26D, C28 and C32D



## GSH 1180 - (1, 2, 3 OR 4) 12" C/C



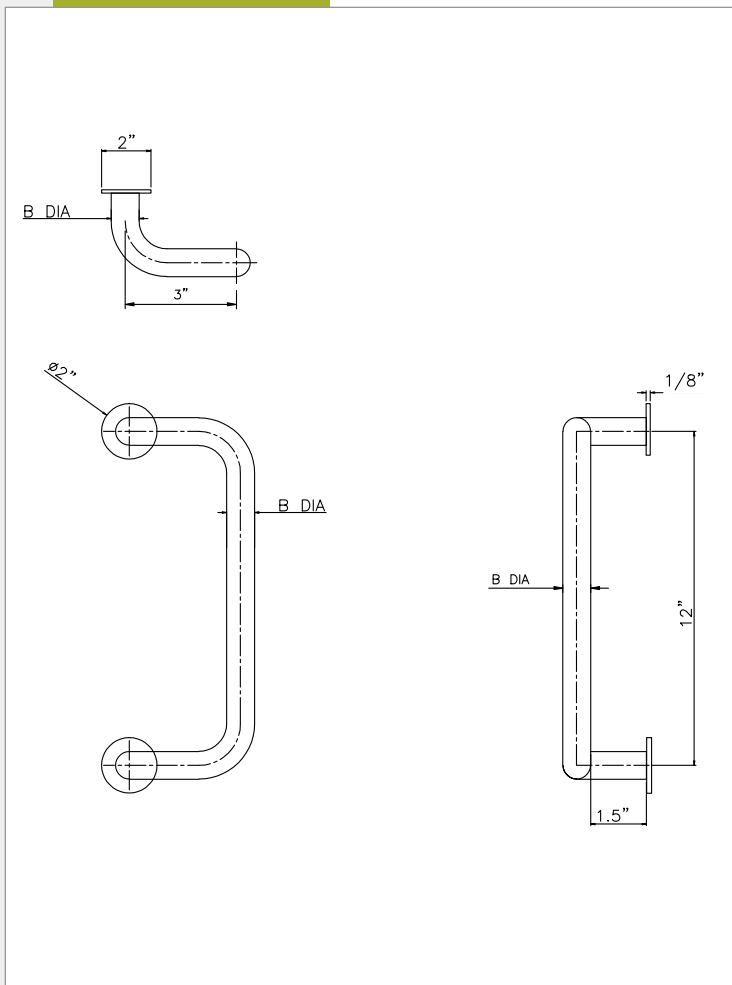
- Wrought Brass, Bronze, Aluminum and Stainless Steel
- Fasteners for 1 3/4" Door provided
- C3, C4, C9, C10, C10B, C14, C15, C26, C26D, C28 and C32D
- 1=3/4" DIA
- 2=1" DIA
- 3=1-1/4" DIA
- 4=1-1/2" DIA



## GSH 1181 - (1, 2, 3 OR 4) 12" C/C C/W 2" DIA ROSES



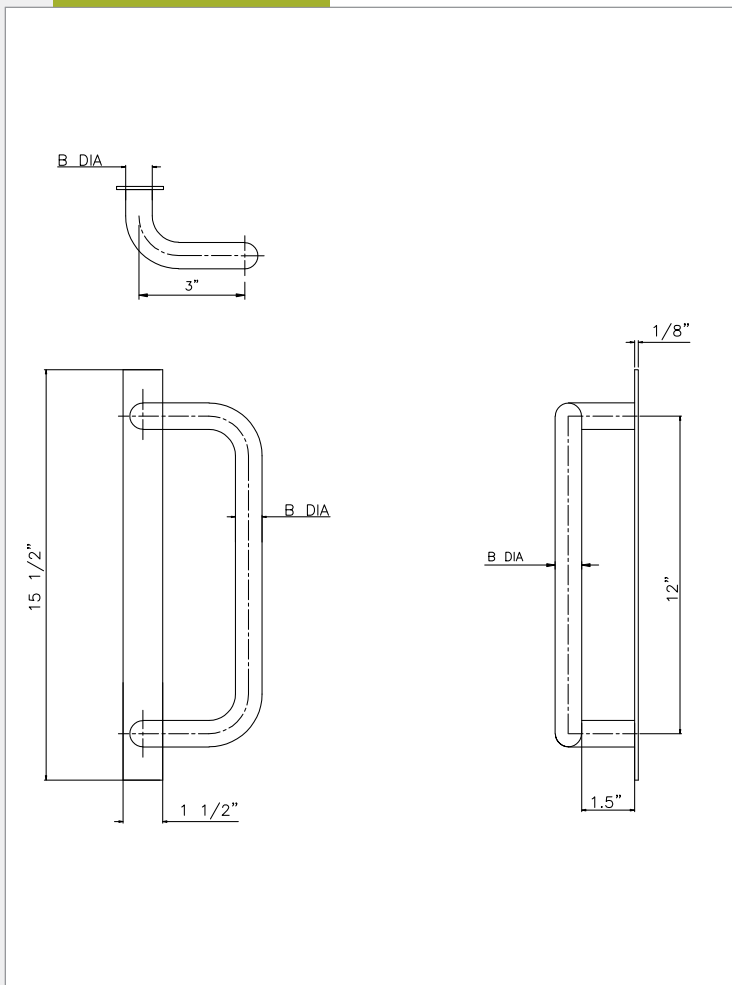
- Wrought Brass, Bronze, Aluminum and Stainless Steel
- Fasteners for 1 3/4" Door provided
- C3, C4, C9, C10, C10B, C14, C15, C26, C26D, C28 and C32D
- 1=3/4" DIA
- 2=1" DIA
- 3=1-1/4" DIA
- 4=1-1/2" DIA



## GSH 1182 - (1, 2, 3 OR 4) 12" C/C C/W PLATE



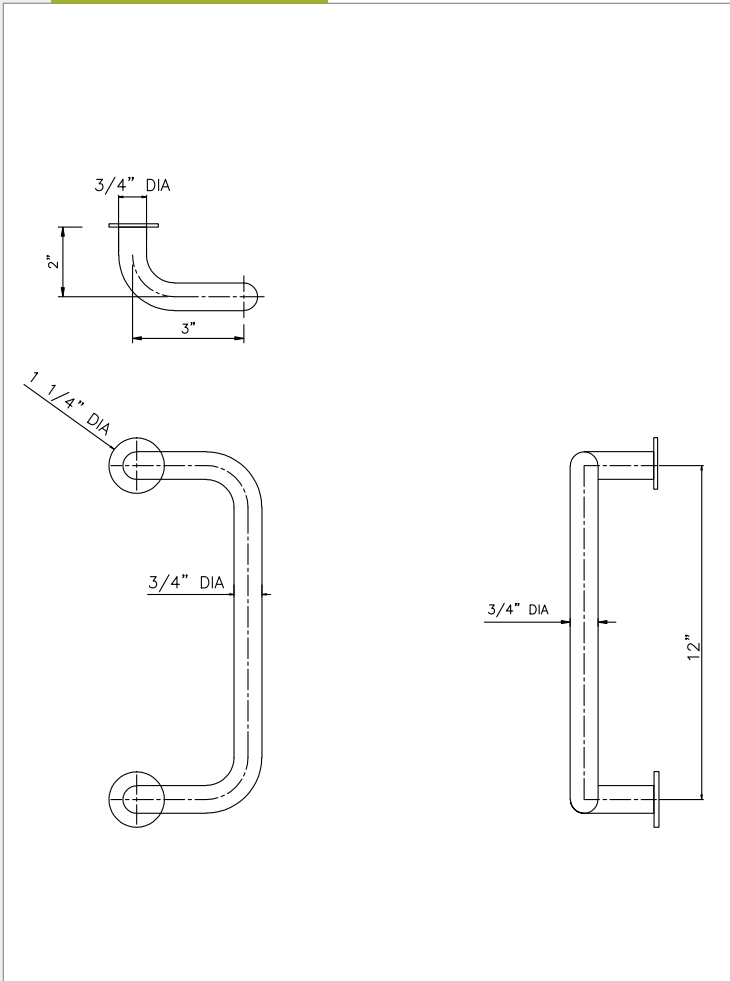
- Wrought Brass, Bronze, Aluminum and Stainless Steel
- Fasteners for 1 3/4" Door provided
- C3, C4, C9, C10, C10B, C14, C15, C26, C26D, C28 and C32D
- 1=3/4" DIA
- 2=1" DIA
- 3=1-1/4" DIA
- 4=1-1/2" DIA



## GSH 1184 - (1, 2, 3 OR 4) 12" C/C C/W 1 1/4" WASHERS



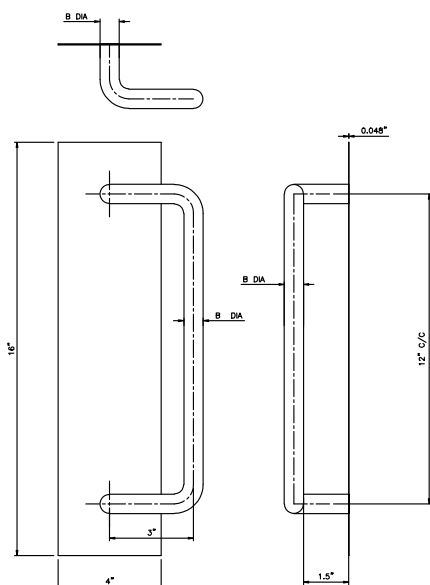
- Wrought Brass, Bronze, Aluminum and Stainless Steel
- Fasteners for 1 3/4" Door provided
- C3, C4, C9, C10, C10B, C14, C15, C26, C26D, C28 and C32D
- 1=3/4" DIA
- 2=1" DIA
- 3=1-1/4" DIA
- 4=1-1/2" DIA



## GSH 1185 - (1, 2, 3 OR 4) 12" C/C C/W PLATE



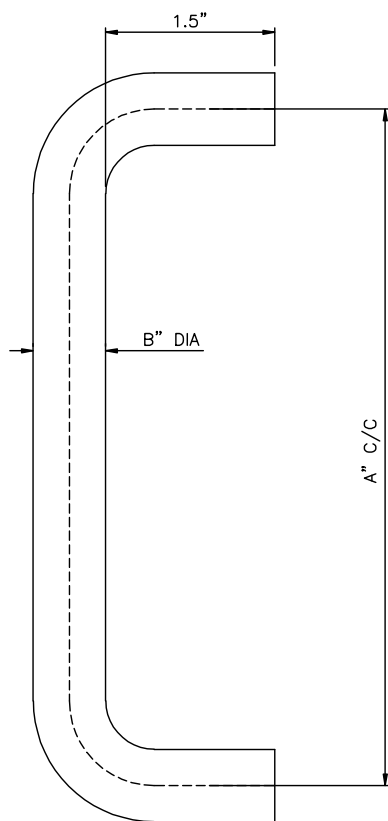
- Wrought Brass, Bronze, Aluminum and Stainless Steel
- Fasteners for 1 3/4" Door provided
- C3, C4, C9, C10, C10B, C14, C15, C26, C26D, C28 and C32D
- 1=3/4" DIA
- 2=1" DIA
- 3=1-1/4" DIA
- 4=1-1/2" DIA



## GSH 4007 7"-4009 9"-4012 12" (1, 2, 3 OR 4)



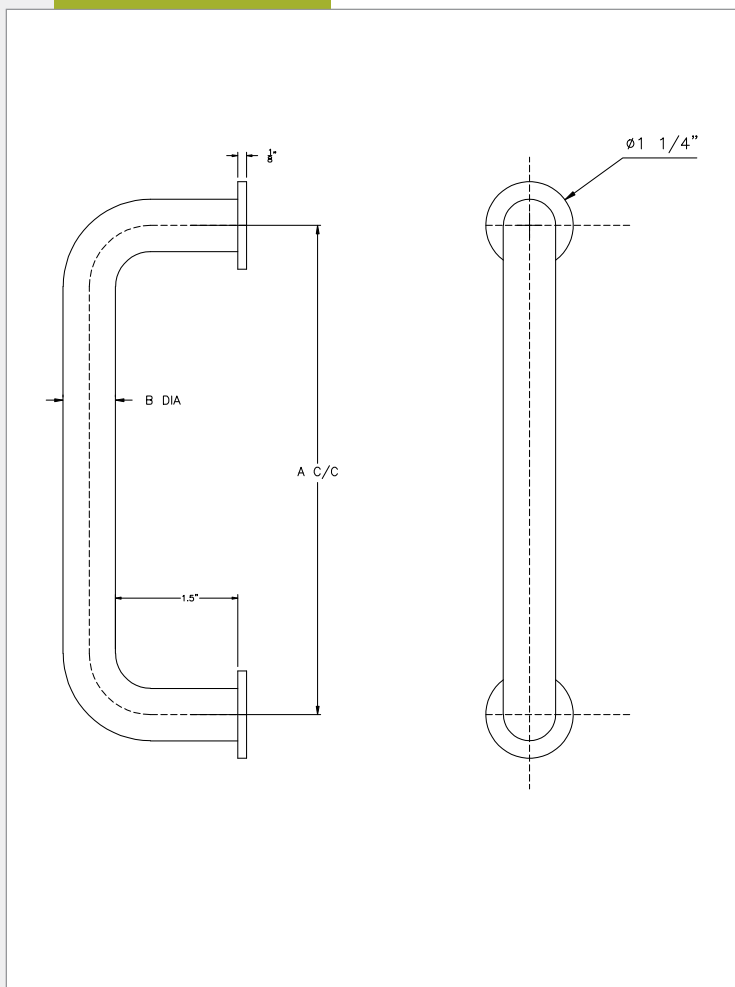
- Wrought Brass, Bronze, Aluminum and Stainless Steel
- Fasteners for 1 3/4" Door provided
- C3, C4, C9, C10, C10B, C14, C15, C26, C26D, C28 and C32D
- 1=3/4" DIA
- 2=1" DIA
- 3=1-1/4" DIA
- 4=1-1/2" DIA



## GSH 4107 7"-4109 9"-4112 12" C/W 1-1/4 WASHERS



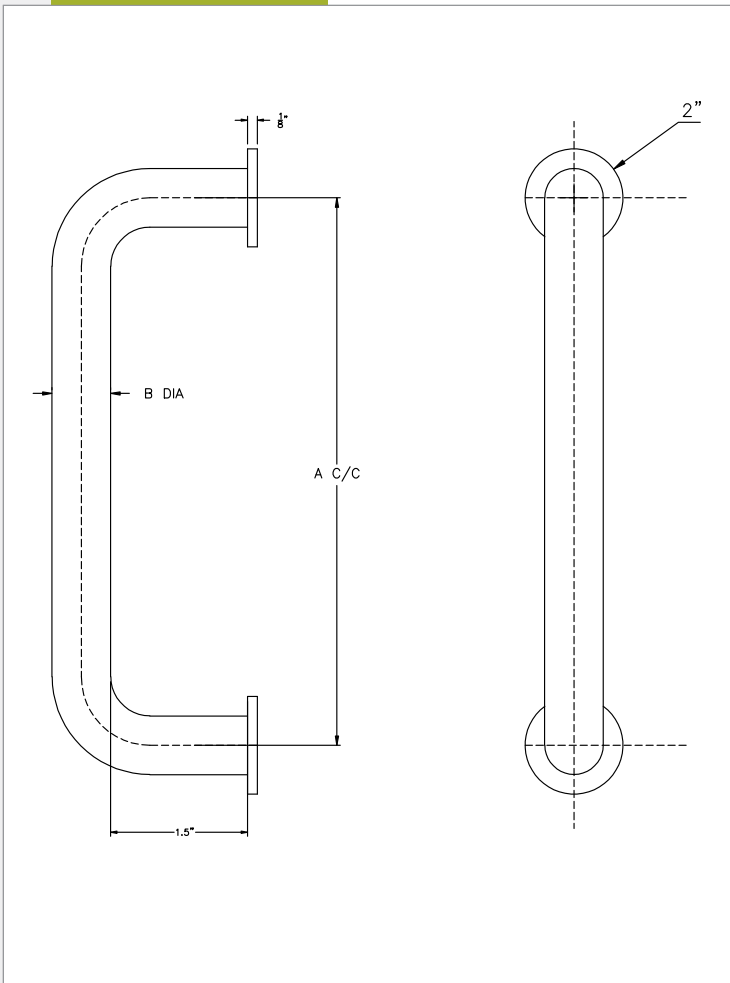
- Wrought Brass, Bronze, Aluminum and Stainless Steel
- Fasteners for 1 3/4" Door provided
- C3, C4, C9, C10, C10B, C14, C15, C26, C26D, C28 and C32D
- 1=3/4" DIA
- 2=1" DIA
- 3=1-1/4" DIA
- 4=1-1/2" DIA



## GSH 4207 7"-4209 9"-4212 12" C/W 2" WASHERS



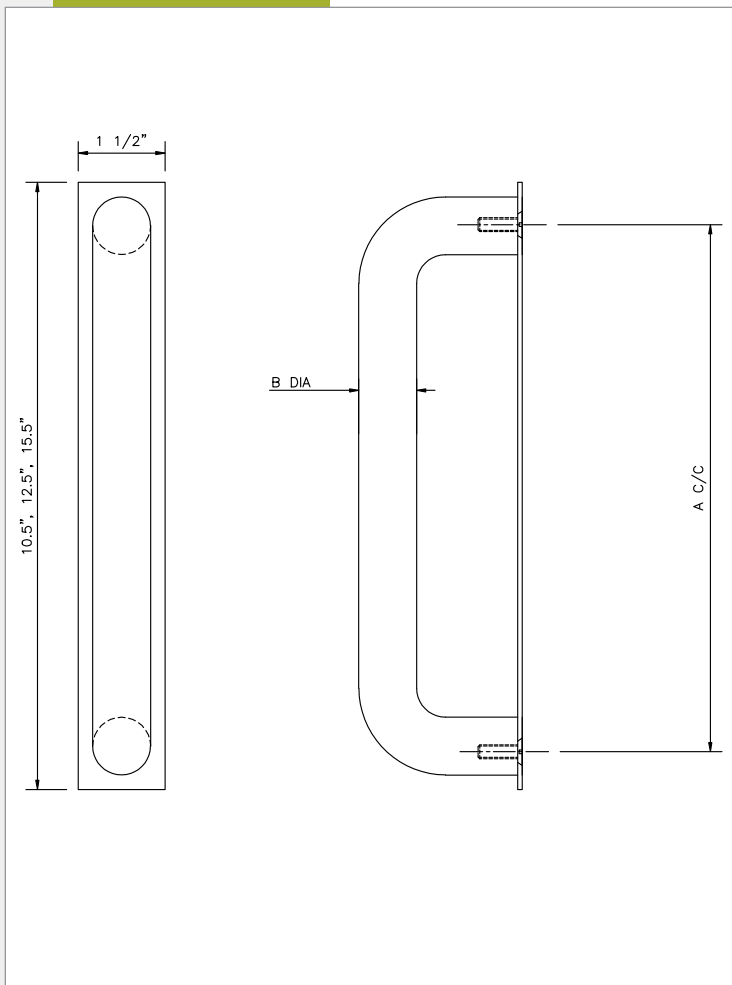
- Wrought Brass, Bronze, Aluminum and Stainless Steel
- Fasteners for 1 3/4" Door provided
- C3, C4, C9, C10, C10B, C14, C15, C26, C26D, C28 and C32D
- 1=3/4" DIA
- 2=1" DIA
- 3=1-1/4" DIA
- 4=1-1/2" DIA



## GSH 4307 7"-4309 9"-4312 12" C/W NARROW PLATE



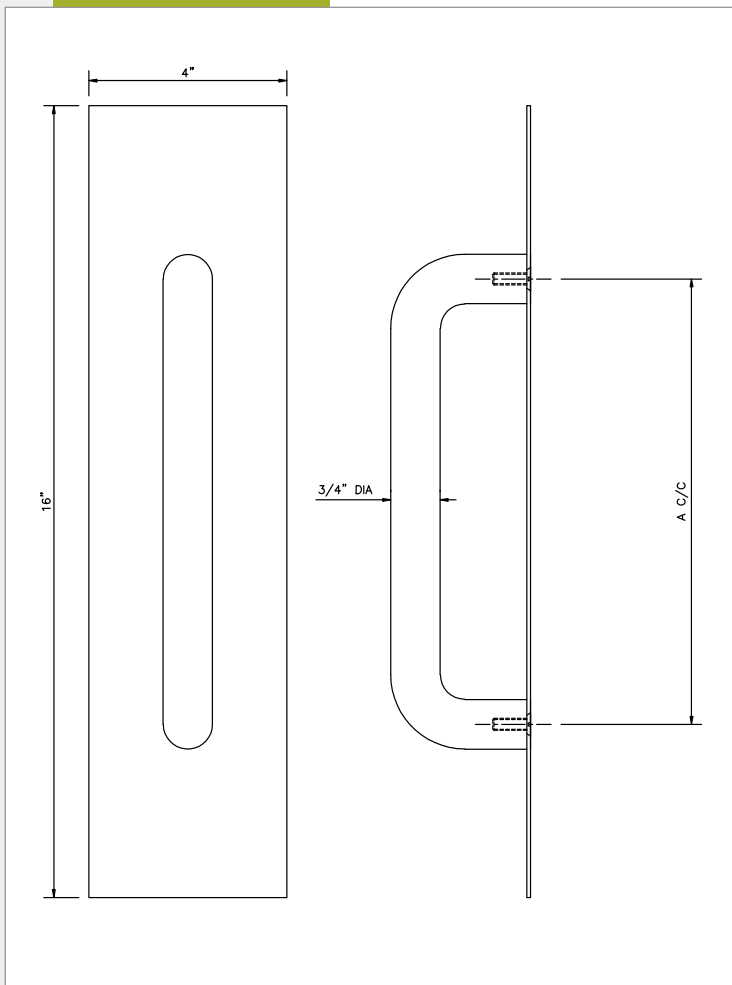
- Wrought Brass, Bronze, Aluminum and Stainless Steel
- Fasteners for 1 3/4" Door provided
- C3, C4, C9, C10, C10B, C14, C15, C26, C26D, C28 and C32D
- 1=3/4" DIA
- 2=1" DIA
- 3=1-1/4" DIA
- 4=1-1/2" DIA



## GSH 4607 7"-4609 9"-4612 12" C/W PLATE



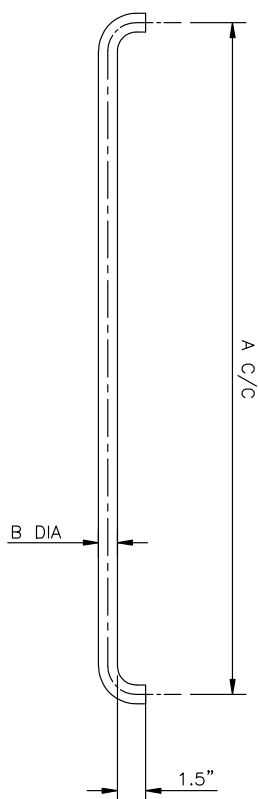
- Wrought Brass, Bronze, Aluminum and Stainless Steel
- Fasteners for 1 3/4" Door provided
- C3, C4, C9, C10, C10B, C14, C15, C26, C26D, C28 and C32D
- 1=3/4" DIA
- 2=1" DIA
- 3=1-1/4" DIA
- 4=1-1/2" DIA



## GSH 5000 - PUSH BAR OR LONG DOOR PULL



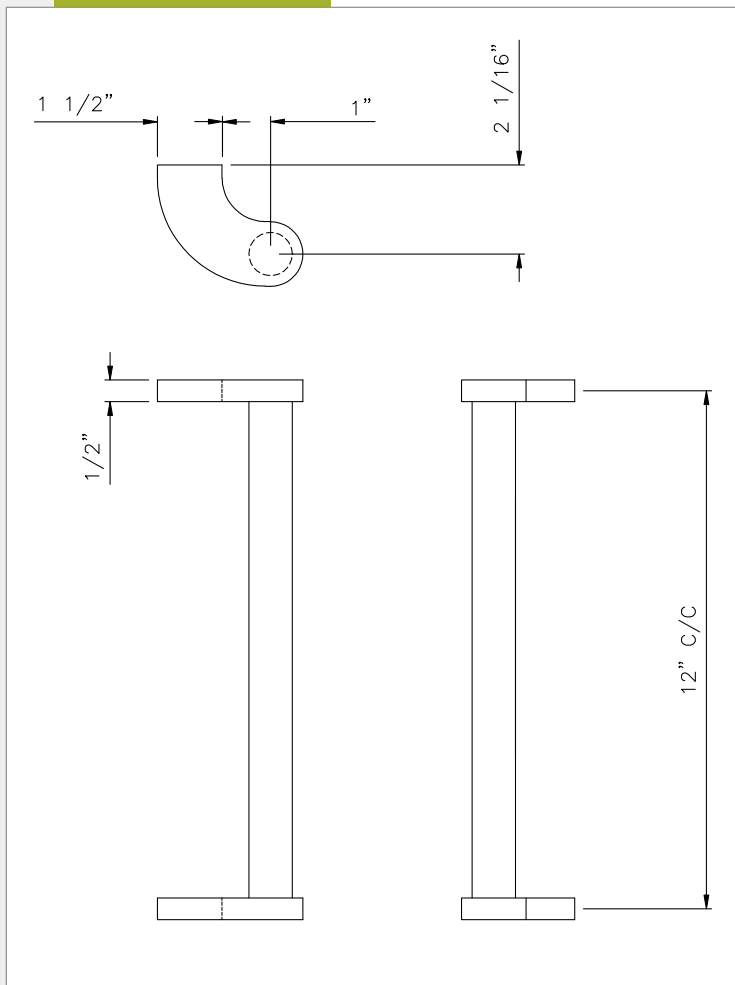
- Wrought Brass, Bronze, Aluminum and Stainless Steel
- Fasteners for 1 3/4" Door provided
- C3, C4, C9, C10, C10B, C14, C15, C26, C26D, C28 and C32D
- 1=3/4" DIA
- 2=1" DIA
- 3=1-1/4" DIA
- 4=1-1/2" DIA
- Specify A C/C
- Specify B Diameter



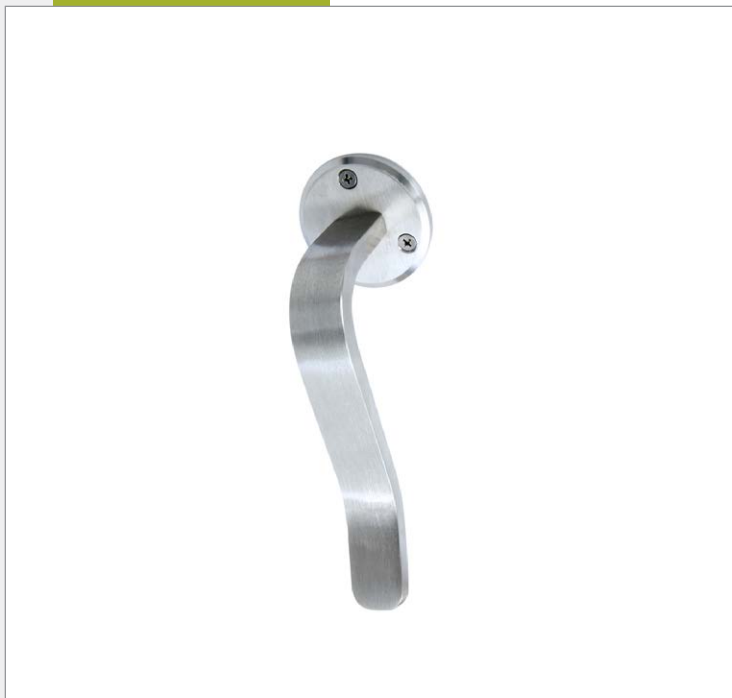
## GSH 6012 12" C/C STANDARD



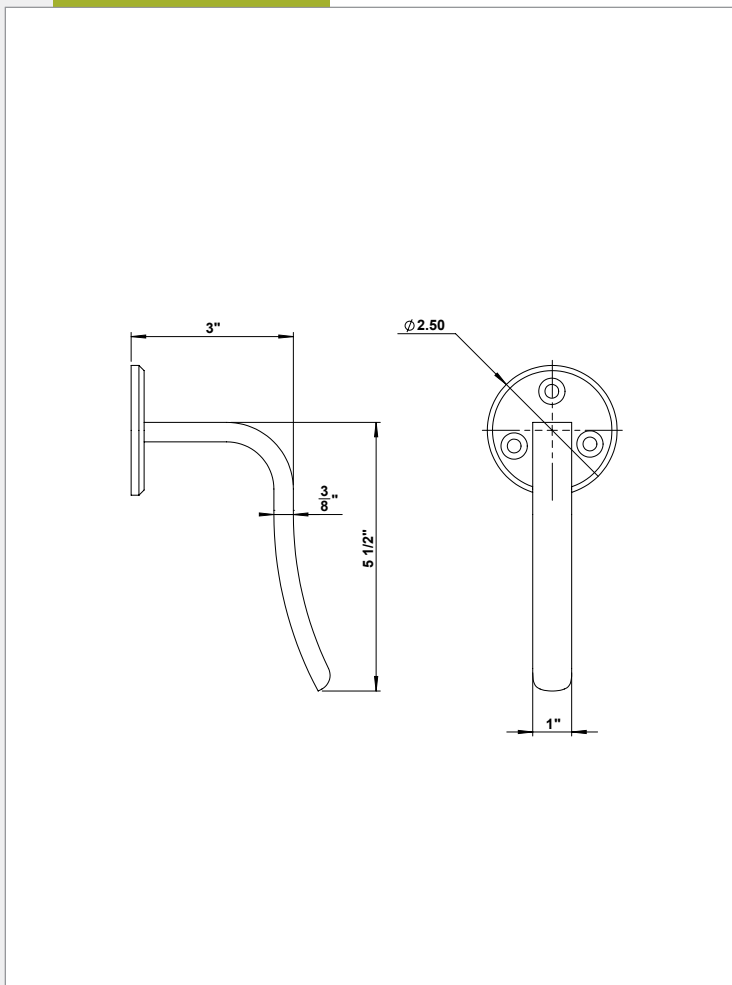
- Brass and Aluminum
- Fasteners for 1 3/4" Door provided
- C3, C4, C14, C26, C26D and C28



## GSH 2200H HOSPITAL PULL C/W ROUND ROSE



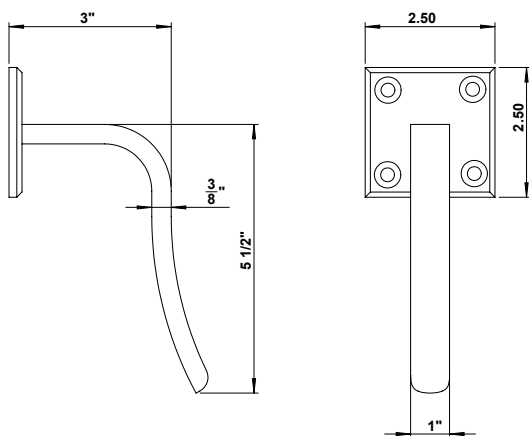
- Brass and Stainless Steel
- Fasteners provided
- C3, C4, C14, C26, C26D and C28



## GSH 2300H HOSPITAL PULL C/W SQUARE BACK PLATE

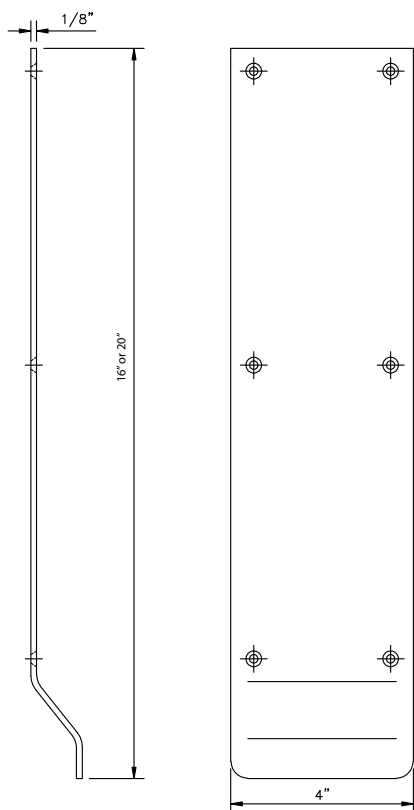


- Brass and Stainless Steel
- Fasteners provided
- C3, C4, C14, C26, C26D and C32D



**GSH 2616H 4X16-2620H 4X20 HOSPITAL PUSH/ PULL**

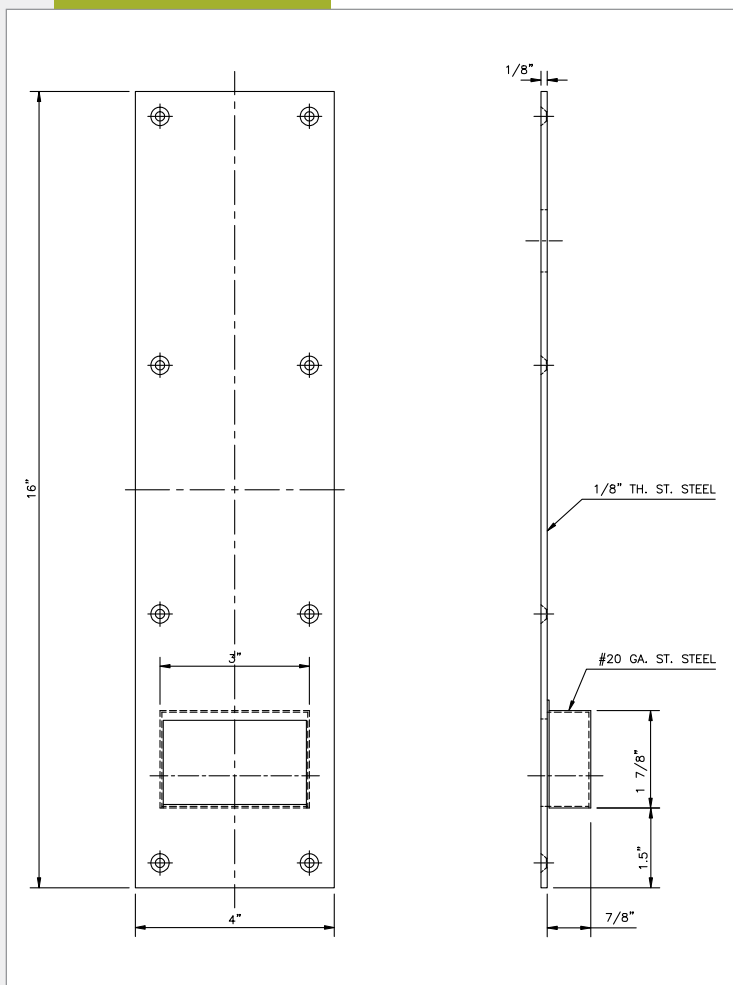
- Brass, Bronze, Aluminum and Stainless Steel
- Fasteners provided
- C3, C4, C9, C10, C10B, C14, C15, C26, C26D, C28D and C32D



## GSH 2633 4X16 HOSPITAL PUSH/ PULL



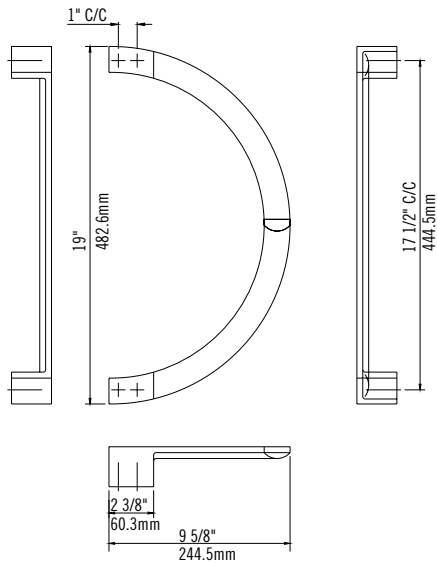
- Stainless Steel
- C32D



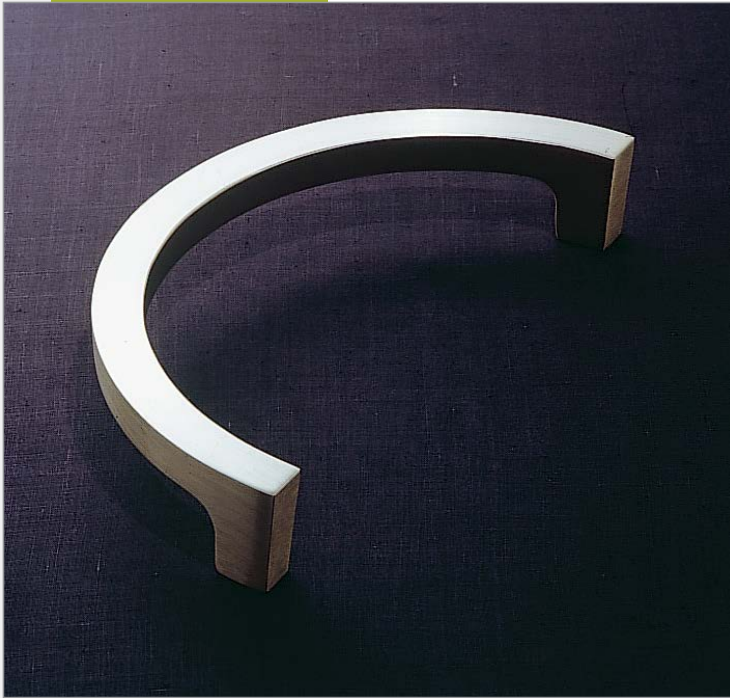
## GSH 130A 17½" C-SHAPE PULL



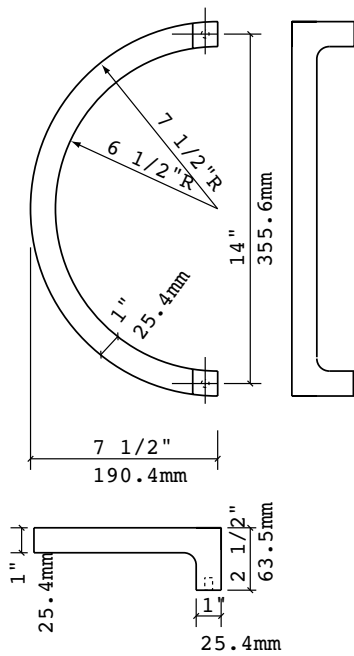
- Model no.: 130 A
- Available in all B.H.M.A. and custom finishes



## GSH 170 14" C-SHAPE PULL

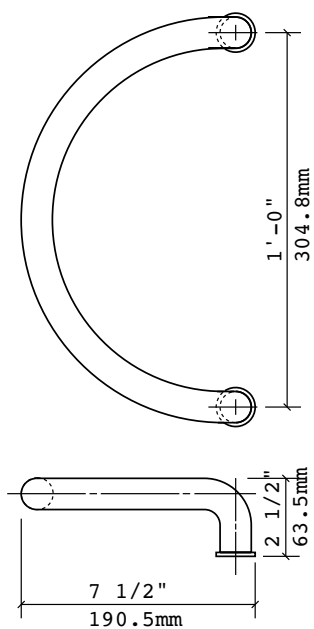


- Model no.: 170
- Available in all B.H.M.A. and custom finishes



**GSH 169 12" C-SHAPE PULL**

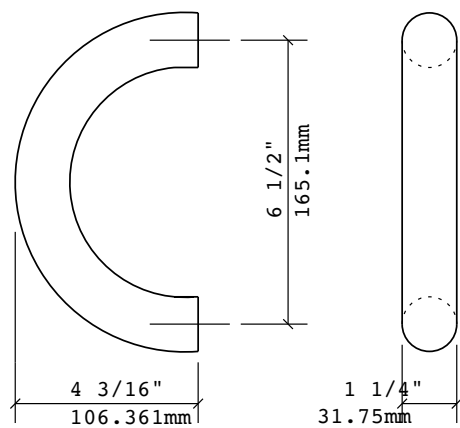
- Model no.: 169
- Available in all B.H.M.A. and custom finishes
- 12 inches



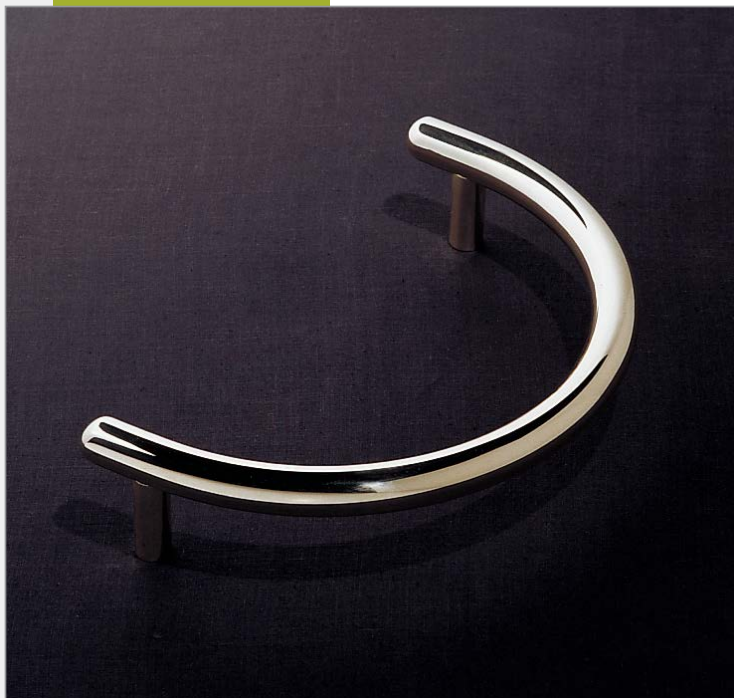
## GSH 173 C-SHAPE PULL



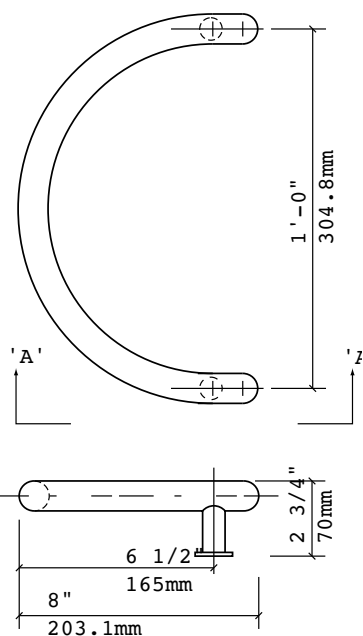
- Model no.: 173
- Available in all B.H.M.A. and custom finishes
- 6 1/2 inches



## GSH 169B C-SHAPE PULL



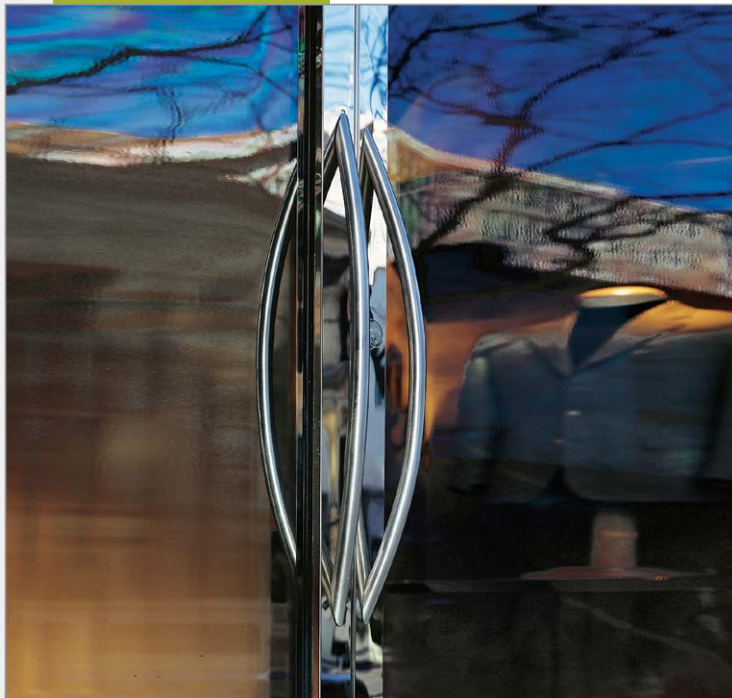
- Model no.: 169 B
- Available in all B.H.M.A. and custom finishes
- 12 inches
- Available diameters:  
1, 1 1/4 inches



SECTION 'A-A'

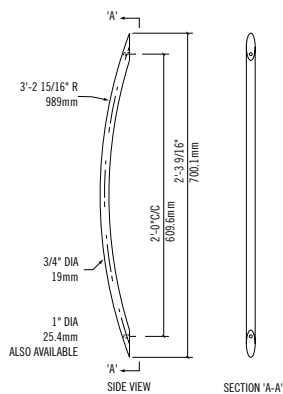


## GSH 4700/4800 SEGMENT SHAPE PULL

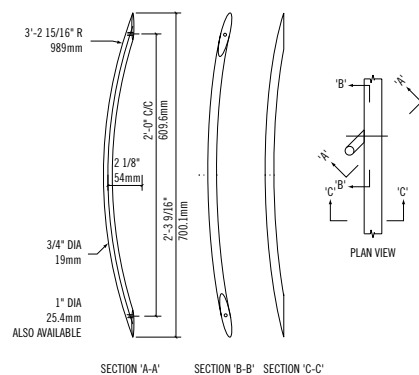


- Model no.: 4700, 4800
- Available in all B.H.M.A. and custom finishes
- Available sizes:  
9, 12, 18, 24 inches  
229, 305, 457, 610 millimetres

### 4700 Straight



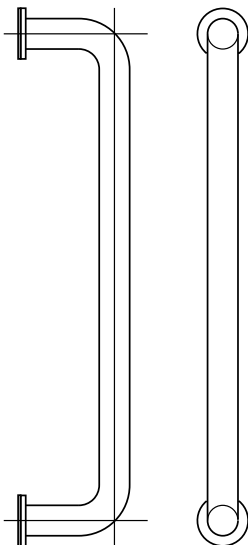
### 4800 Offset



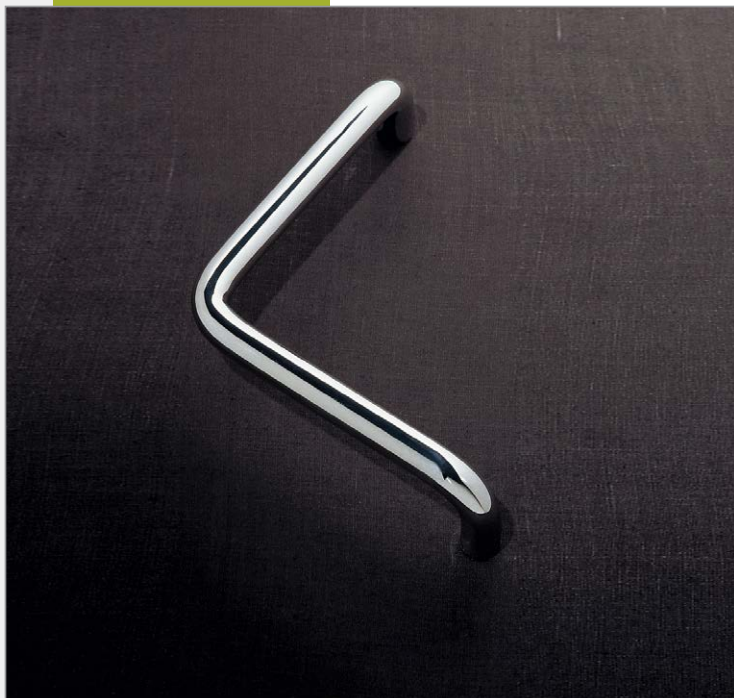
## GSH 4100 SERIES D-SHAPE PULLS



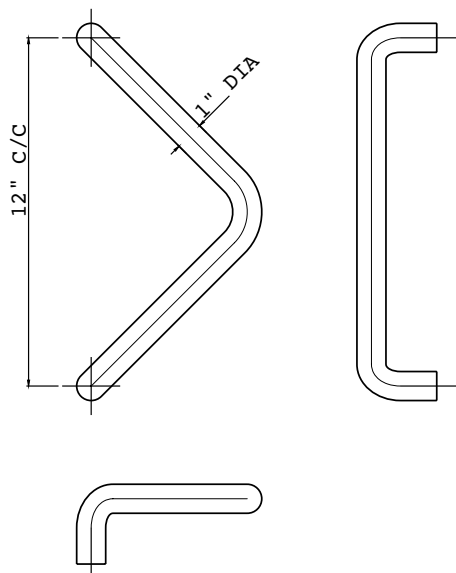
- Model no.: 4100
- Available in all B.H.M.A. and custom finishes
- Available sizes:  
12, 10, 9, 8, 7 inches  
305, 254, 230, 203, 178 millimetres



## GSH 176 OFFSET PULL

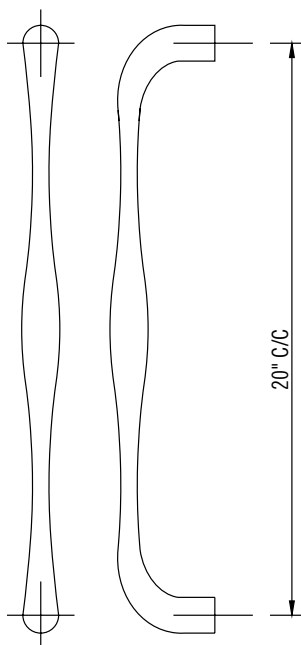


- Model no.: 176
- Available in all B.H.M.A. and custom finishes
- Available sizes:  
10, 12 inches centre to centre  
254, 305 millimetres centre to centre



**GSH 9820/9812 CAST PULL**

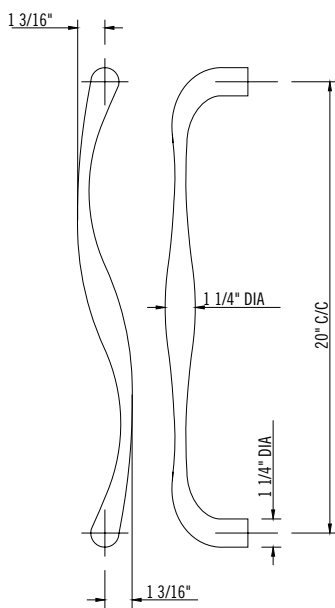
- Model no.:
- Showing 9820 also available 9812
- Available in all B.H.M.A. and custom finishes
- Available sizes:  
12, 20 inches  
304.8, 508 millimetres



## GSH 8819 20" "S" PULL



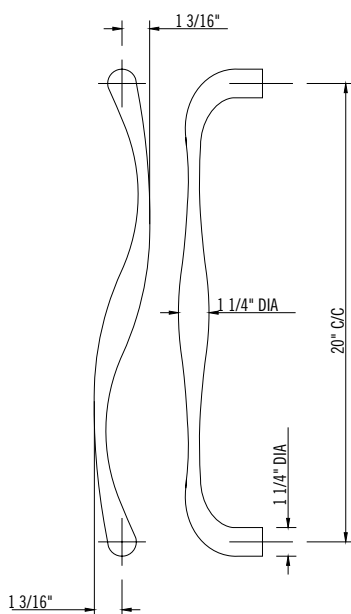
- Model no.: Showing 8819
- Available in all B.H.M.A. and custom finishes
- Available size:  
20 inches  
508 millimetres



## GSH 8818 20" "S" PULL



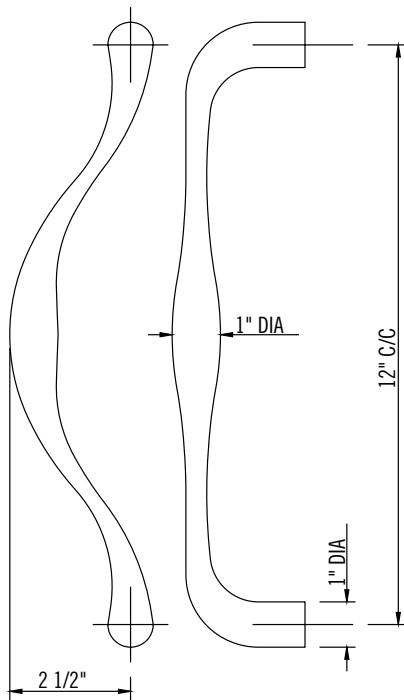
- Model no.: Showing 8818
- Available in all B.H.M.A. and custom finishes
- Available size:  
20 inches  
508 millimetres



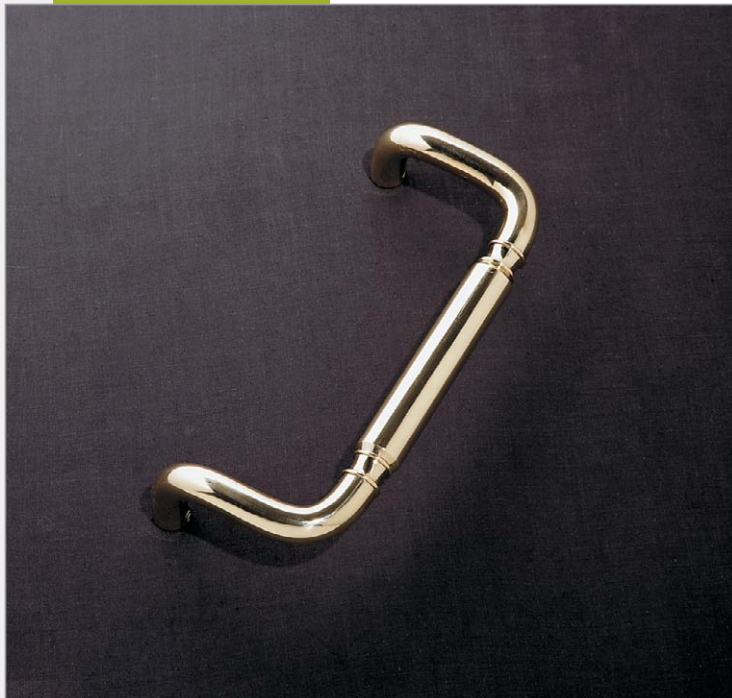
## GSH 9912/9920 OFFSET PULL



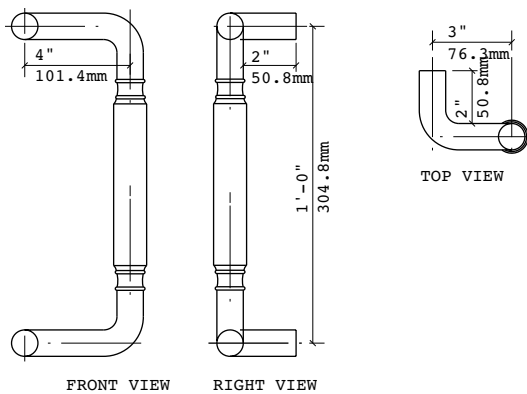
- Model no.:
- Showing 9912 also available 9920
- Available in all B.H.M.A. and custom finishes
- Available sizes:  
12, 20 inches  
304.8, 508 millimetres



## GSH 181 OFFSET PULL



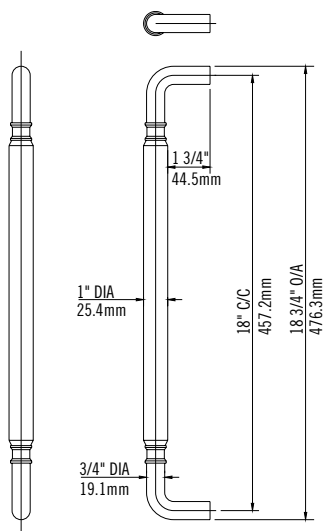
- Model no.: 181
- Available in all B.H.M.A. and custom finishes
- Available sizes:  
12, 16, 18 inches  
305, 406.4, 457.2 millimetres



## GSH 181BSTRAIGHT PULL



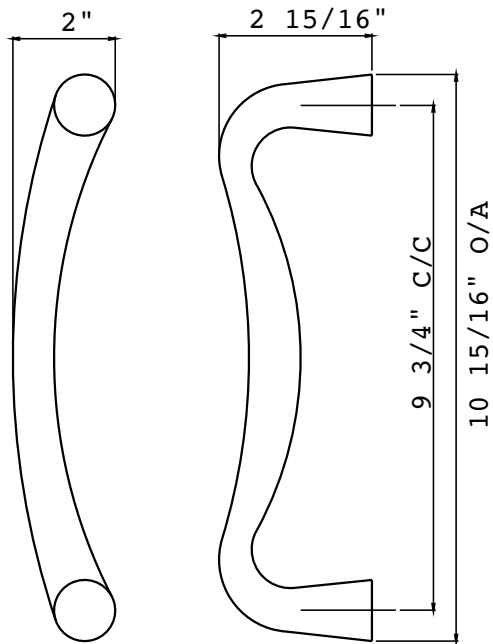
- Model no.: 181 B
- Available in all B.H.M.A. and custom finishes
- Available sizes:  
12, 16, 18 inches  
305, 406, 457 millimetres



## GSH 6601 OFSSET PULL

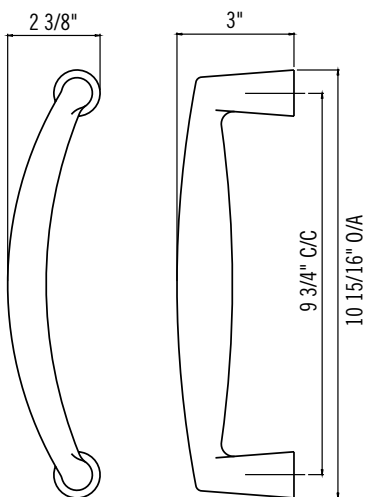


- Model no.: 6601
- Available finishes  
629, 630
- Available sizes:  
As shown



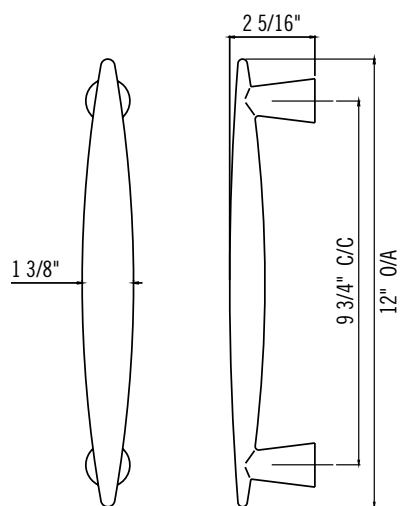
**GSH 6602 OFFSET PULL**

- Model no.: 6602
- Available finishes  
629, 630
- Available sizes:  
As shown



**GSH 6604 STRAIGHT PULL**

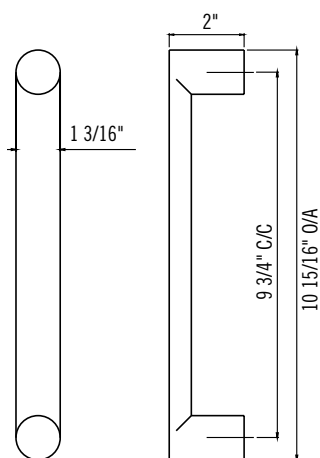
- Model no.: 6604
- Available finishes  
629, 630
- Available sizes:  
As shown



## GSH 6605 STRAIGHT PULL

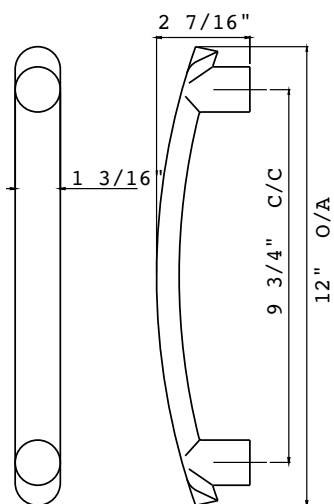
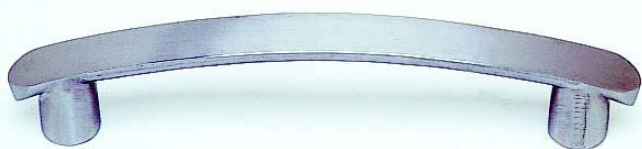


- Model no.: 6605
- Available finishes  
629, 630
- Available sizes:  
As shown



**GSH 6603 STRAIGHT PULL**

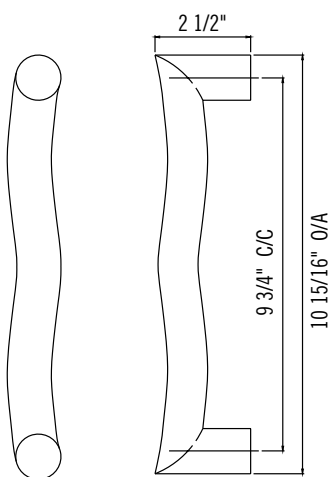
- Model no.: 6603
- Available finishes  
629, 630
- Available sizes:  
As shown



## GSH 6606 WAVE PULL

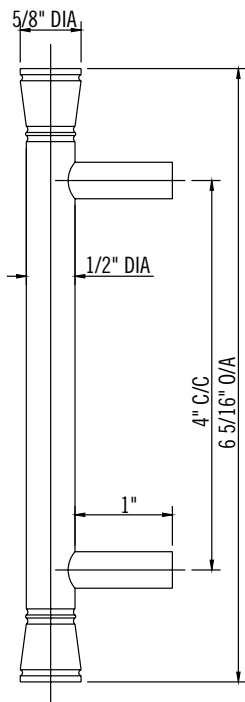


- Model no.: 6606
- Available finishes  
629, 630,
- Available sizes:  
As shown



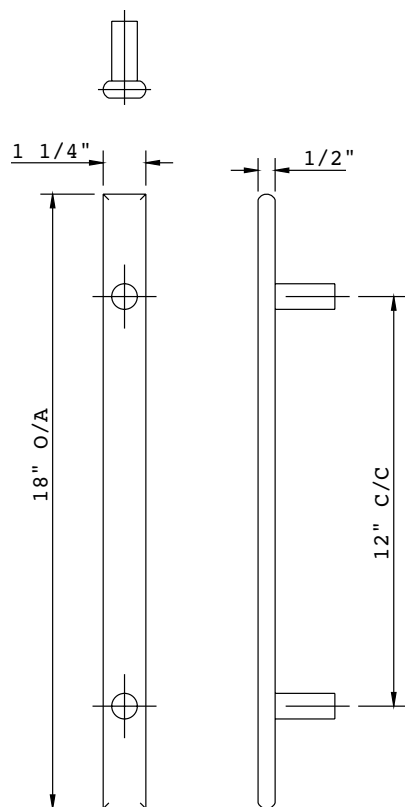
**GSH 976 CABINET PULL**

- Model no.: 976
- Available in all B.H.M.A. and custom finishes



**GSH 975 PULL**

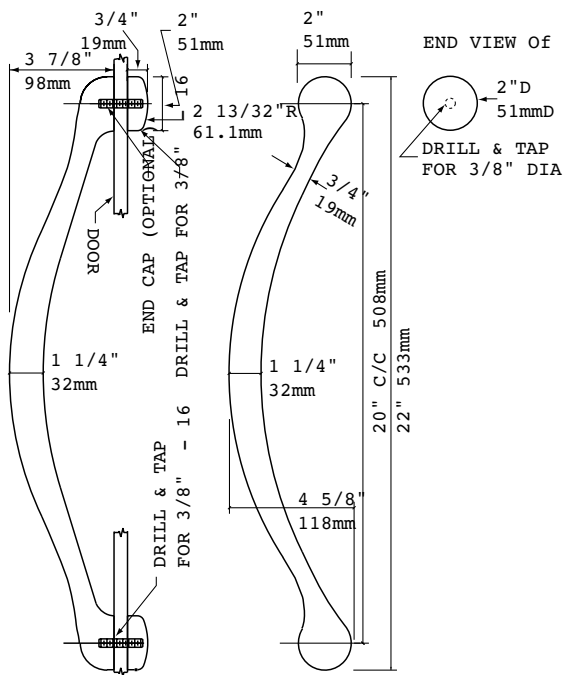
- Model no.: 975
- Available material aluminum and Brass



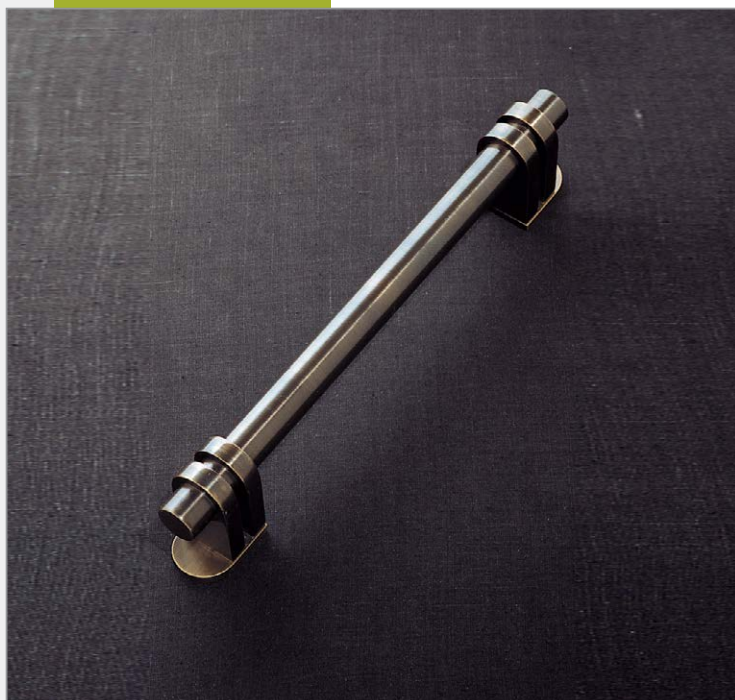
## GSH 6320 20" CURVED PULL



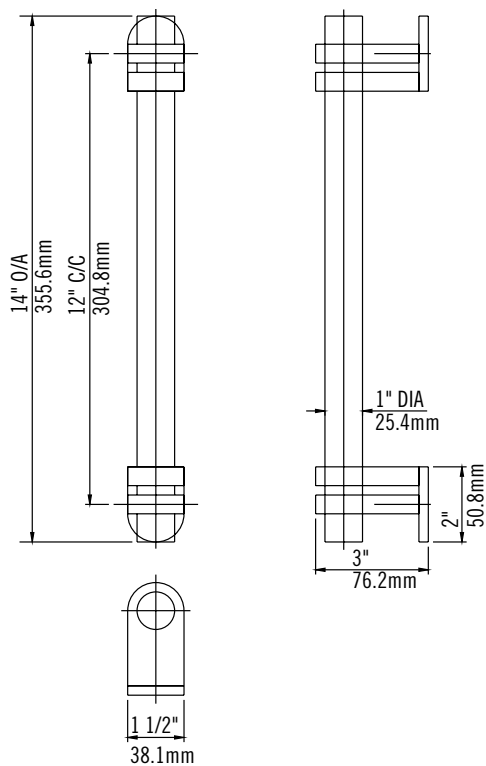
- Model no.: 6320
- Available in all B.H.M.A. and custom finishes
- Available size:  
20 inches  
508 millimetres



## GSH 7800 12" PULL



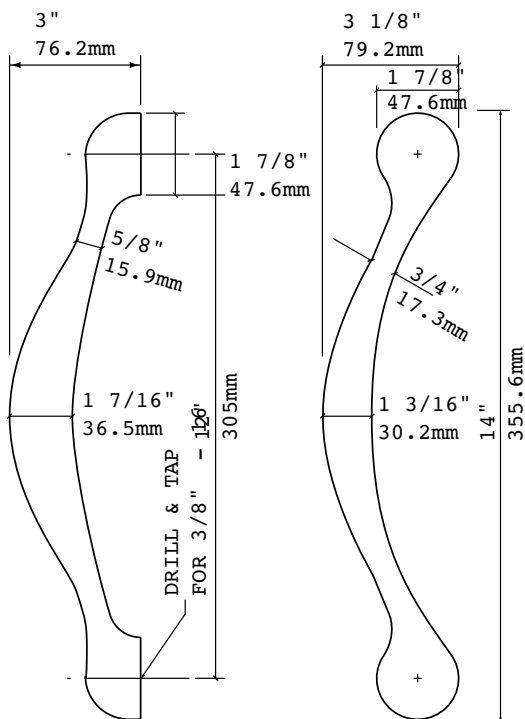
- Model no.: 7800
- Available in all B.H.M.A. and custom finishes



## GSH 6312 12" CURVED PULL



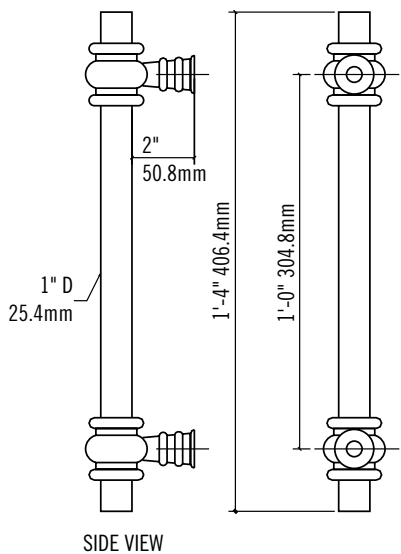
- Model no.: 6312
- Available in all B.H.M.A. and custom finishes
- Available size:  
12 inches  
305 millimetres



## GSH 371 STRAIGHT PULL

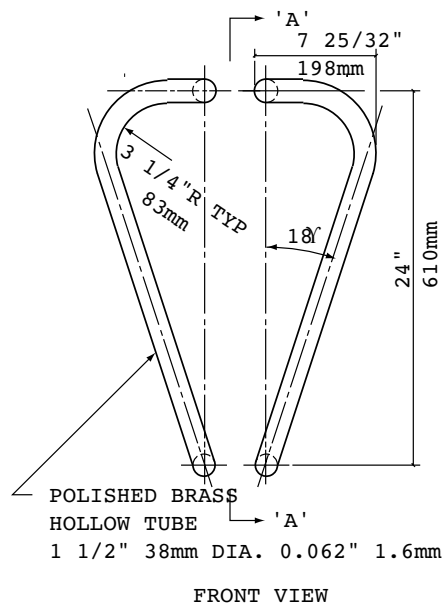


- Model no. 371
- Available in all B.H.M.A. and custom finishes
- Available size:  
12, 18, 24 inches  
305, 457, 610 millimetres



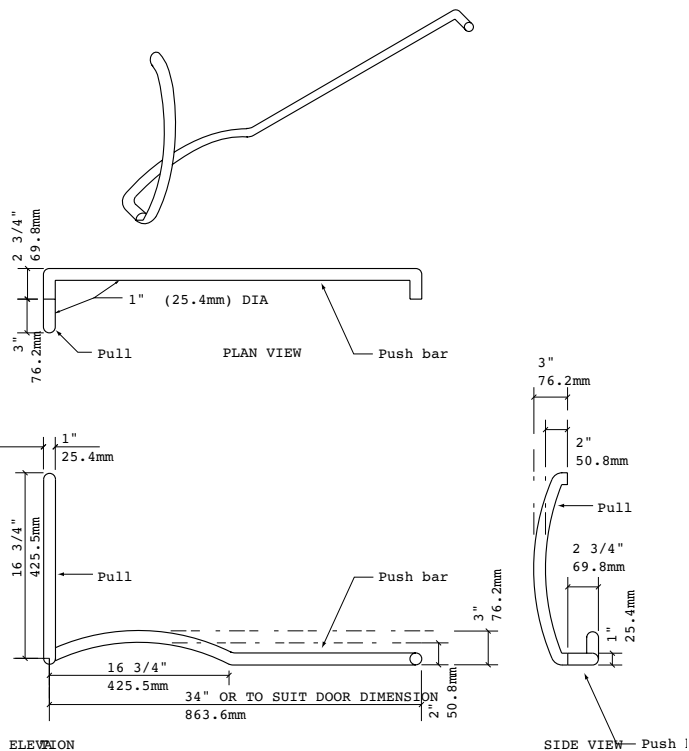
## GSH 10871 OFFSET PULL

- Model no.: 10871
- Available in all B.H.M.A. and custom finishes
- Available size:  
As shown only



## GSH 4416 /4500 DOOR HANDLE SET

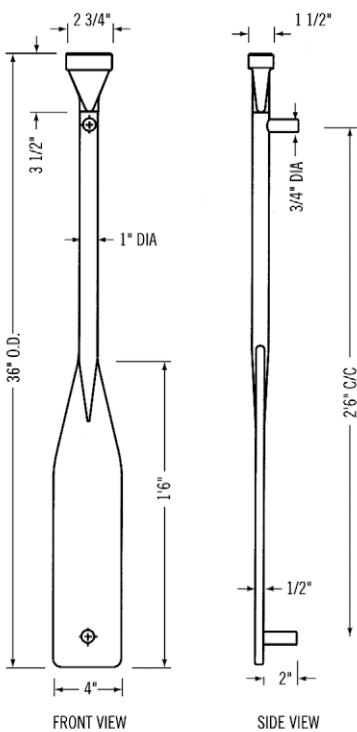
- Model no.:
- Pull 4416, Push bar 4500
- Available in all B.H.M.A. and custom finishes
- Size available to match door widths



## GSH 7629 PADDLE SHAPED PULL



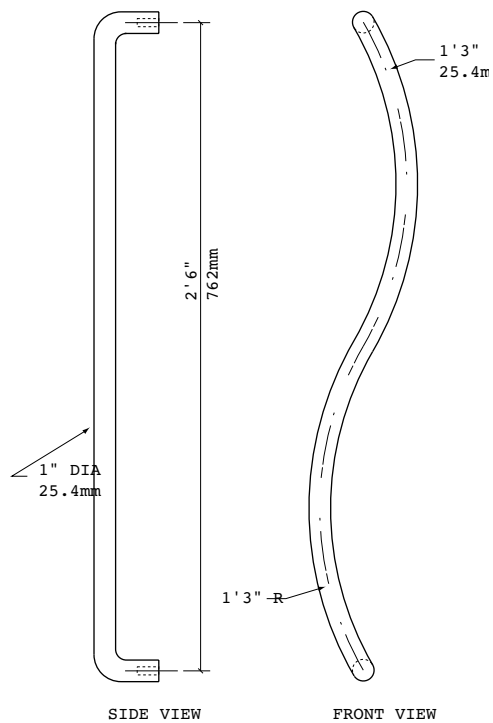
- Model no.: 7629
- Available in all B.H.M.A. and custom finishes
- Available size:  
As shown



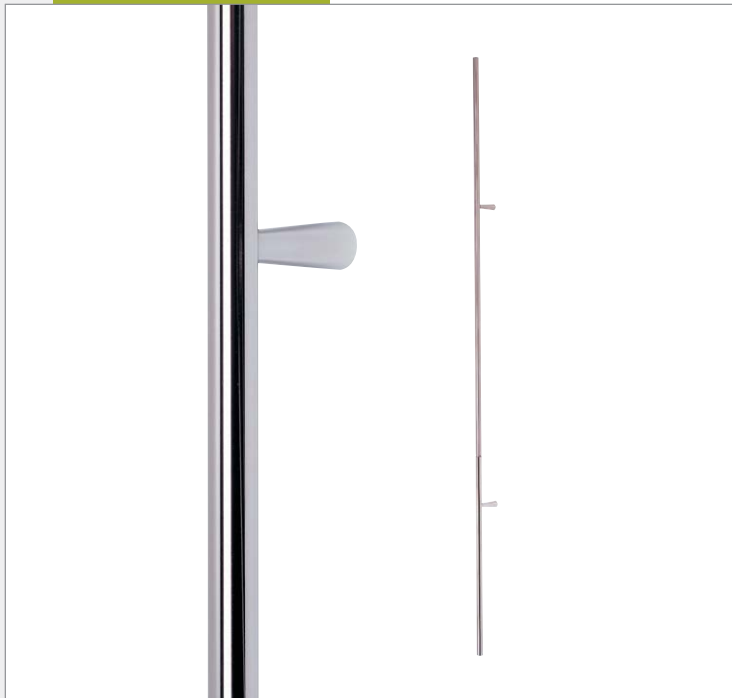
## GSH 178 S-SHAPED PULL



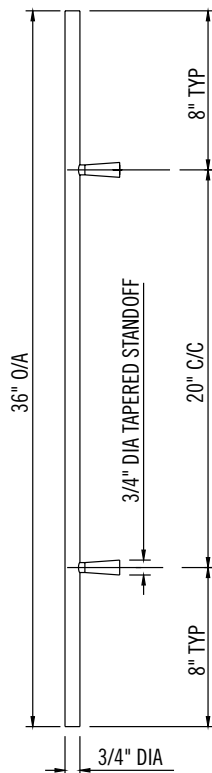
- Model no. 178
- Available in all B.H.M.A. and custom finishes
- Available size:  
30 inches  
762 millimetres



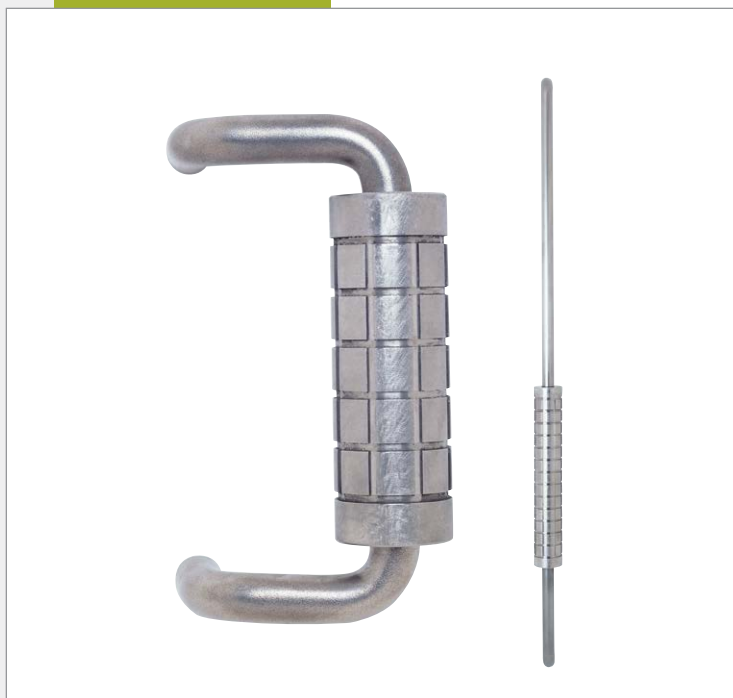
## GSH 4700T VERTICAL PULL



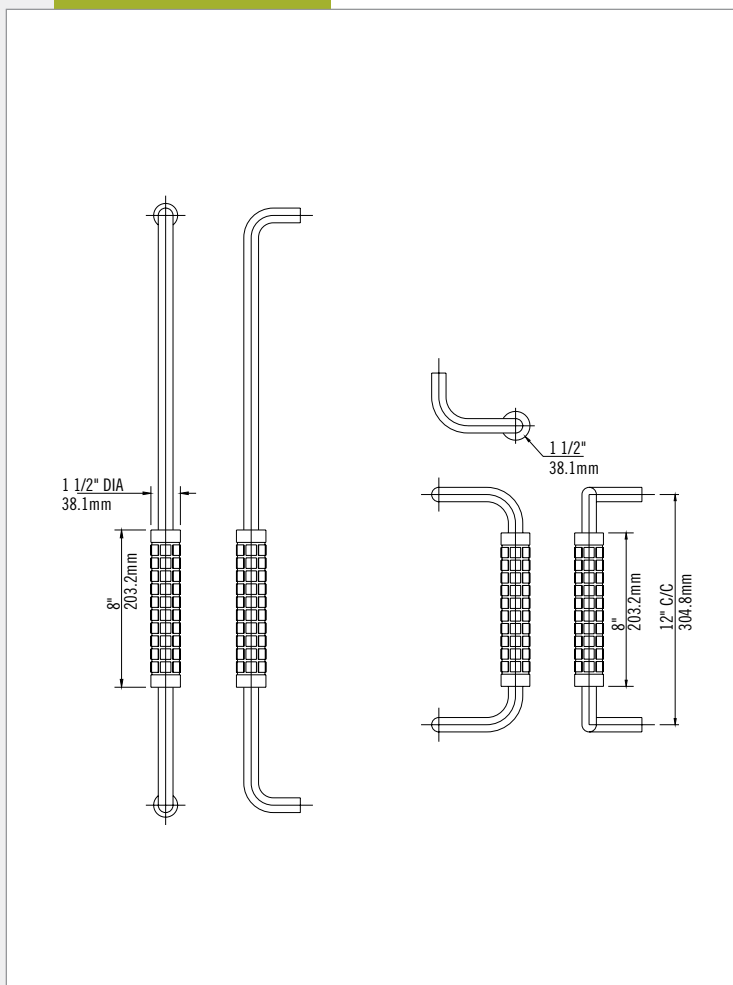
- Model no.: 4700 T
- Available in all B.H.M.A. and custom finishes
- Available size:  
20 (36 O/A), 56 (72 O/A) inches  
508 (914.4 O/A), 914.4 (1828.8 O/A) millimetres



## GSH 11600 PULL SET



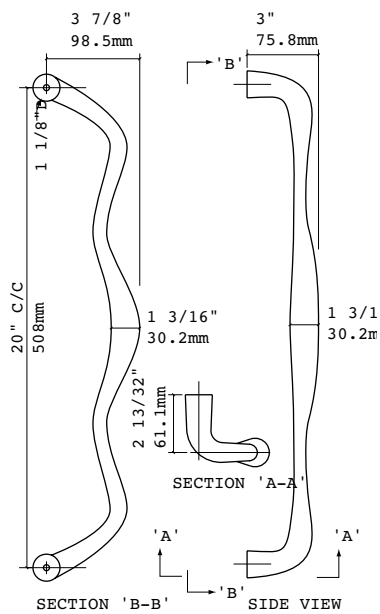
- Model no.: 11600
- Available in all B.H.M.A. and custom finishes



## GSH 7320 DOUBLE CURVED PULL



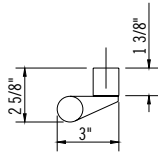
- Model no.: 7320
- Available in all B.H.M.A. and custom finishes
- Available size:  
20 inches  
508 millimetres



## GSH 1189 CUSTOM DOOR PULL



- Model no.: 1189
- Available in all B.H.M.A. and custom finishes
- Available in custom sizes



NON DIRECTIONAL  
FINISH TYP (6)

US32 FINISH  
TYP (3)

US32 FINISH  
TYP (2)

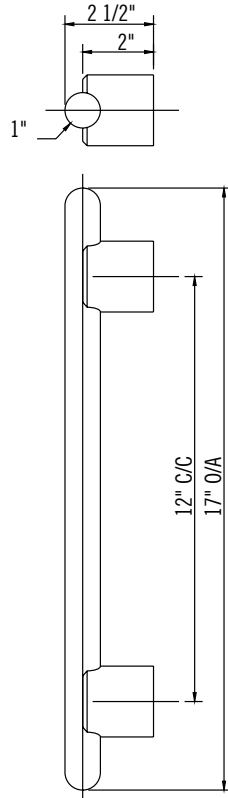
19 13/16" C/C  
29 1/2" O/A



## GSH C848 PULL



- Model no.: C848
- Handle available in all B.H.M.A. and custom finishes
- Available in custom sizes



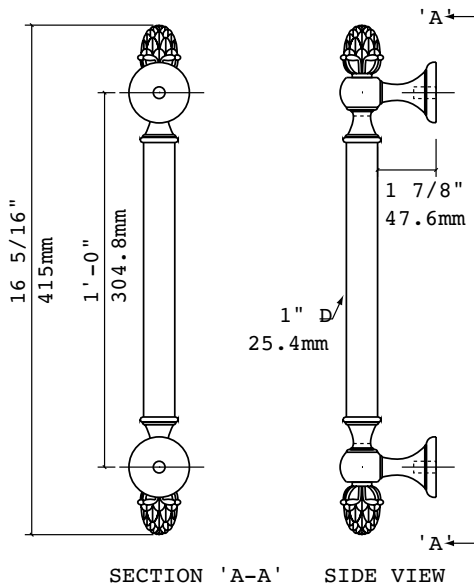
2" BLACK ANODIZED  
ALUMINUM (STANDOFFS)



## GSH 373 PULL (ACORN ENDS)



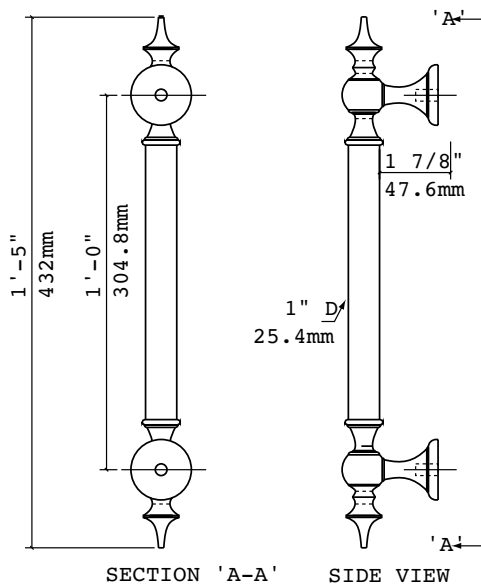
- Model no.: 373
- Available in all B.H.M.A. and custom finishes
- Available in size:  
12, 18, 24 inches  
305, 457, 610 millimetres



## GSH 372 PULL (POINTED ENDS)



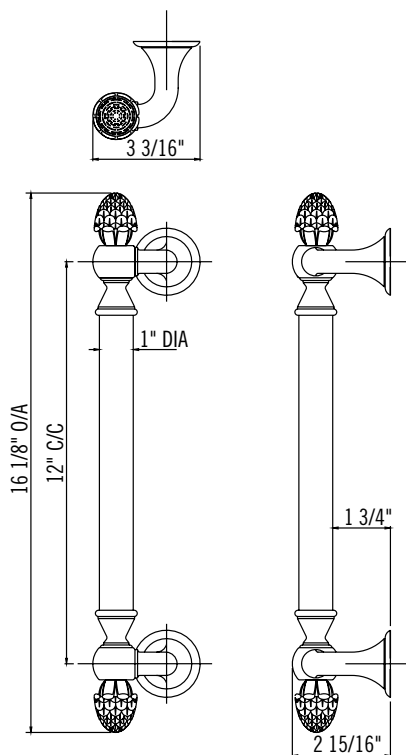
- Model no.: 372
- Available in all B.H.M.A. and custom finishes
- Available in size:  
12, 18, 24 inches  
305, 457, 610 millimetres



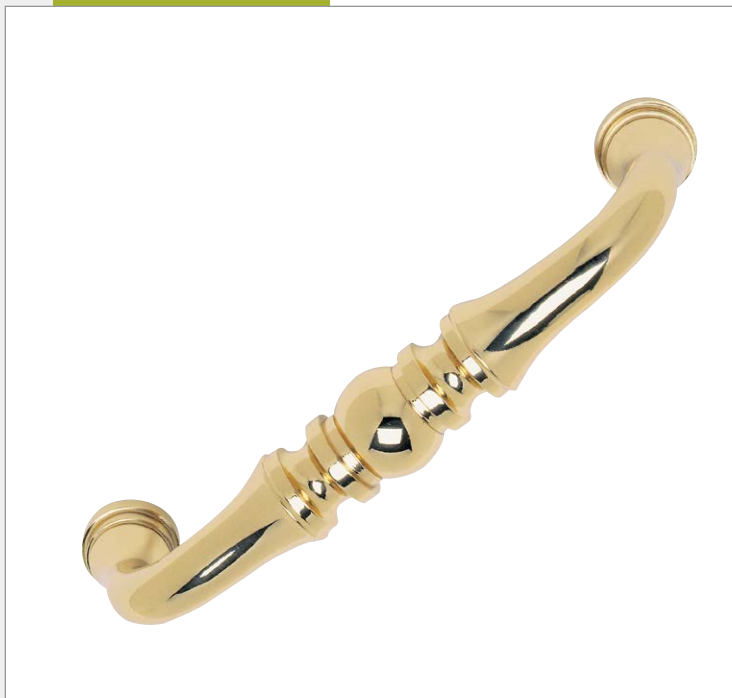
## GSH 373 O.S. ACORN ENDS OFFSET PULL



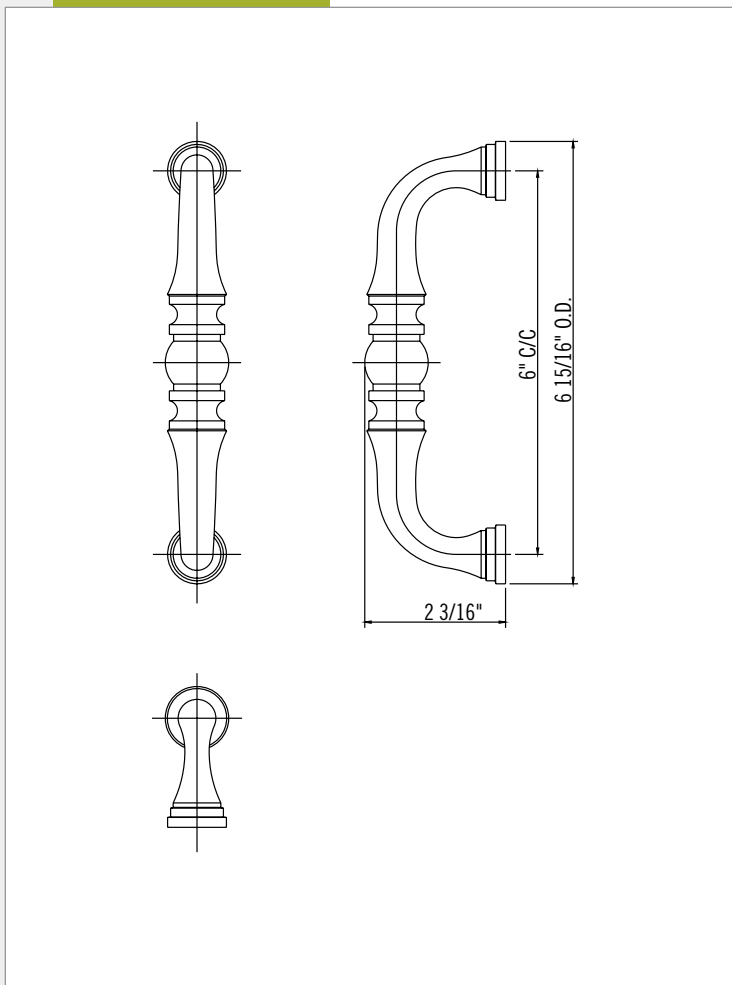
- Model no.: 373 O.S.
- Available in all B.H.M.A. and custom finishes
- Available in size: As shown



## GSH 179 PULL



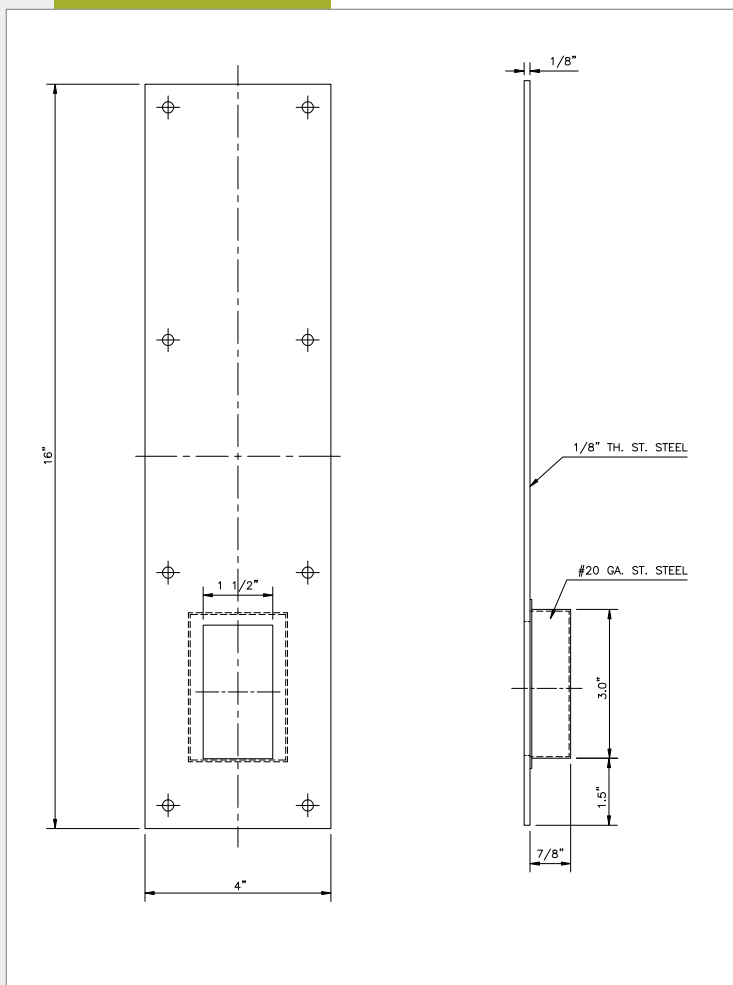
- Model no.: 179
- Available in all B.H.M.A. and custom finishes
- Available in size:  
12, 18, 24 inches  
305, 457, 610 millimetres



## GSH 2632 4X16 HOSPITAL PUSH/ PULL



- Stainless Steel
- C32D





# Section C

**GRAB BARS**

**Gallery™**  
specialty hardware

# GRAB BAR GENERAL INFORMATION

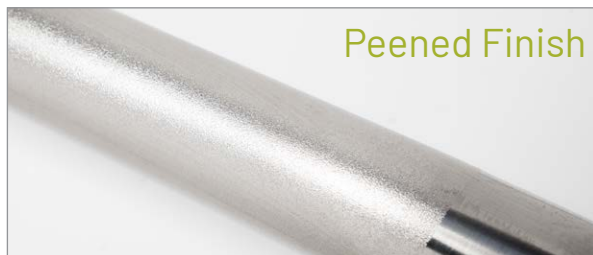
## Stainless Steel Grab Bars

Bars fabricated in 1", 1¼", and 1½" O.D. Stainless Steel Tubing with minimum Wall thickness of .049 inches. Flanges are constructed of 11 gauge Stainless Steel. All Bars are heliarc welded for maximum strength.

## Screw Fastenings

All exposed fastenings are supplied Standard in stainless steel.

## Gallery Grab Bar Gripping Surfaces



Peened Finish



Standard Finish

## Product Codes

### Exposed Mounting

Satin Stainless Steel (C32D)

1¼" O.D. Series 50

1½" O.D. Series 60

### Concealed Mounting

Satin Stainless Steel (C32D)

1¼" O.D. Series 51

1½" O.D. Series 61

Standard FINISH SUFFIX 0

PEENED SUFFIX P

## Anchoring Devices

Standard Mounting SUFFIX 0

Non-Standard Mountings

Type A - Metal Stud Walls SUFFIX 1

Type B - Block Walls SUFFIX 2

Type C - Toilet Compartments SUFFIX 3

Type D - Toilet Compartments SUFFIX 4

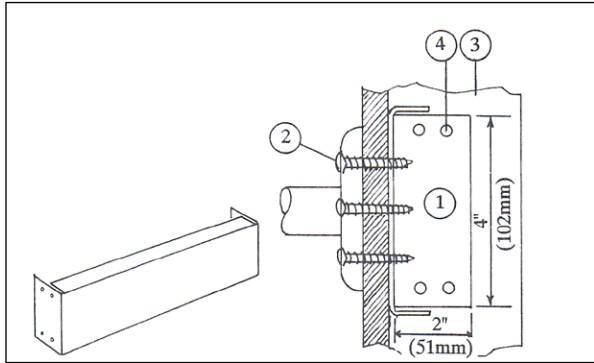
## How to Order

### Example A

Configuration	Straight Rail (48")(1219 mm)	C07
Series	Stainless Steel Concealed	51
Grip	Standard	P
Mounting	Standard	0
Examples	C07-51-P	

Peening and Anchoring Devices are all optional extras. Specific only if required.

# ANCHORING DEVICES (NON-STANDARD)



## Metal Stud Walls

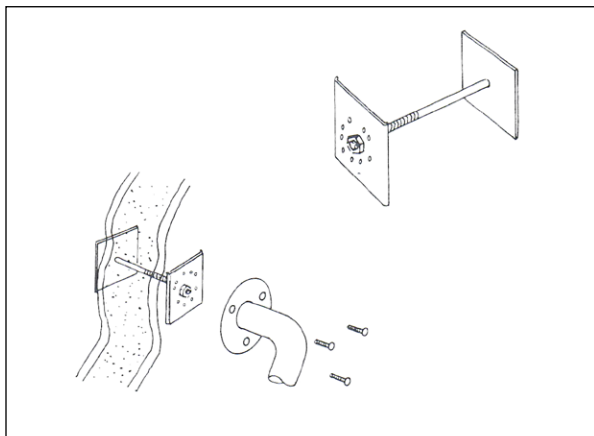
( Type A Mounting)

Galvanized steel (16 gauge) Formed channel. 16" (406mm) centres Standard length. Other lengths available on request.

#10 sheet metal screws.

Metal Stud.

3/16" holes drilled to accommodate Standard #14 x 2" oval head Phillips head Ferloc screws suitable for maximum 3/4" (19mm) Wall thickness.

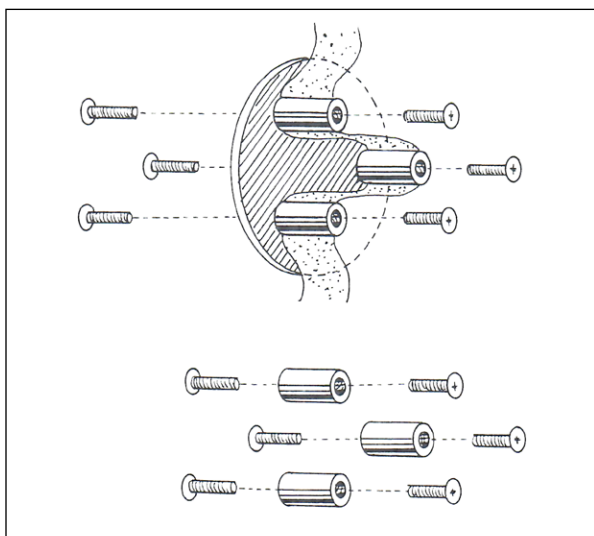


## Block Walls

( Type B Mounting)

3 x 3 x 1/8" (76 x 76 x 3mm) steel zinc Plated anchor drilled to accommodate 1/4" x 20" x 1/2" machine screws.

Both Plates connected by 3/8" carriage bolt for 8" (203mm) thick walls



## Toilet Partition Anchors

( Type C Mounting)

For installation of Single Grab Bar through Toilet compartment panel.

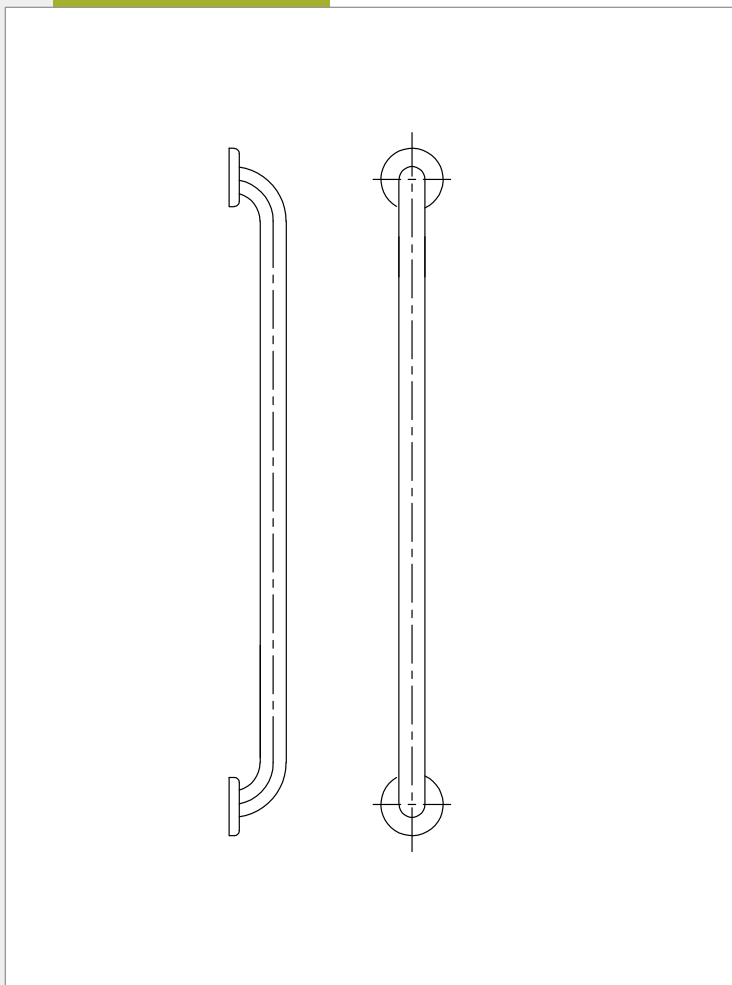
( Type D Mounting)

For Back to Back installation of two Grab Bars through Toilet compartment panel.

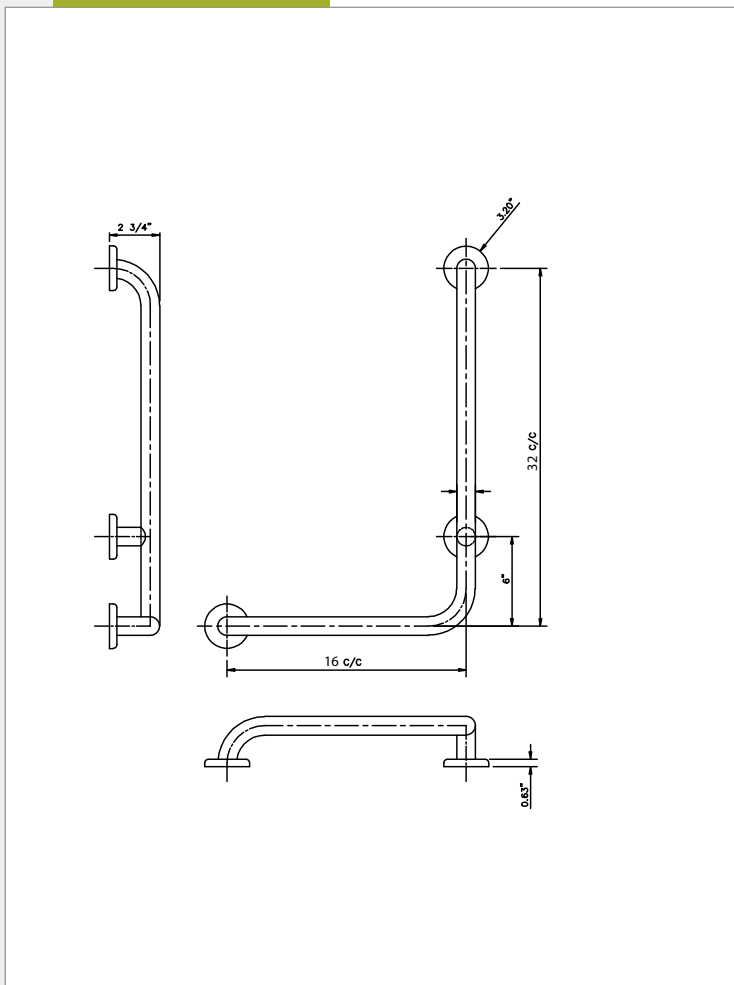
## C02-C07 STRAIGHT GRAB BAR 12"-48"



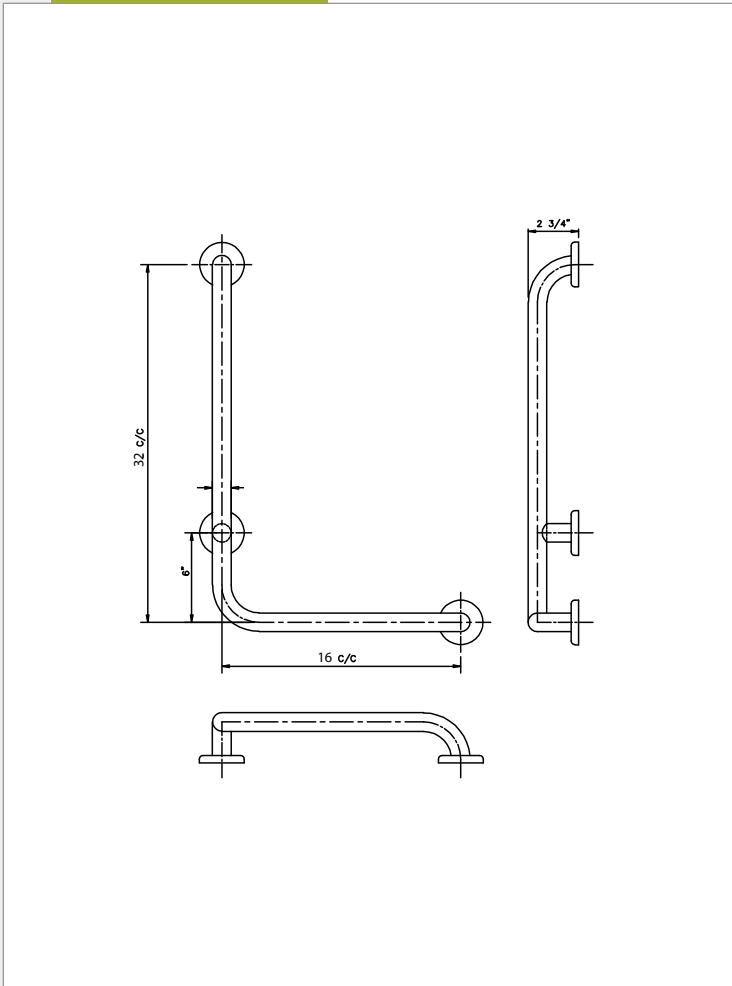
- | • GSH  | Description       | C/C |
|--------|-------------------|-----|
| • C02  | Straight Grab Bar | 12" |
| • C02B | Straight Grab Bar | 16" |
| • C03  | Straight Grab Bar | 18" |
| • C04  | Straight Grab Bar | 24" |
| • C05  | Straight Grab Bar | 30" |
| • C05B | Straight Grab Bar | 32" |
| • C06  | Straight Grab Bar | 36" |
| • C07  | Straight Grab Bar | 48" |



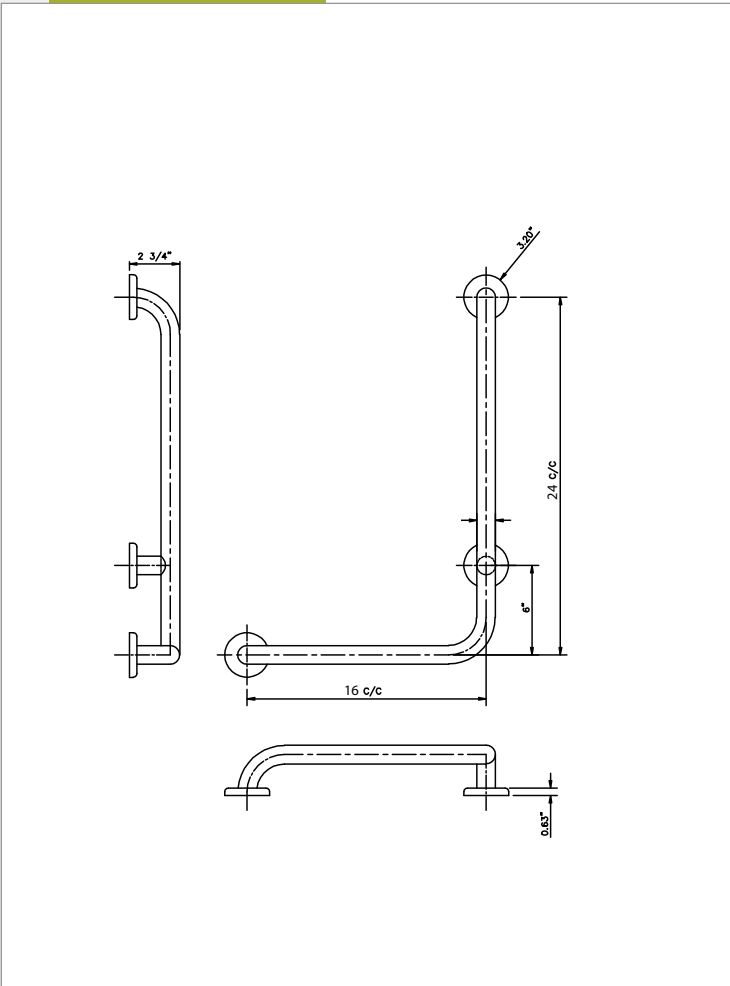
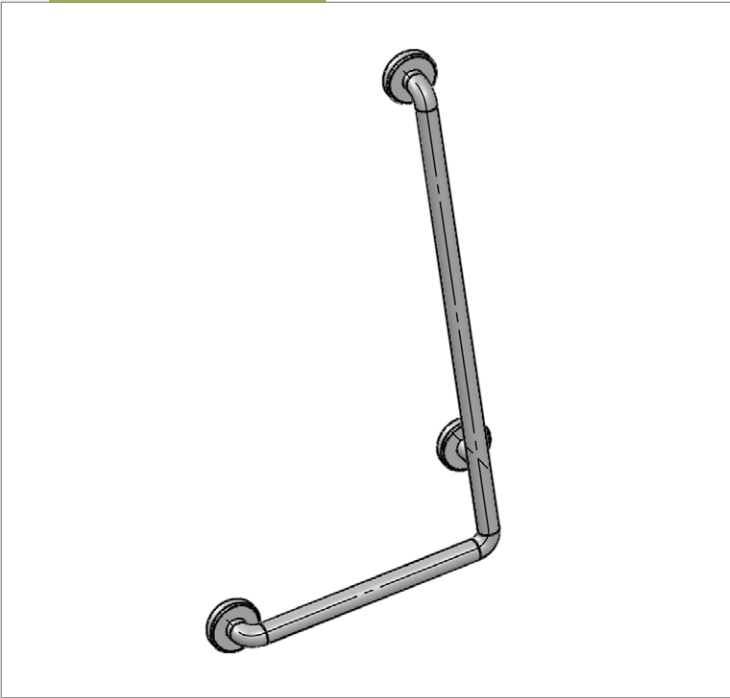
# C08 90 DEGREE "L" SHAPE GRAB BAR 16" X 32"



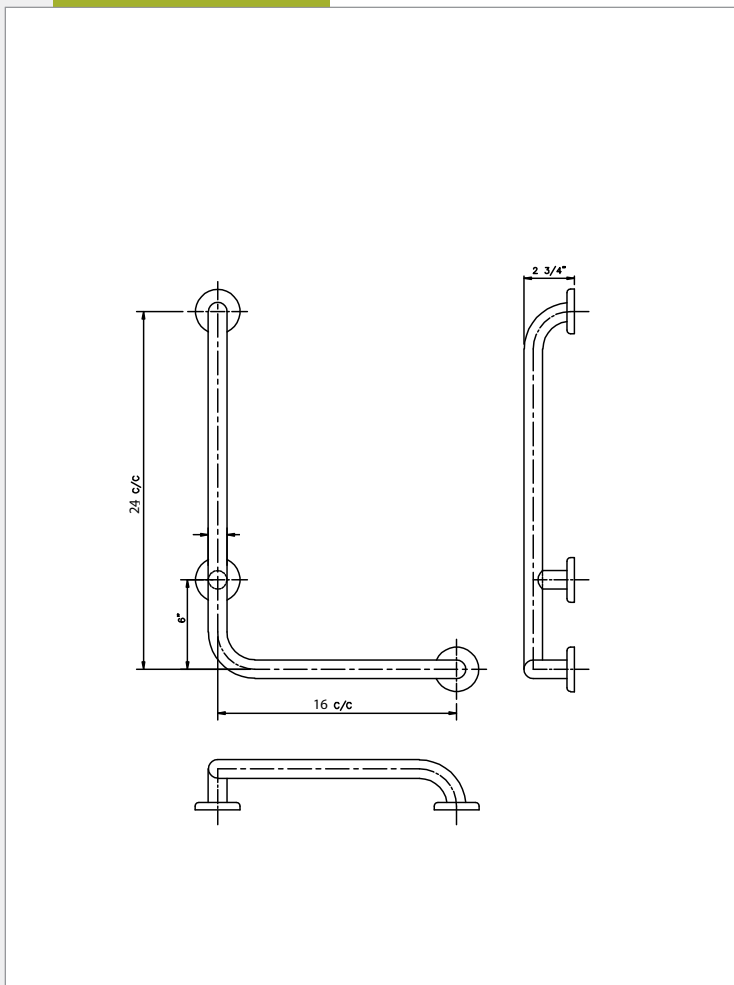
# C09 90 DEGREE "L" SHAPE GRAB BAR 16" X 32"



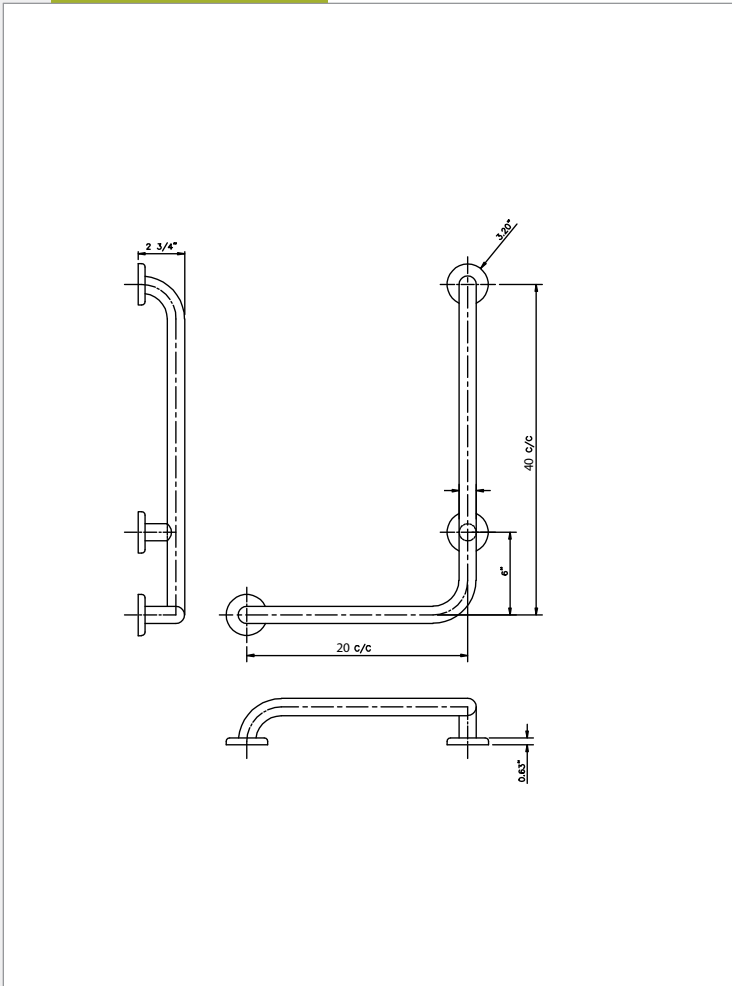
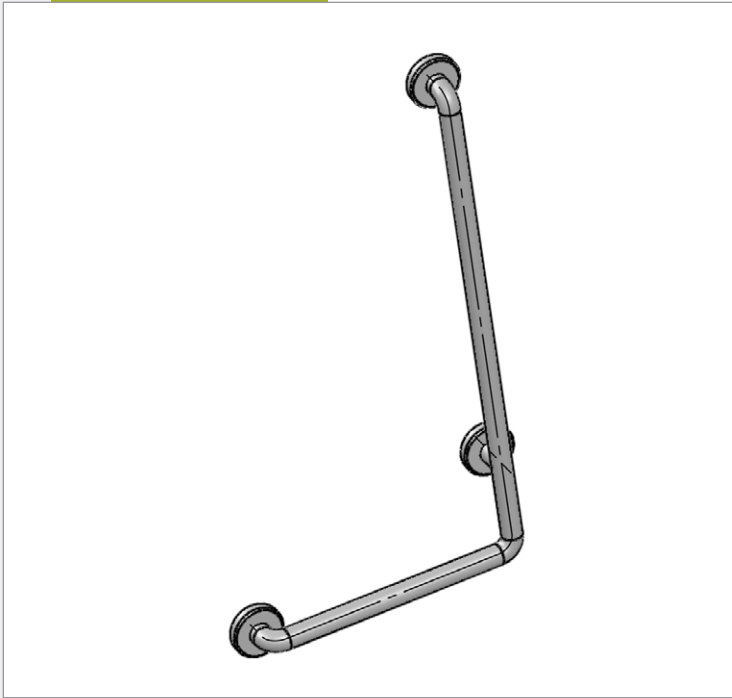
# C10 90 DEGREE "L" SHAPE GRAB BAR 16" X 24"



# C11 90 DEGREE "L" SHAPE GRAB BAR 16" X 24"



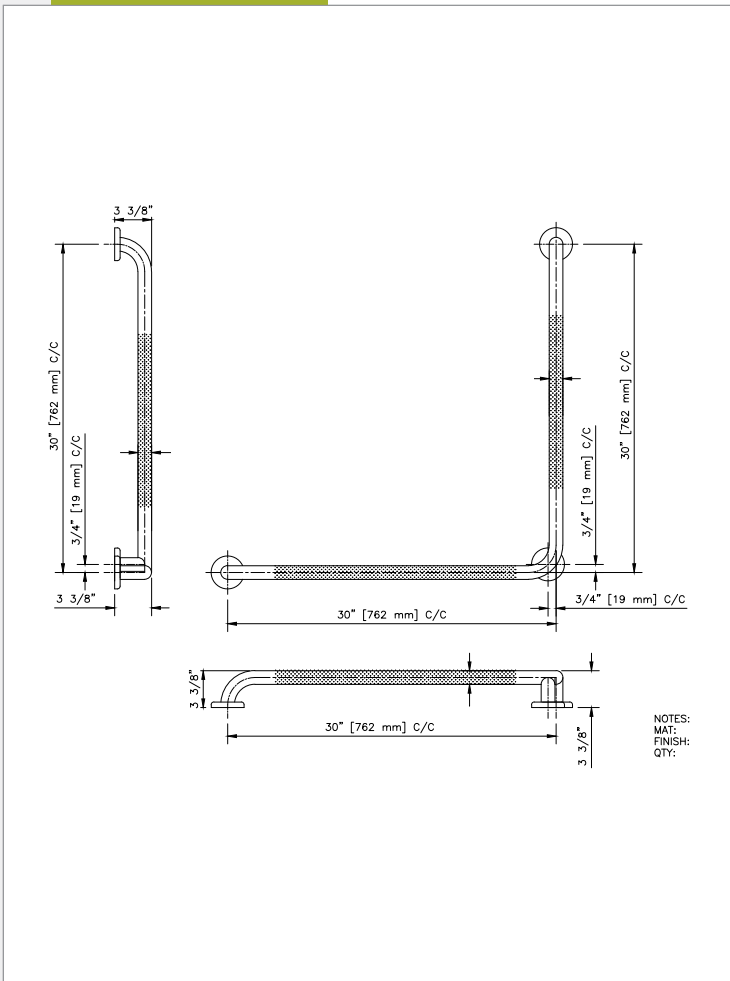
# C12 90 DEGREE "L" SHAPE GRAB BAR 20" X 40"



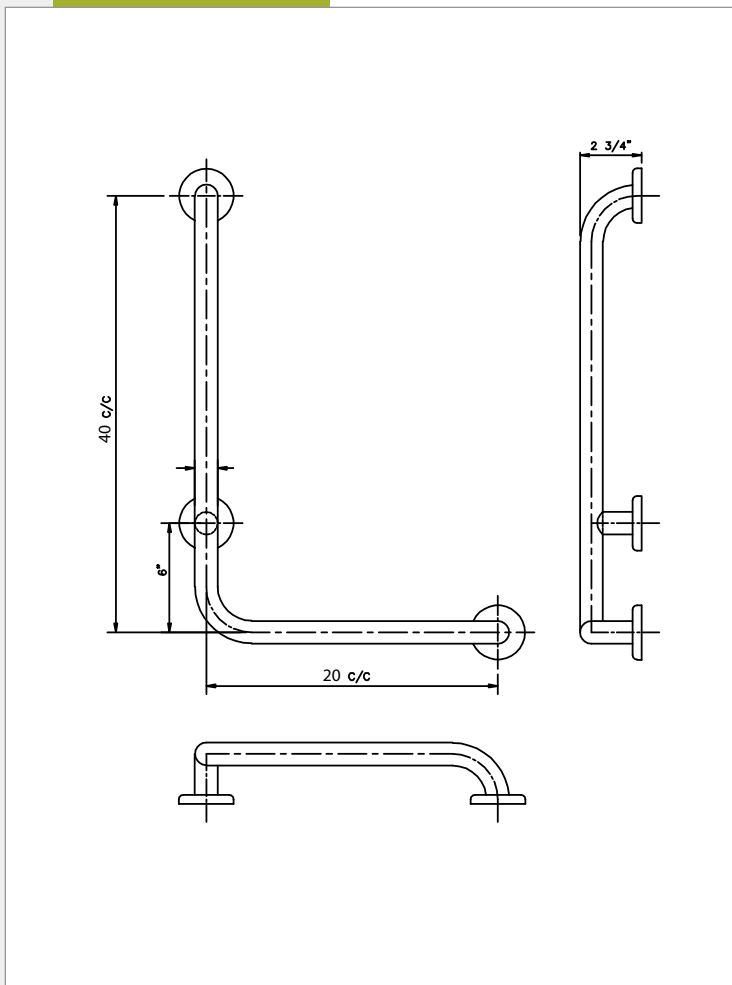
## C12C 90 DEGREE "L" SHAPE GRAB BAR C/W POST



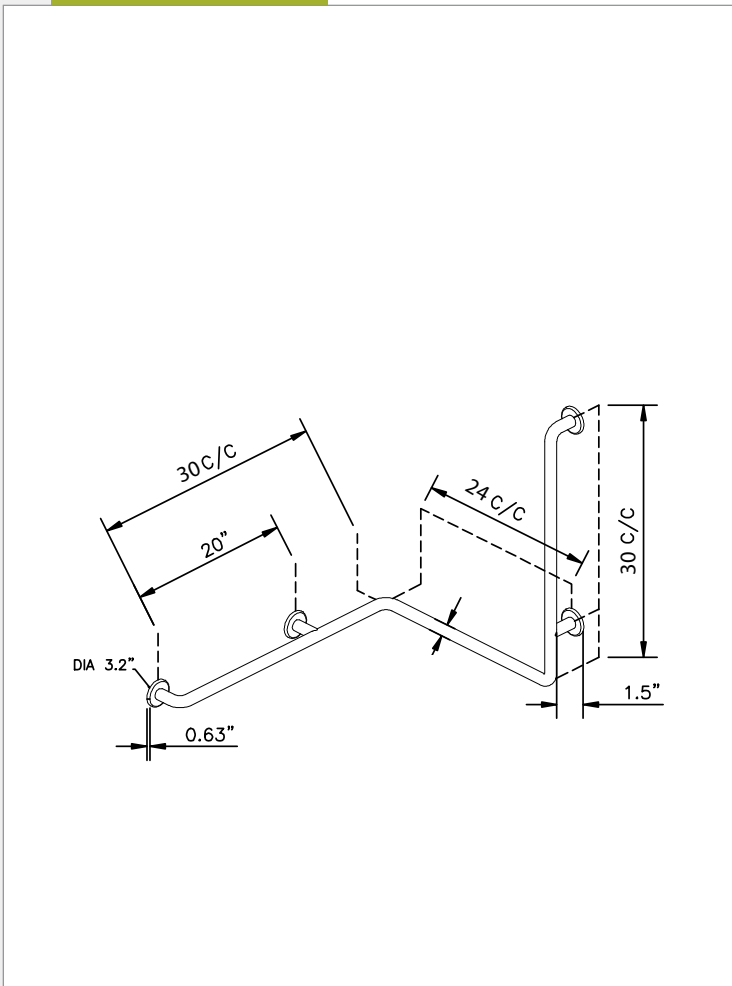
- Note: Non handed



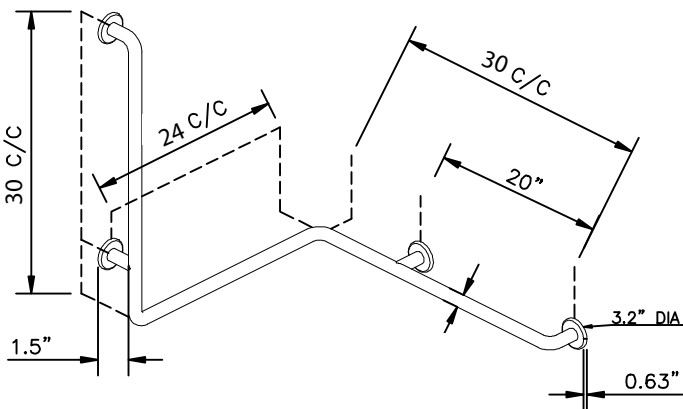
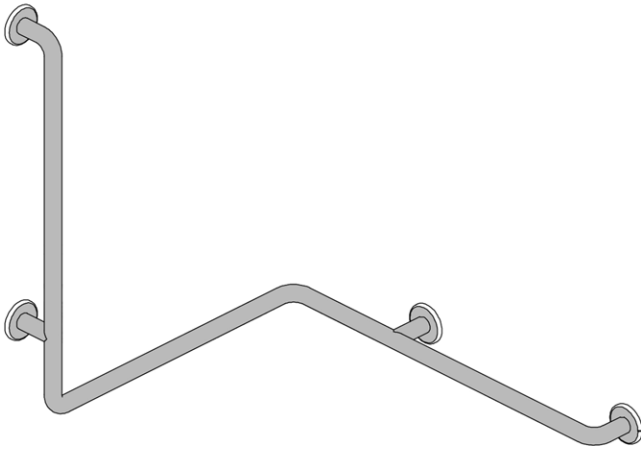
# C13 90 DEGREE "L" SHAPE GRAB BAR



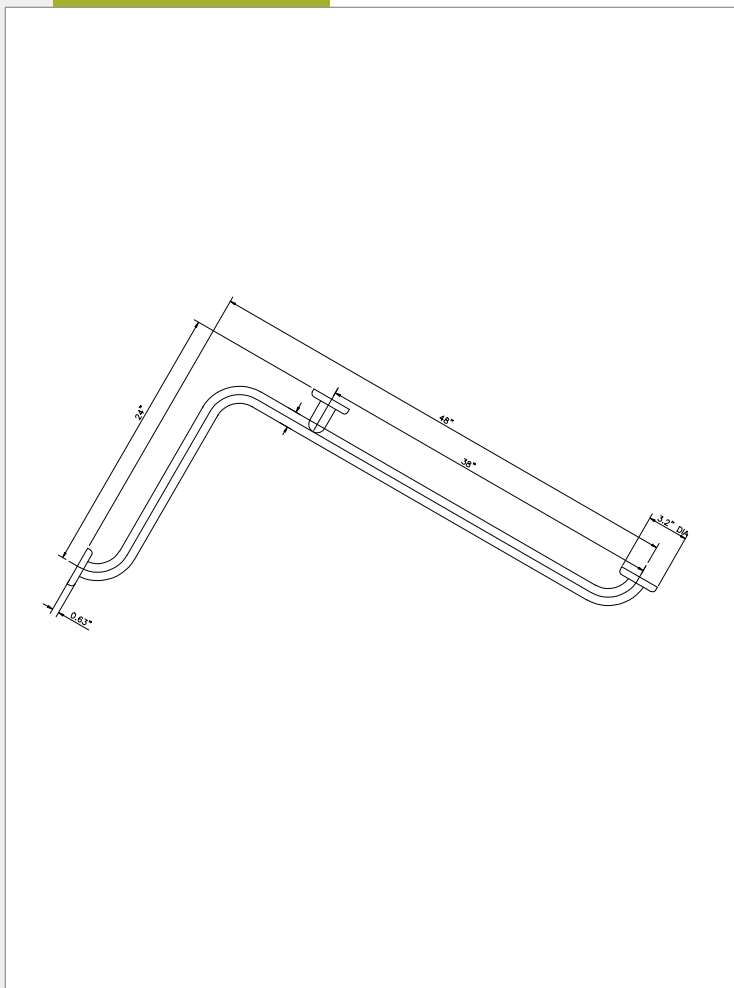
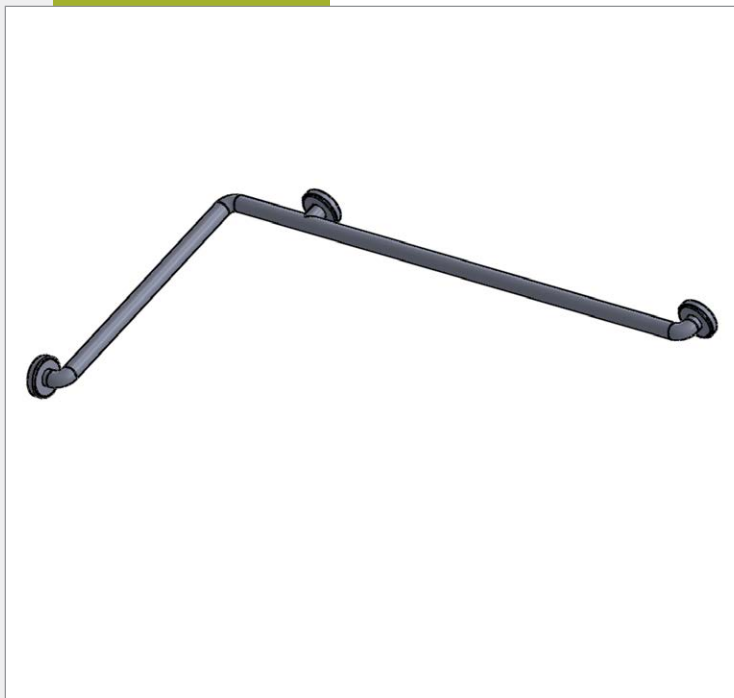
# C14 SHOWER RAIL 30" X 24" X 30"



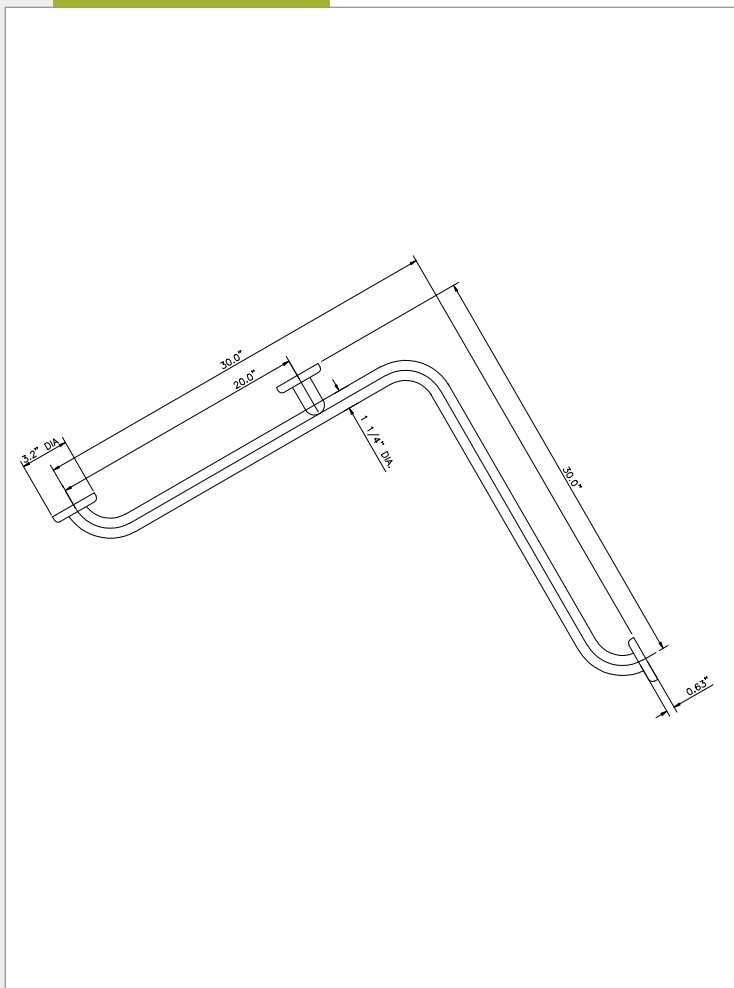
## C15 SHOWER RAIL 30" X 24" X 30"



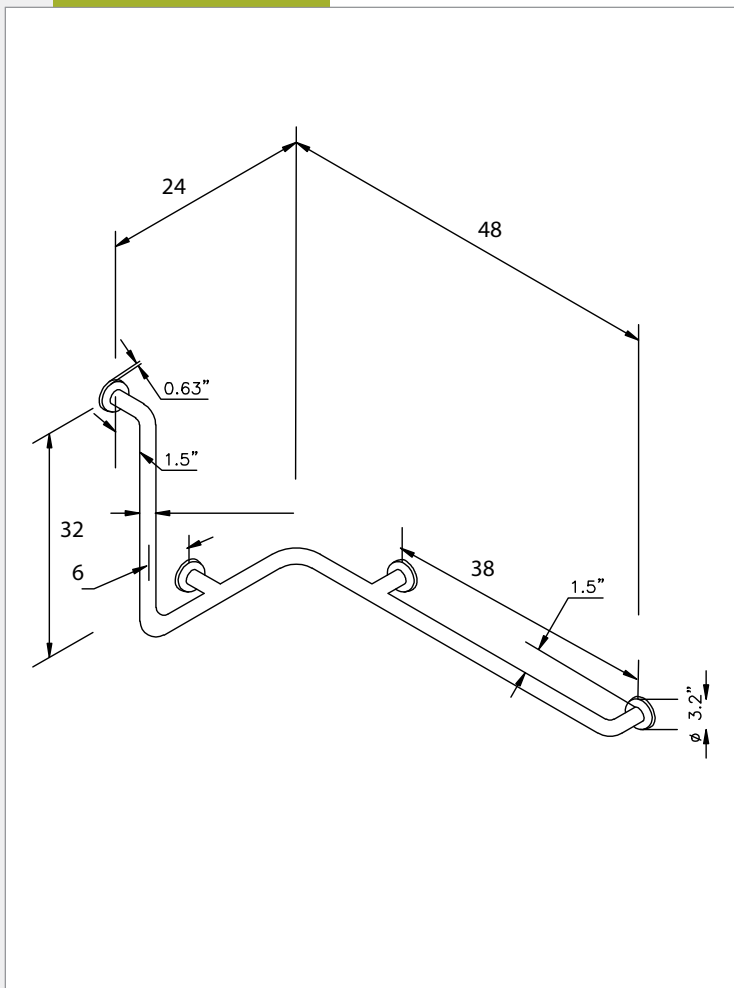
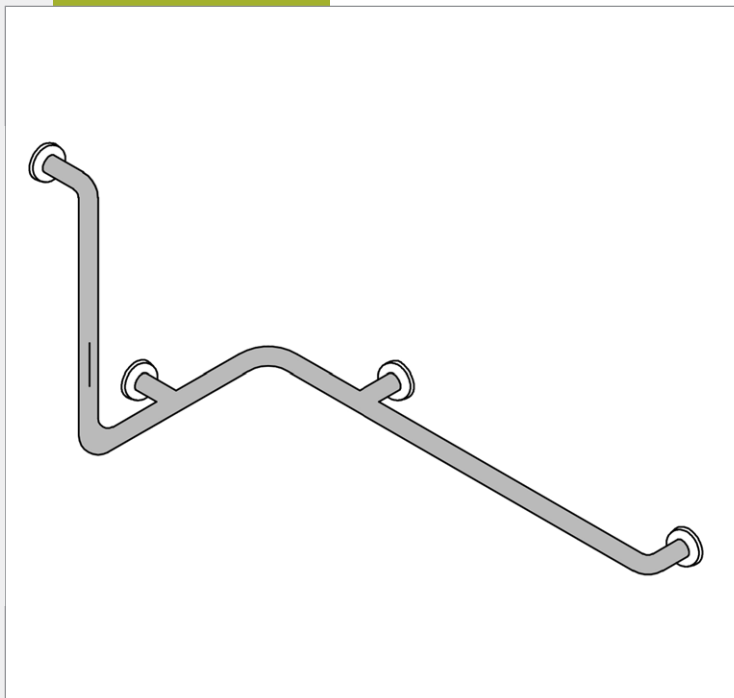
# C16 TUB RAIL 24" X 48"



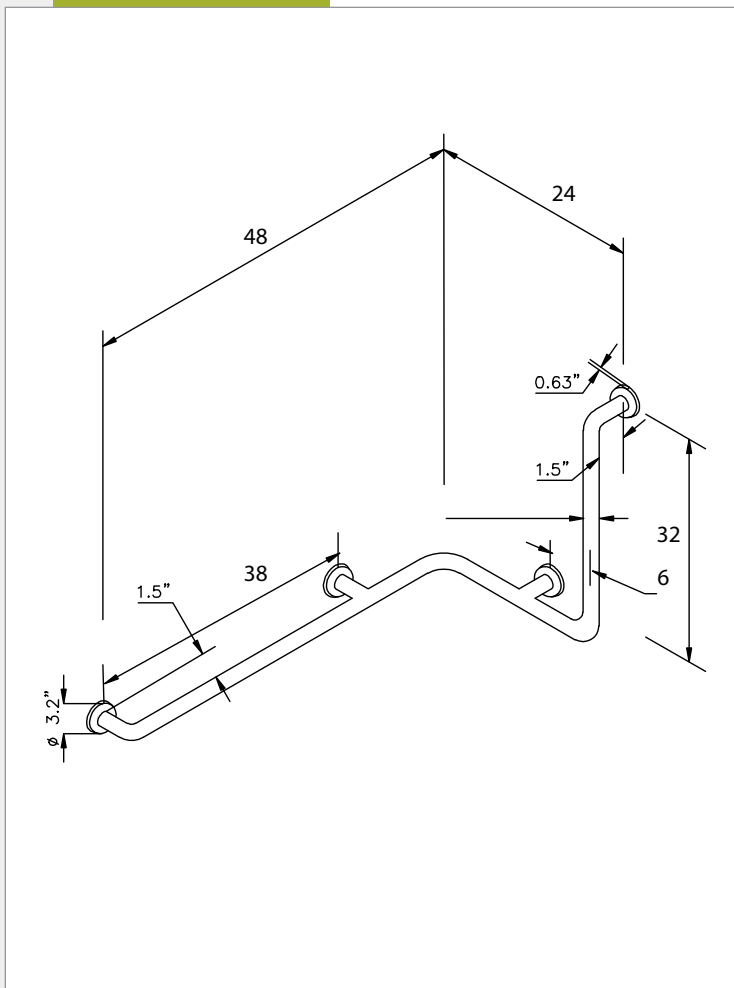
# C17 TUB RAIL 30" X 30"



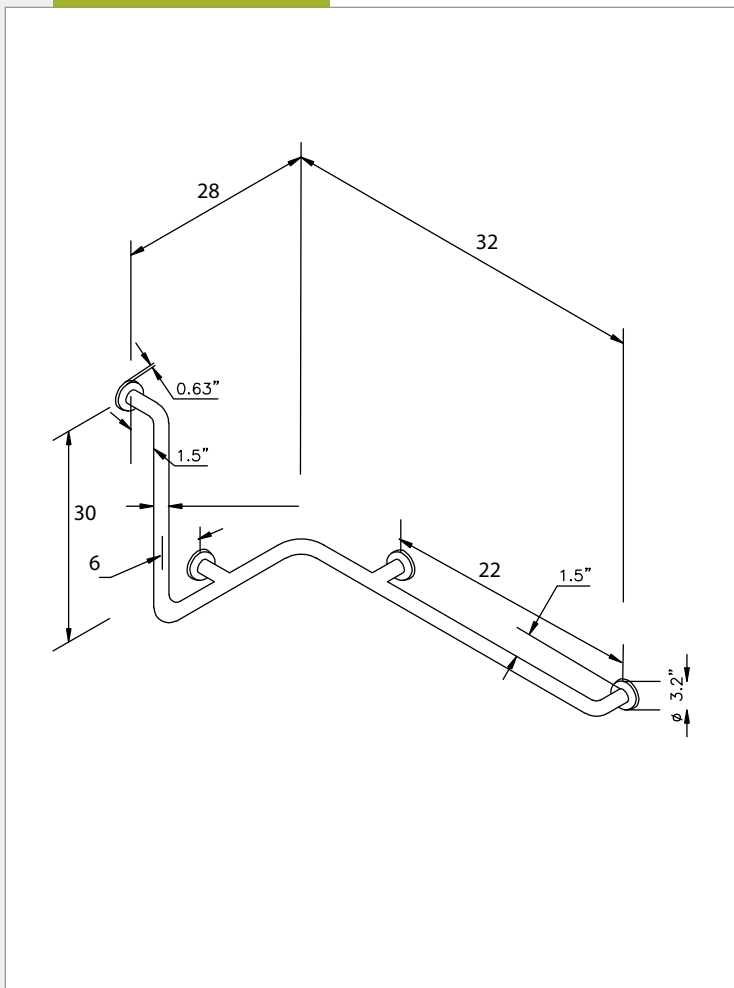
# C18 TUB RAIL 48" X 24" X 32"

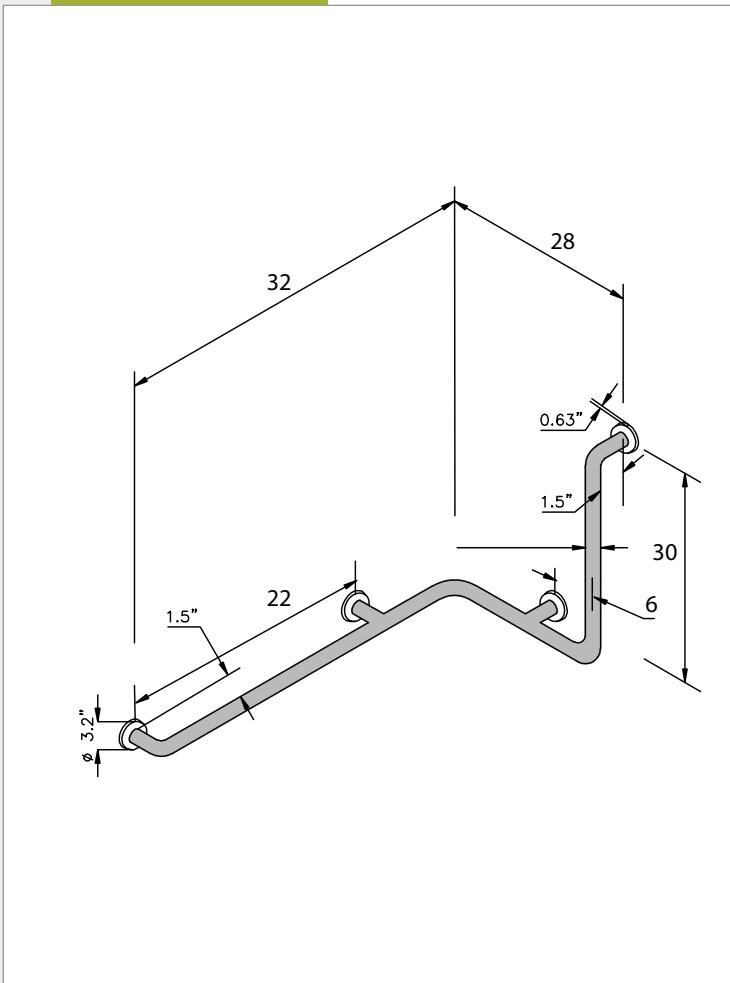
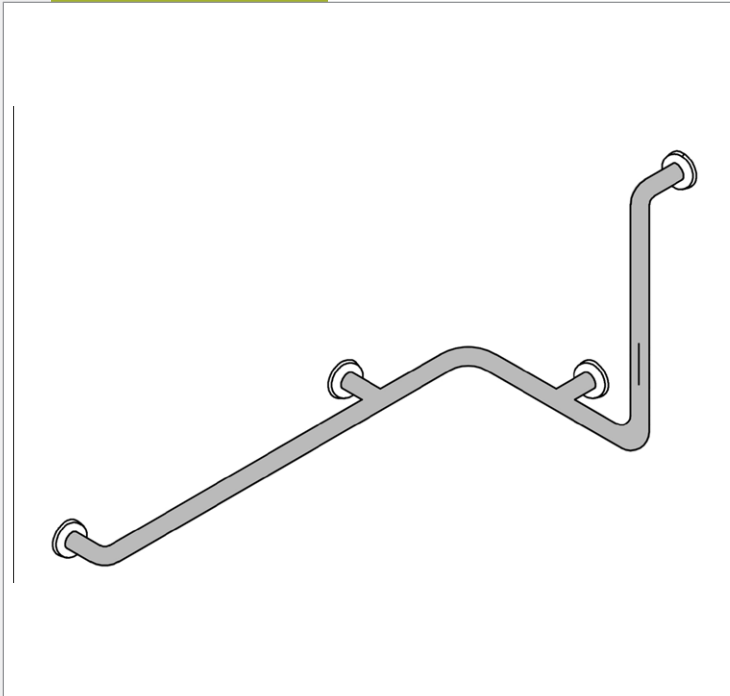


# C19 TUB RAIL 48" X 24" X 32"

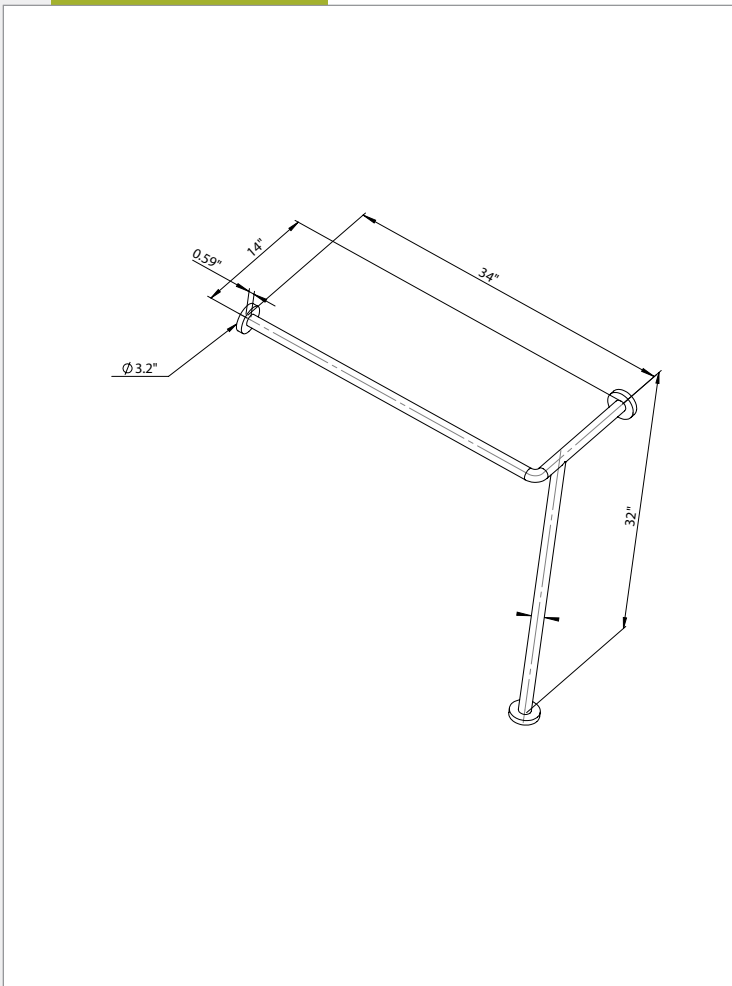


# C20 TUB RAIL 32" X 28" X 30"

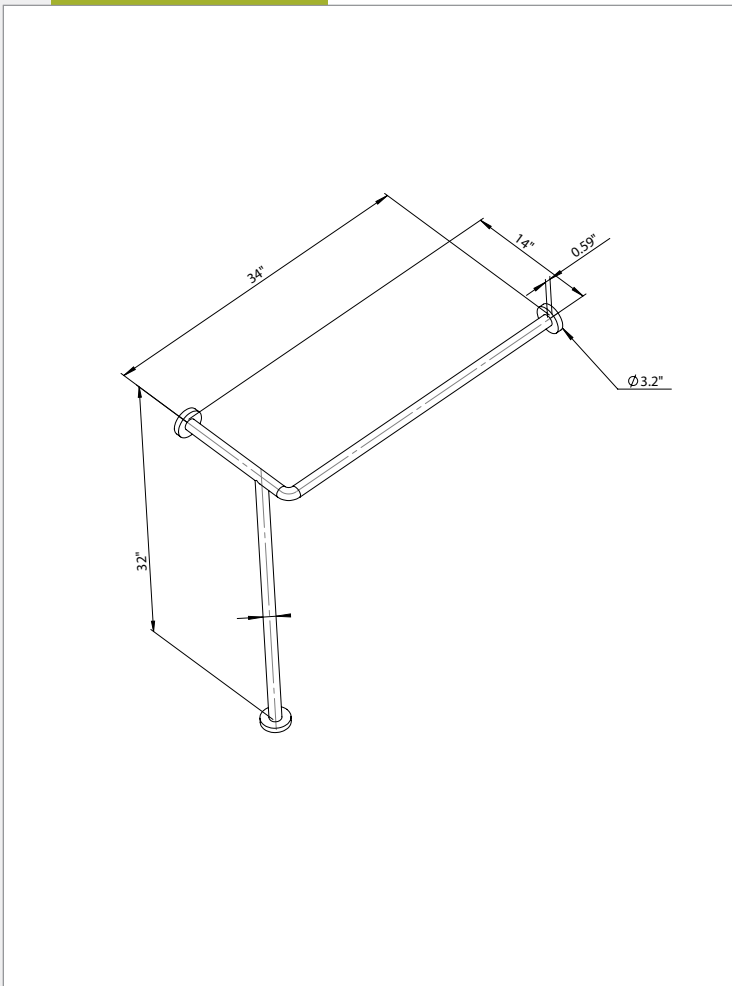


**C21 TUB RAIL 32" X 28" X 30"**

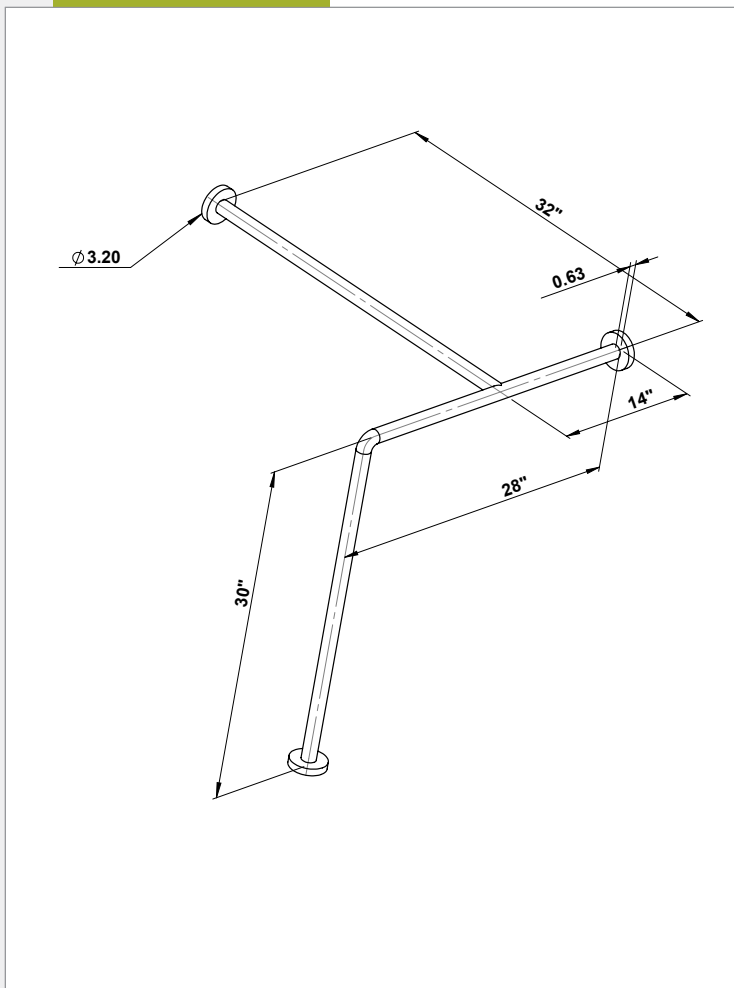
# C22 STANDING TUB RAIL 34" X 14" X 32"



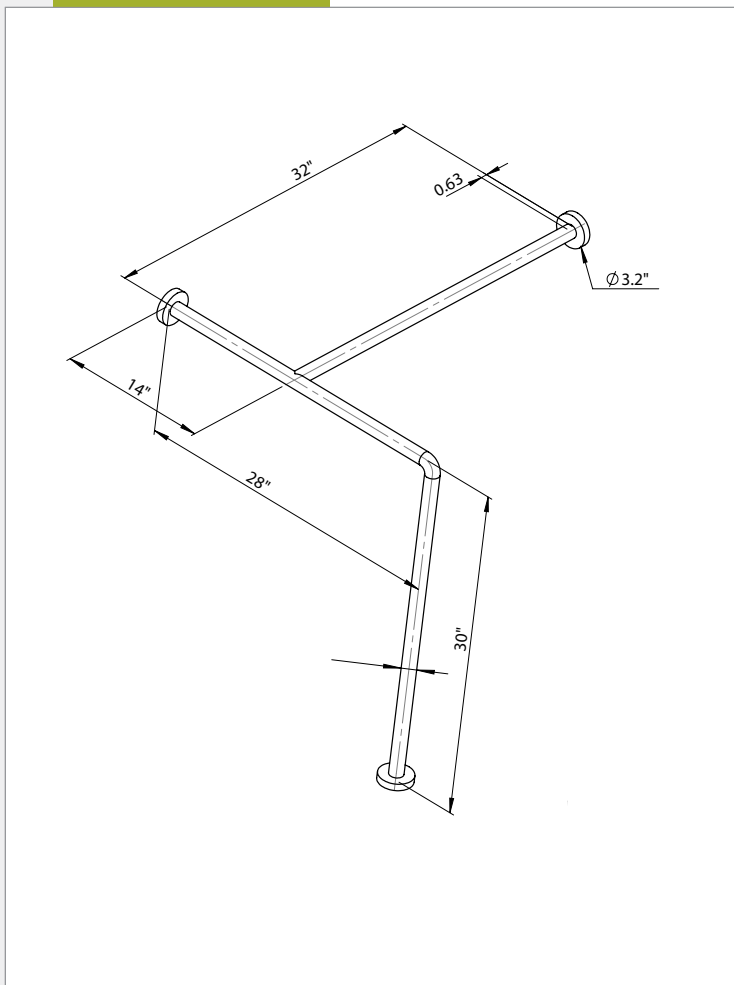
# C23 STANDING TUB RAIL 34" X 14" X 32"



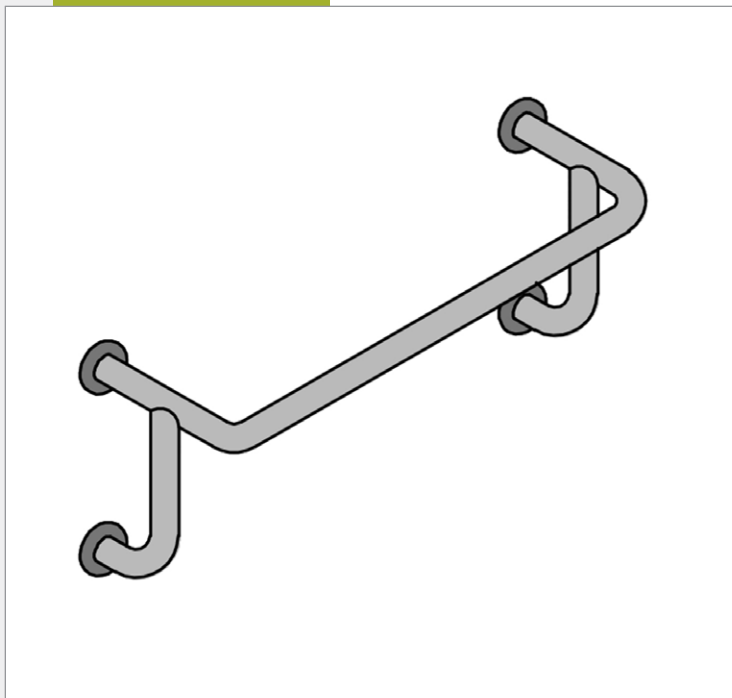
# C24 STANDING TUB RAIL 32" X 28" X 30"



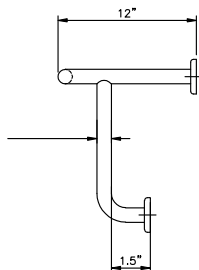
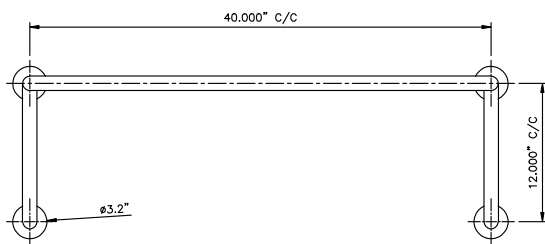
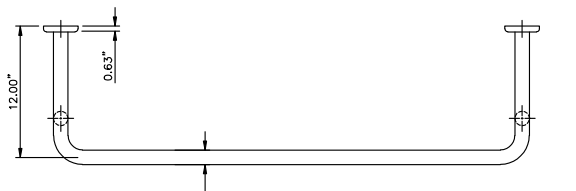
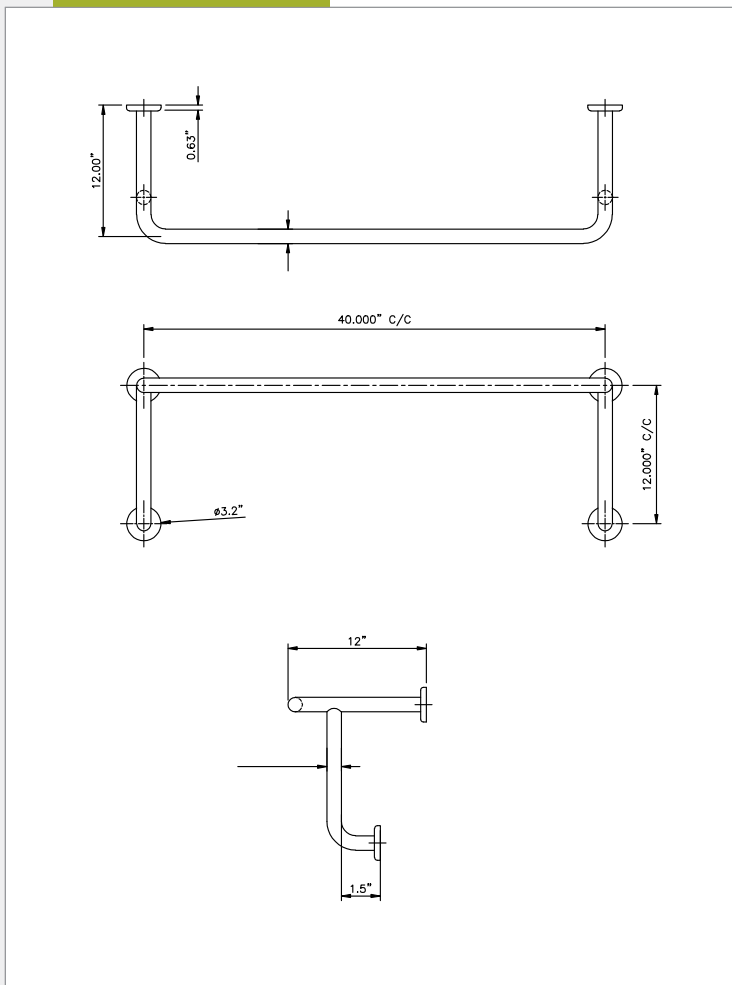
# C25 STANDING TUB RAIL 32" X 28" X 30"



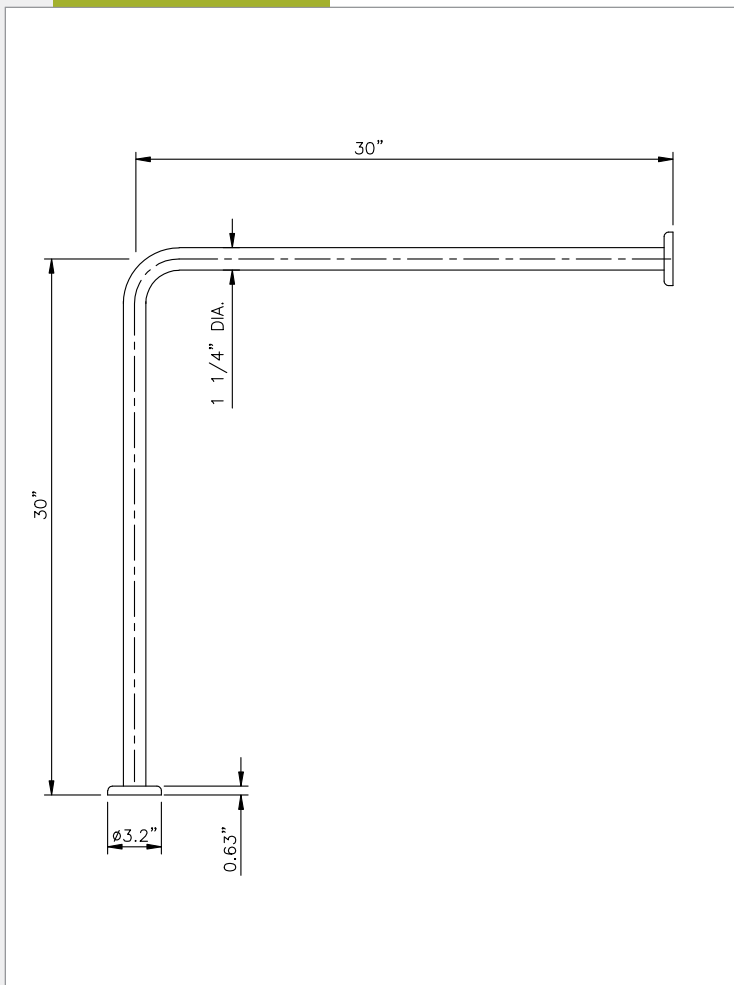
## C26/C26B - HORIZONTAL TUB RAIL WITH OUTRIGGER



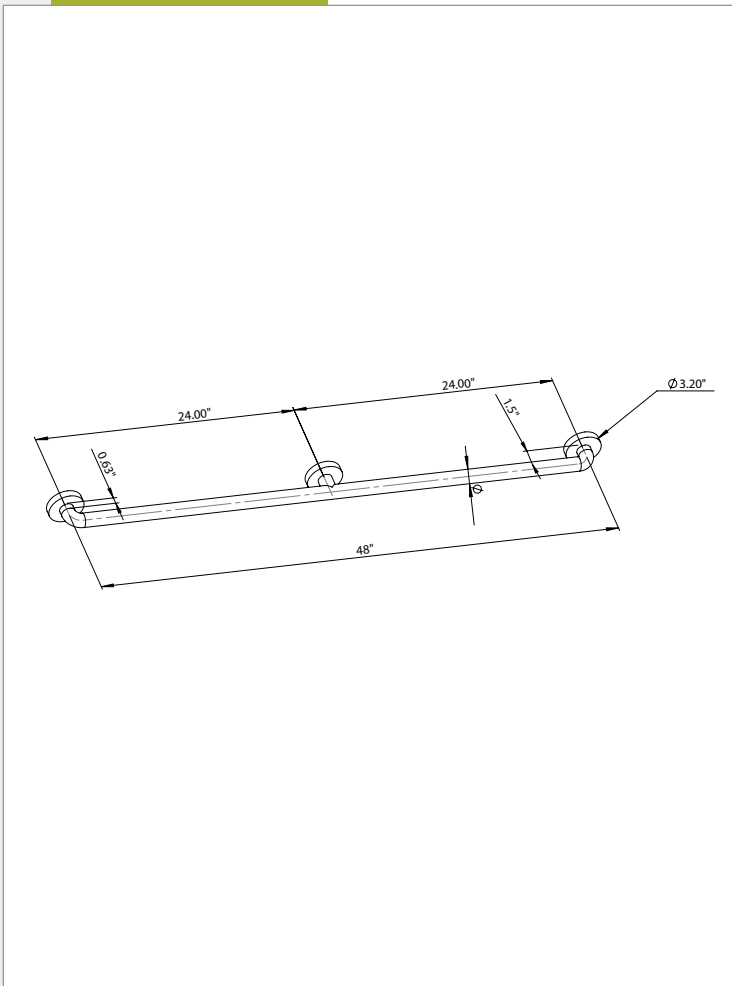
- C26 Shown
- C26B with 32" Legs to Floor



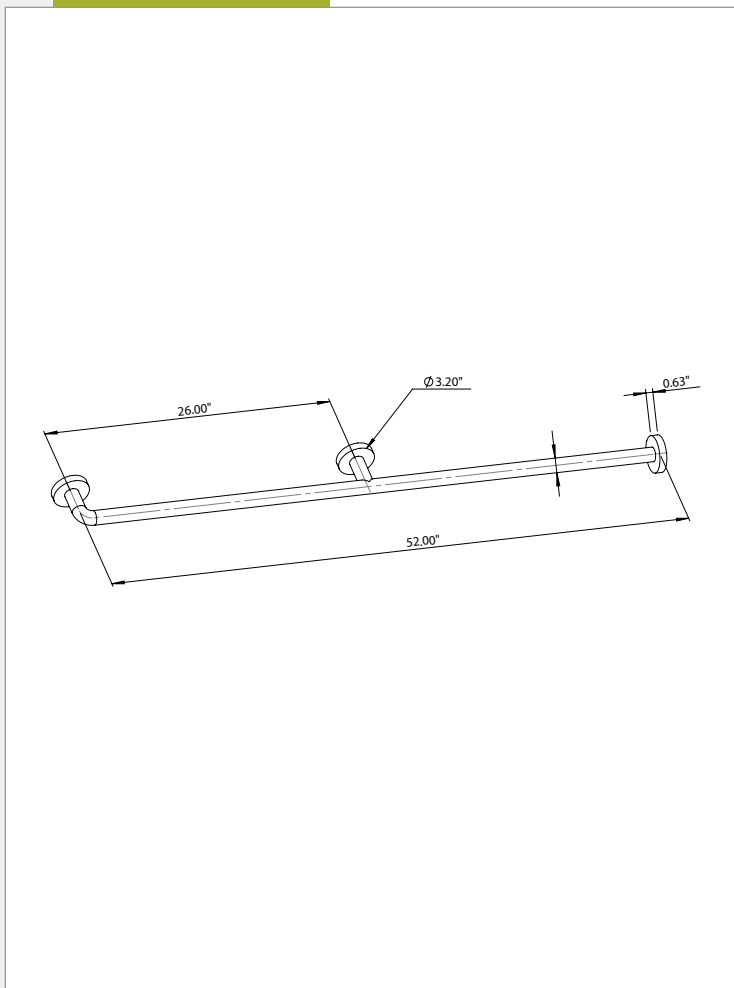
# C27 WALL TO FLOOR RAIL 30" X 30"



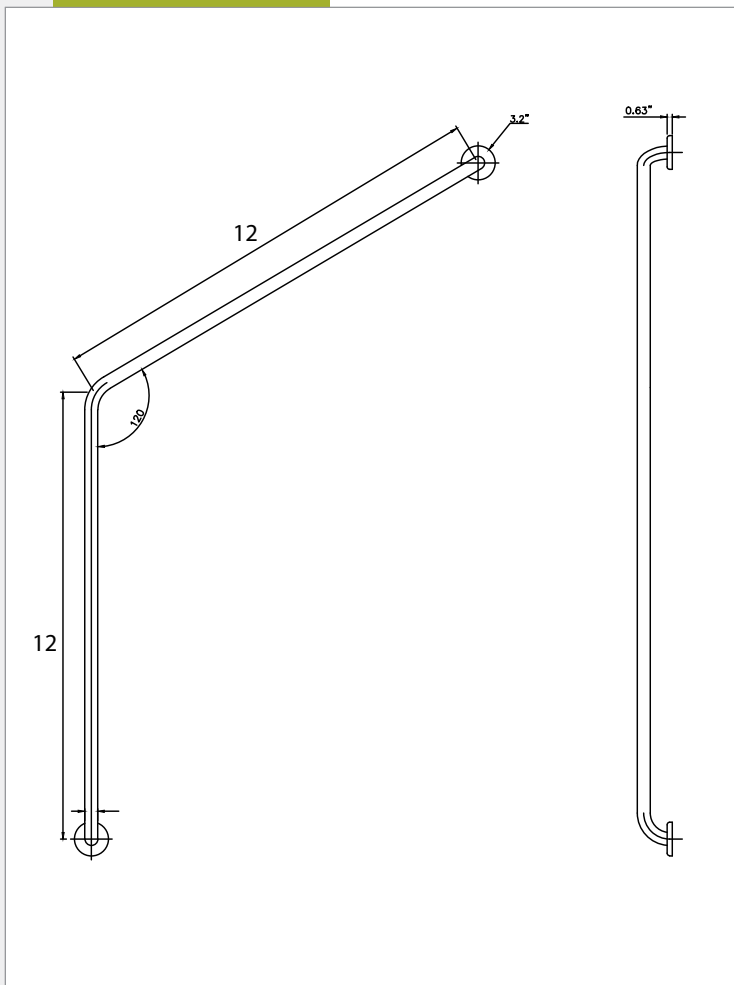
# C28 STRAIGHT RAIL WITH SUPPORT 48"



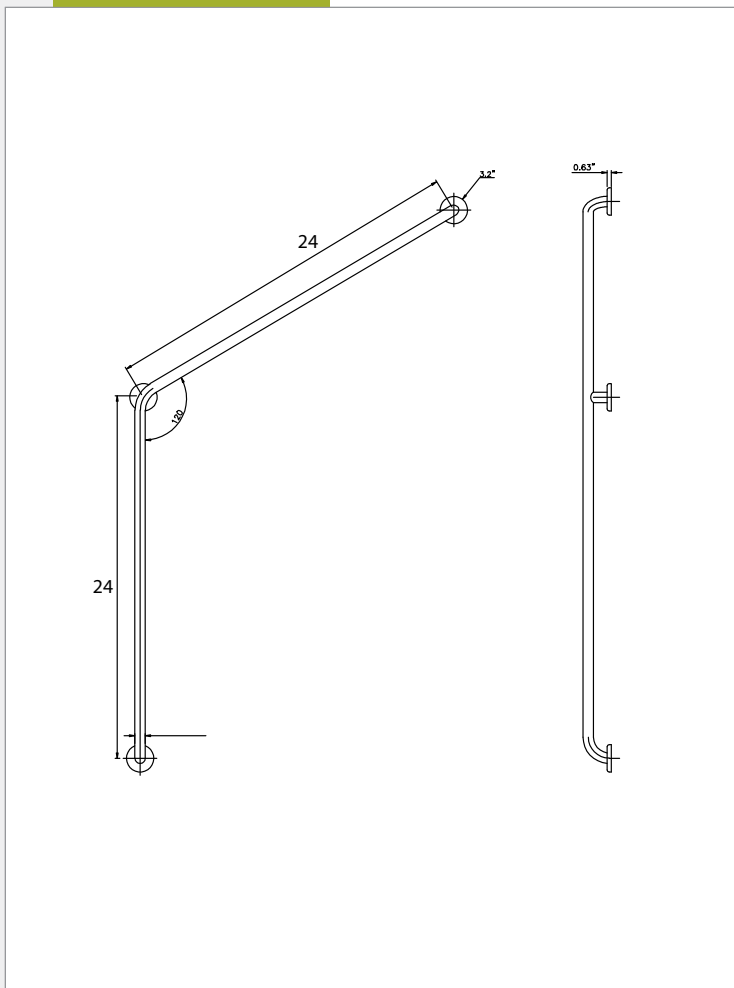
# C29 STRAIGHT RAIL WITH SUPPORT 52"



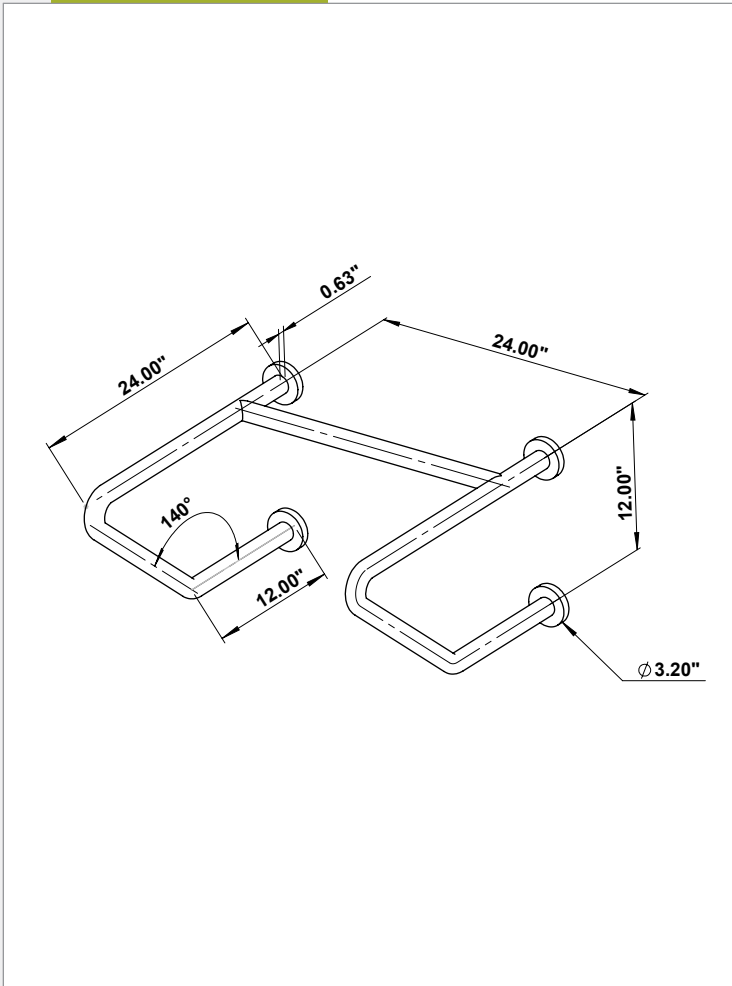
# C30 120 DEGREE "L" SHAPE WALL RAIL 12" X 12"



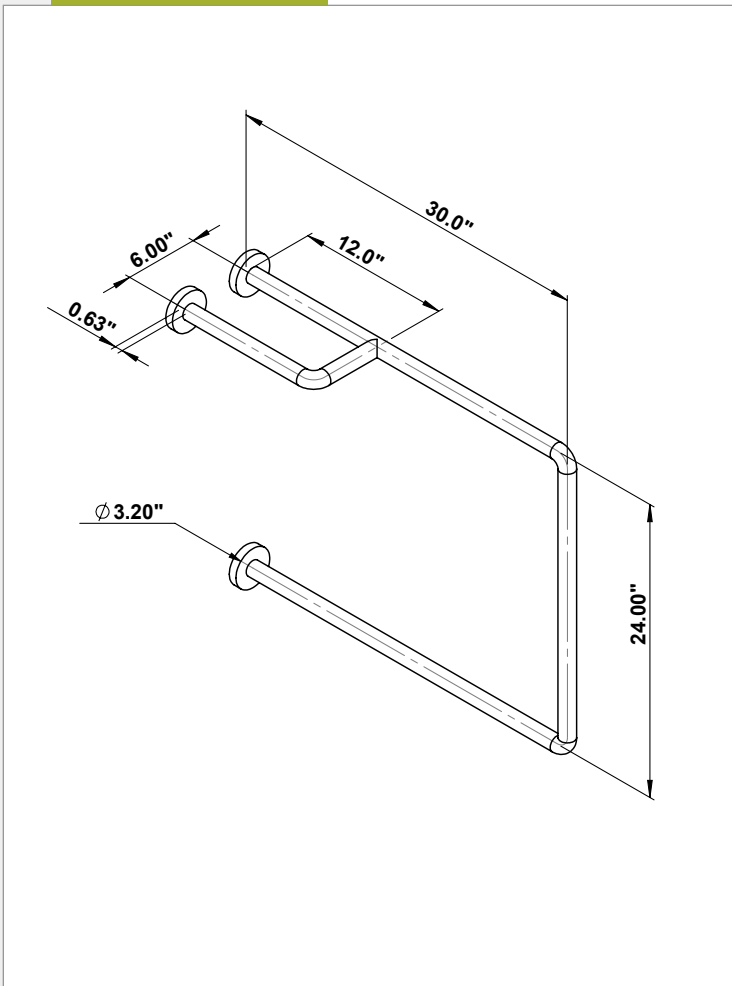
# C31 120 DEGREE "L" SHAPE WALL RAIL 24" X 24"



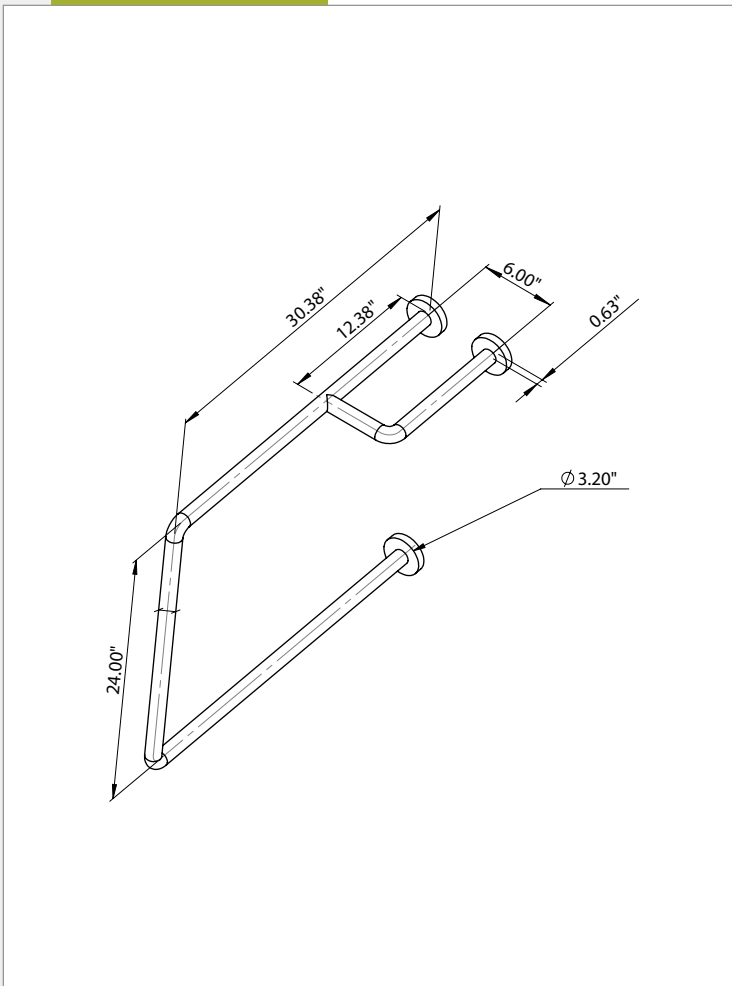
# C32 DOUBLE RAIL TAPERED 24" X 24" X 12"



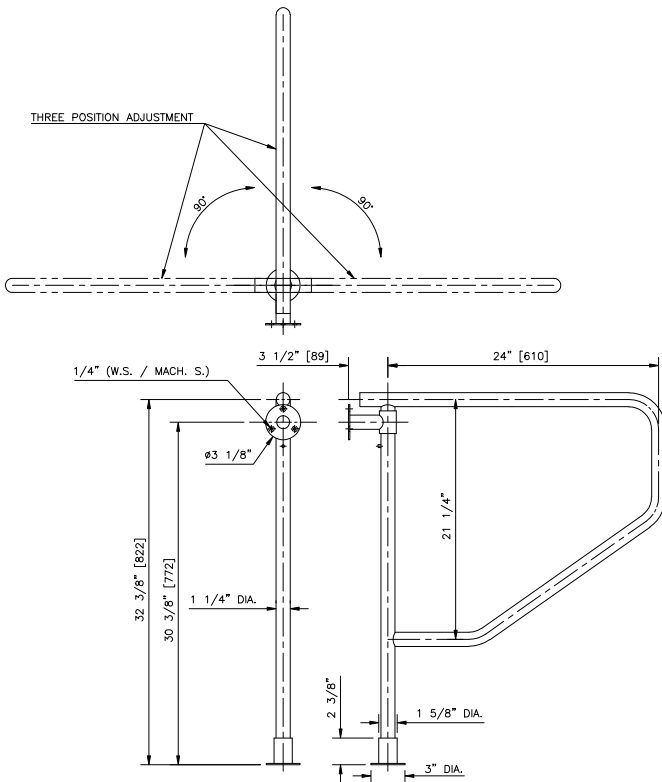
# C33 SIDE RAIL WITH OUTRIGGER 30" X 6" X 24"



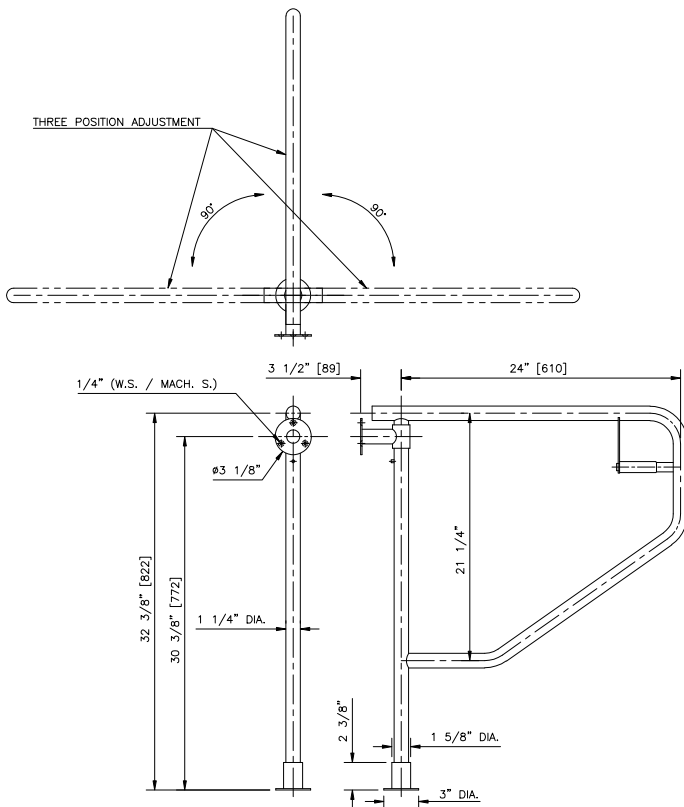
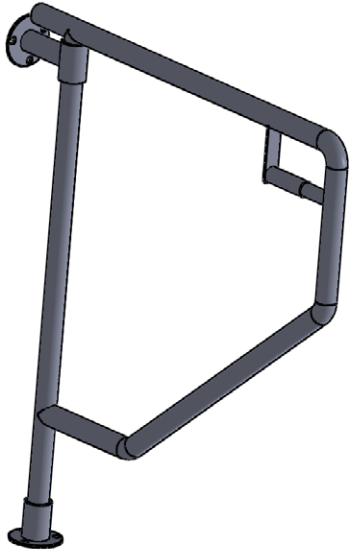
# C34 SIDE RAIL WITH OUTRIGGER 30" X 6" X 24"



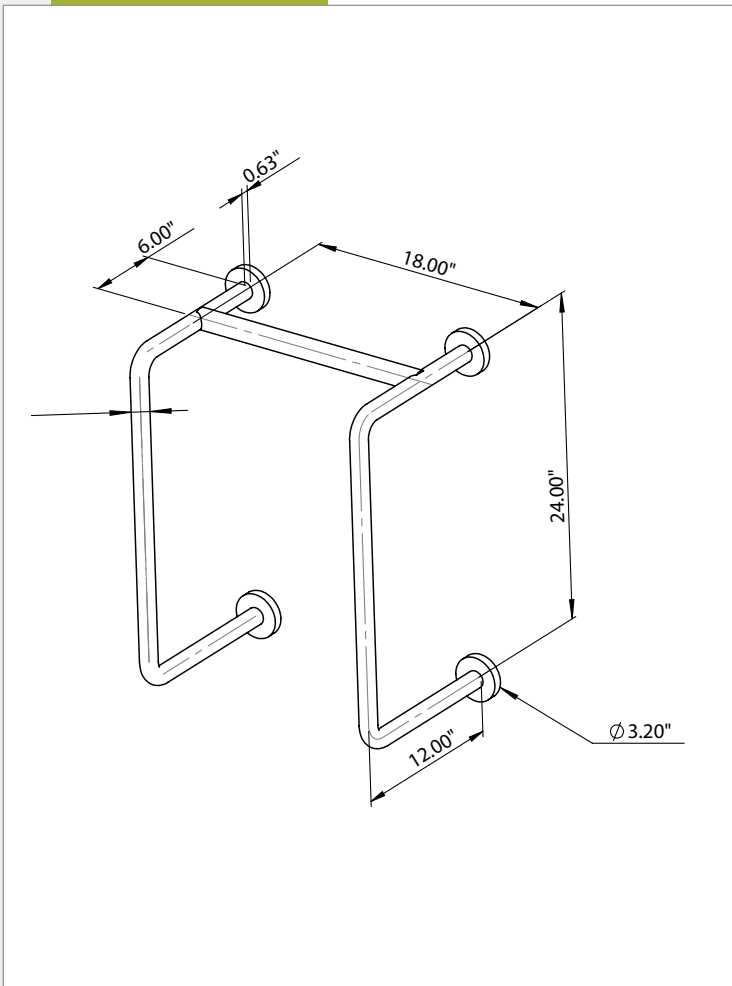
## C35A SWING CLEAR



## C35AT SWING CLEAR WITH TOILET PAPER HOLDER

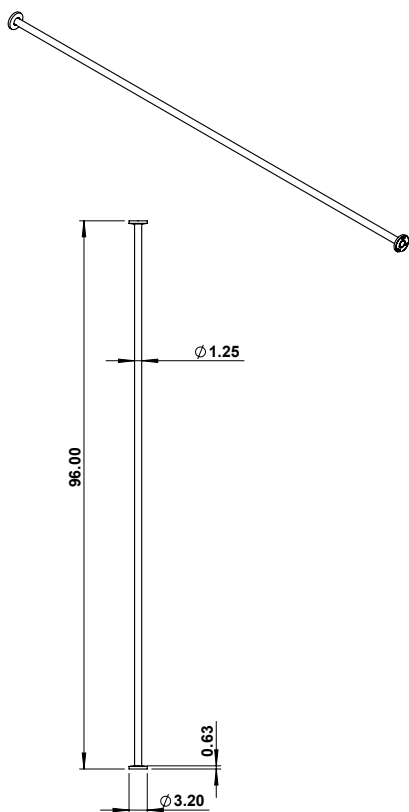
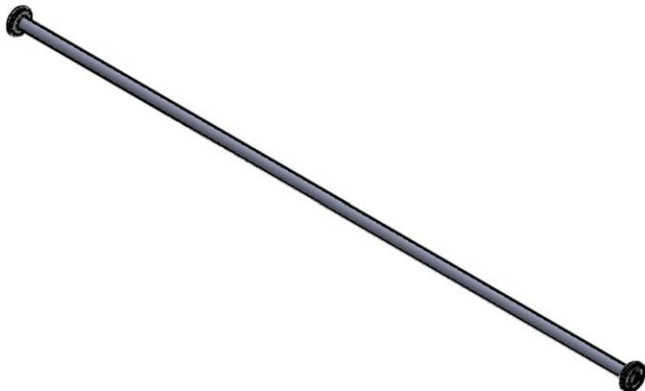


# C36 DOUBLE RAIL STRAIGHT 18" X 24" X 12"

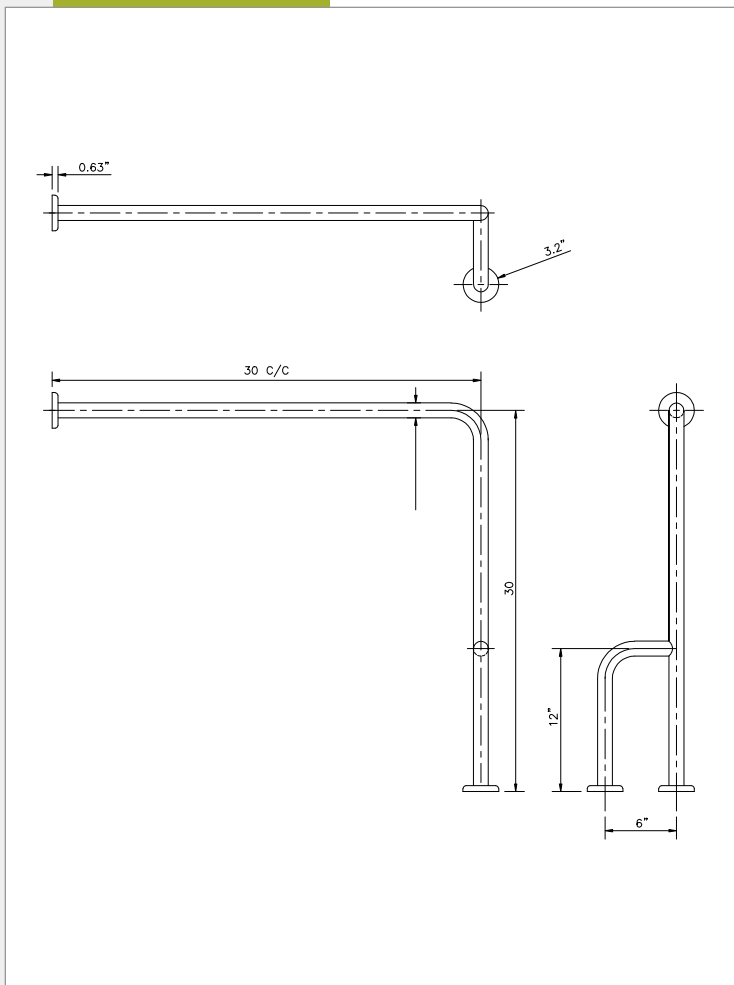


**C37 FLOOR TO CEILING 8' - 0"**

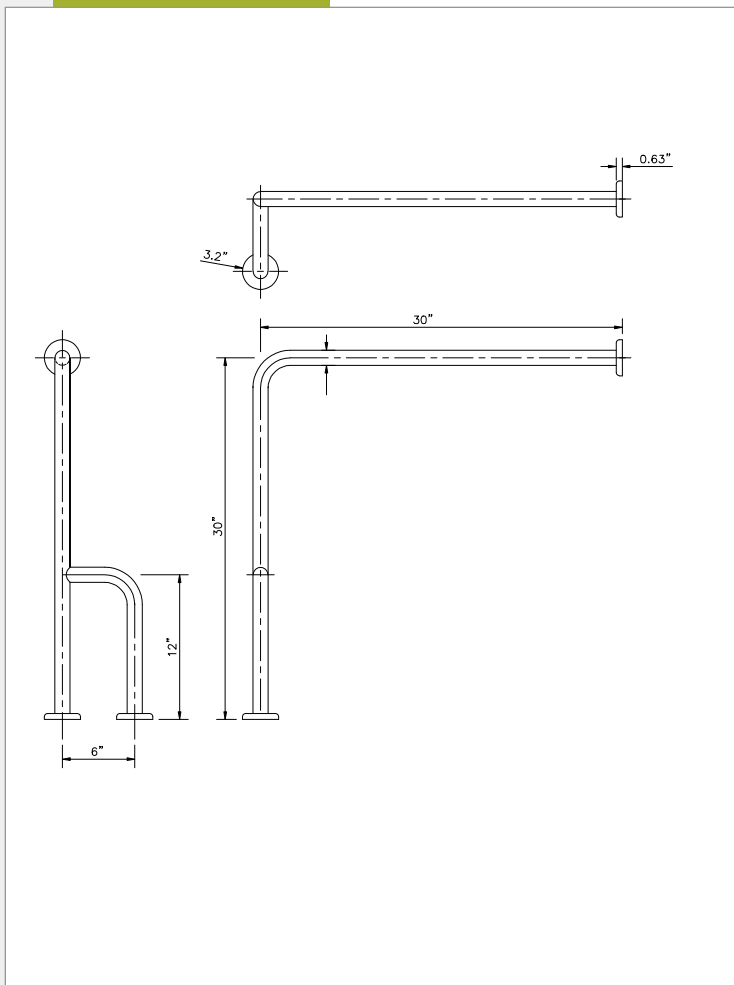
- Note: Other Sizes Available
- Fixed Bottom Flange and Loose Ceiling Flange



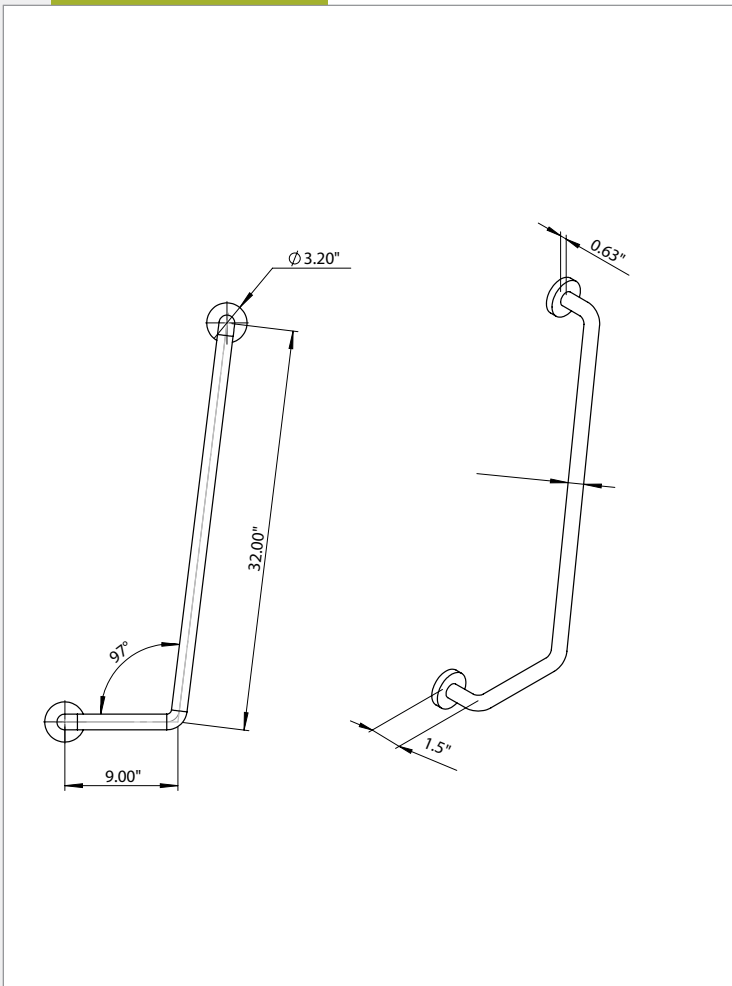
# C38 WALL TO FLOOR RAIL C/W OUTRIGGER 30" X



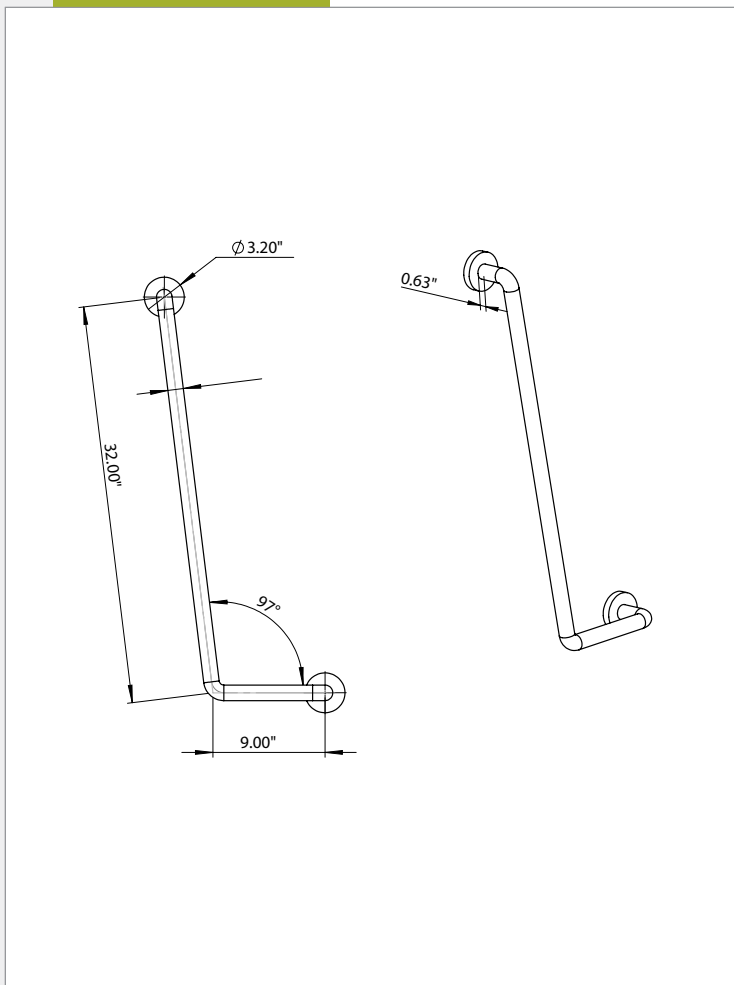
# C39 WALL TO FLOOR RAIL C/W OUTRIGGER 30" X 30"



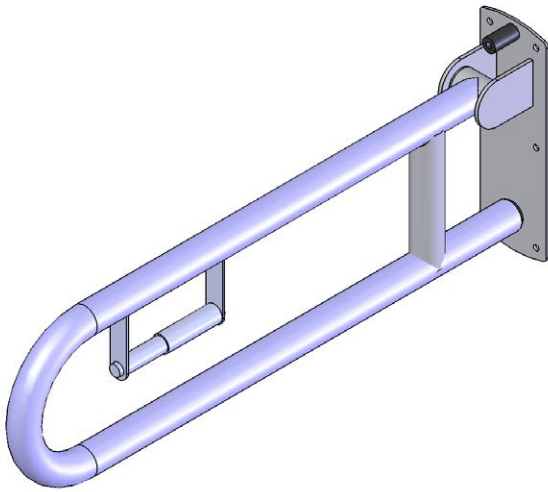
# C40 97 DEGREE WALL RAIL 9" X 32"



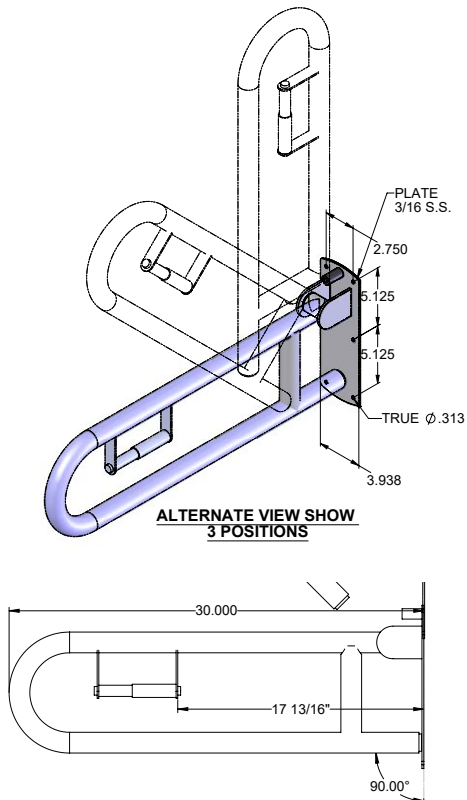
# C41 97 DEGREE WALL RAIL 9" X 32"



## C42 LIFT UP GRAB BAR



- Optional Toilet Tissue Holder shown
- Stainless Steel 1.25" diameter

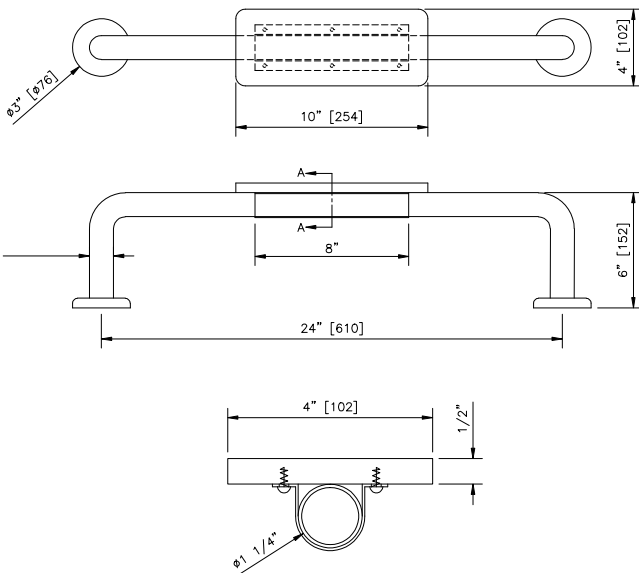
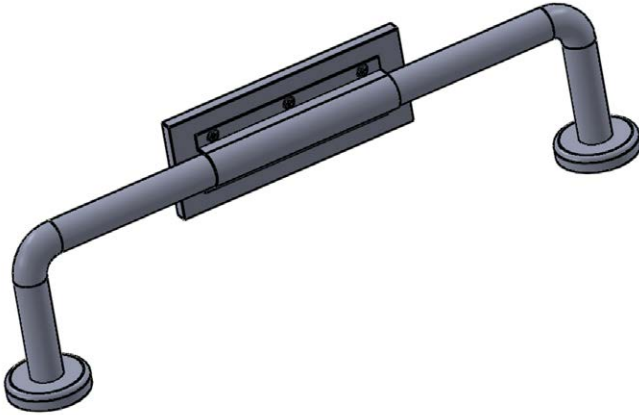


**NOTE: LABORATORY TESTED TO 500LBS  
WALL FASTENERS NOT INCLUDED**

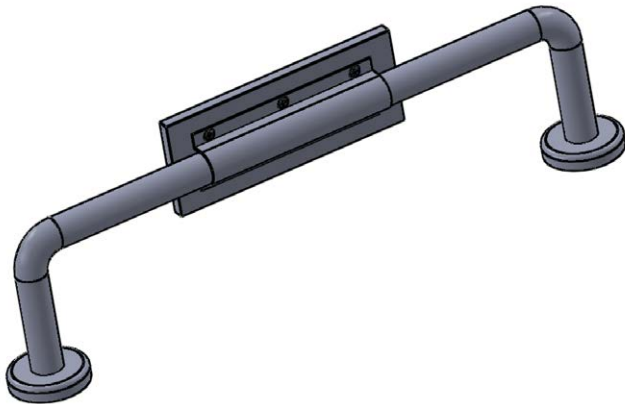


## BR-50 BACK REST GRAB BAR 24" EXPOSED

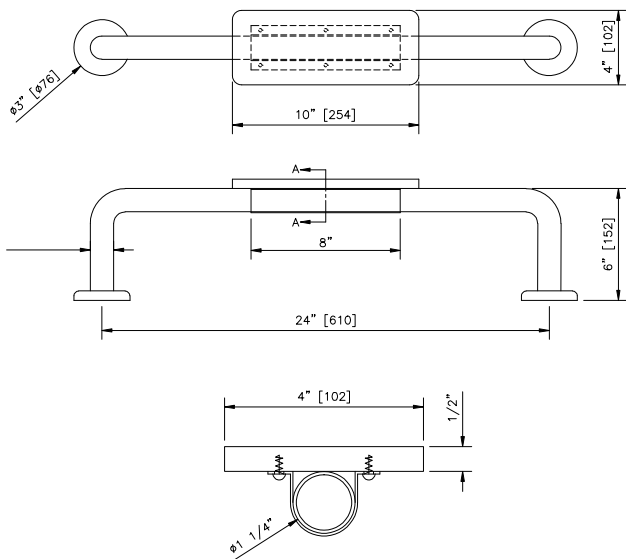
- C/W 10" Back Rest
- (Exposed Flange not shown)

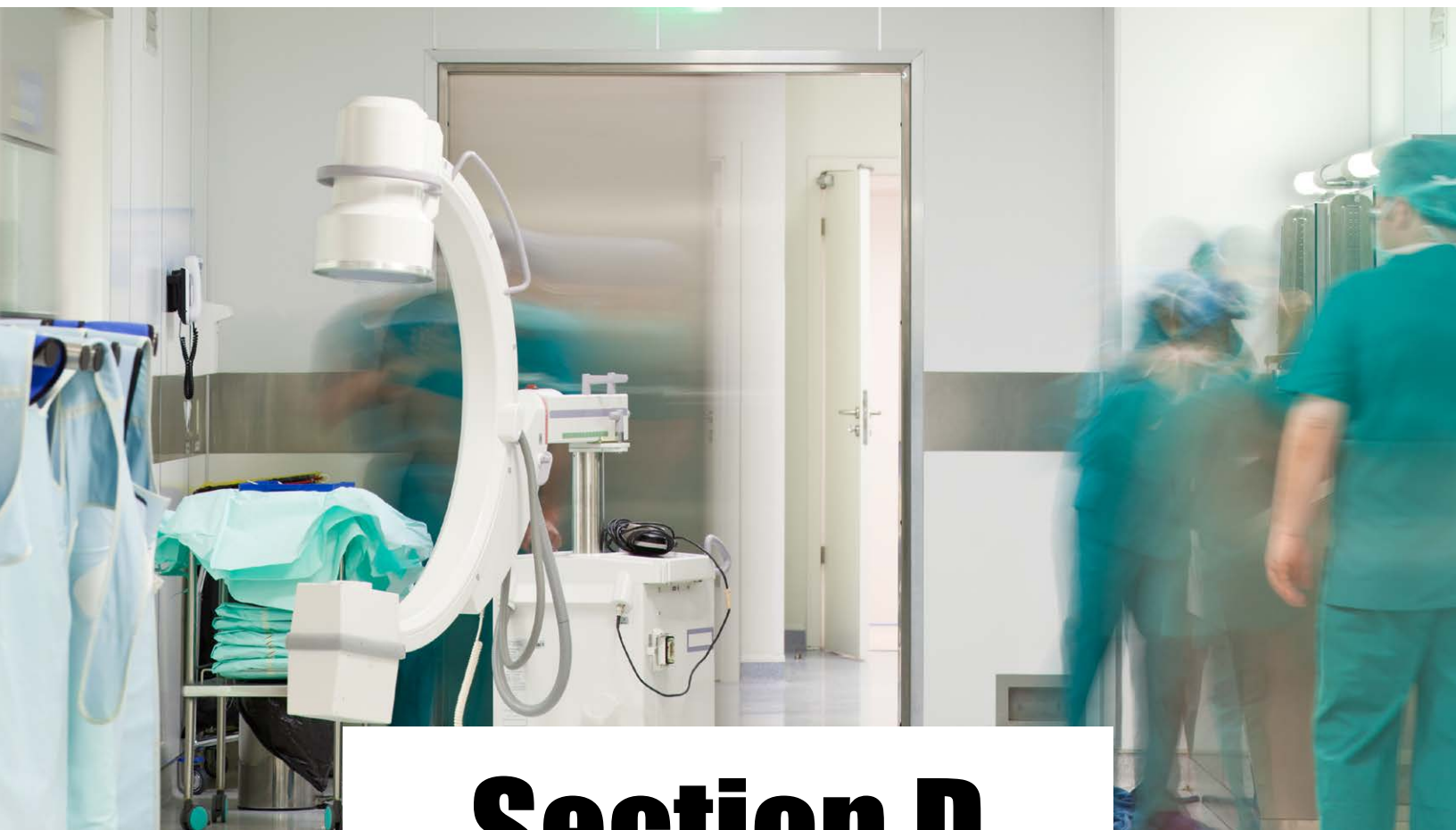


## BR-51 BACK REST GRAB BAR 24" CONCEALED



- C/W 10" Back Rest
- (Concealed Flange shown)

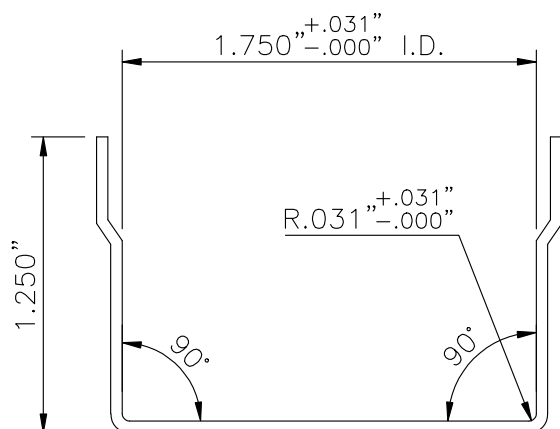




# Section D

FLATWARE

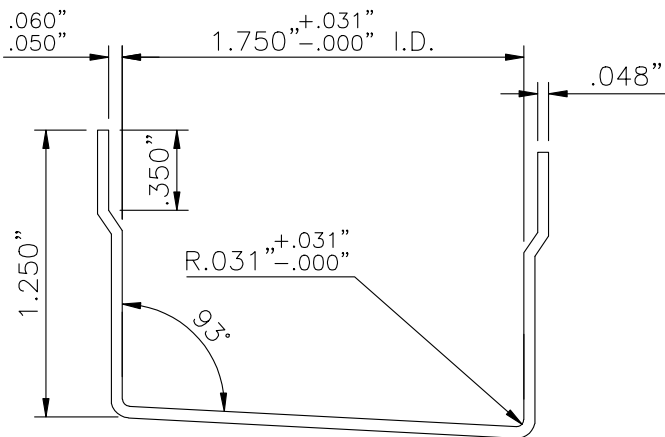
**Gallery**<sup>™</sup>  
specialty hardware

**GSH 30N OVERLAPPING TYPE 90° DOOR EDGE**

**NOTE: MADE TO ORDER P.O.A.**



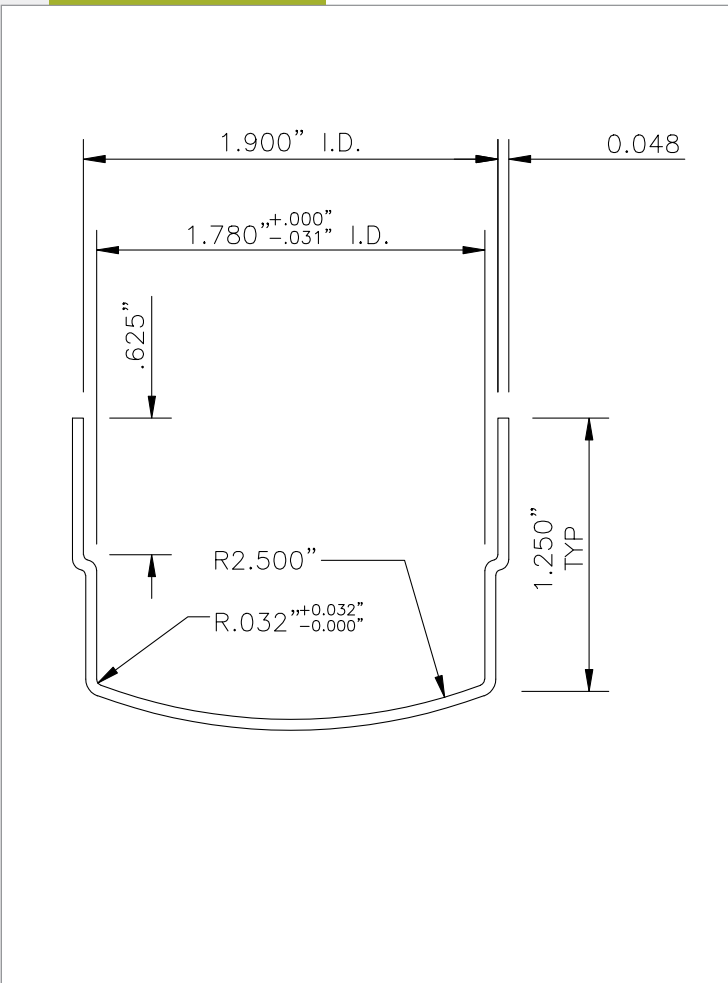
## GSH 31N OVERLAPPING TYPE 93° DOOR EDGE



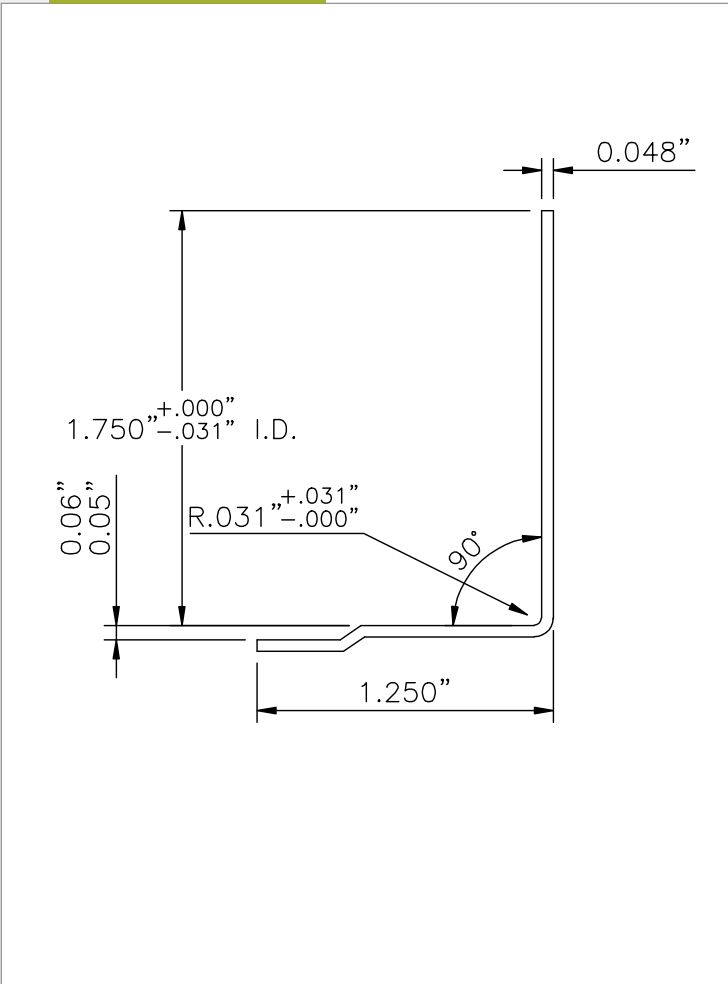
NOTE: MADE TO ORDER P.O.A.



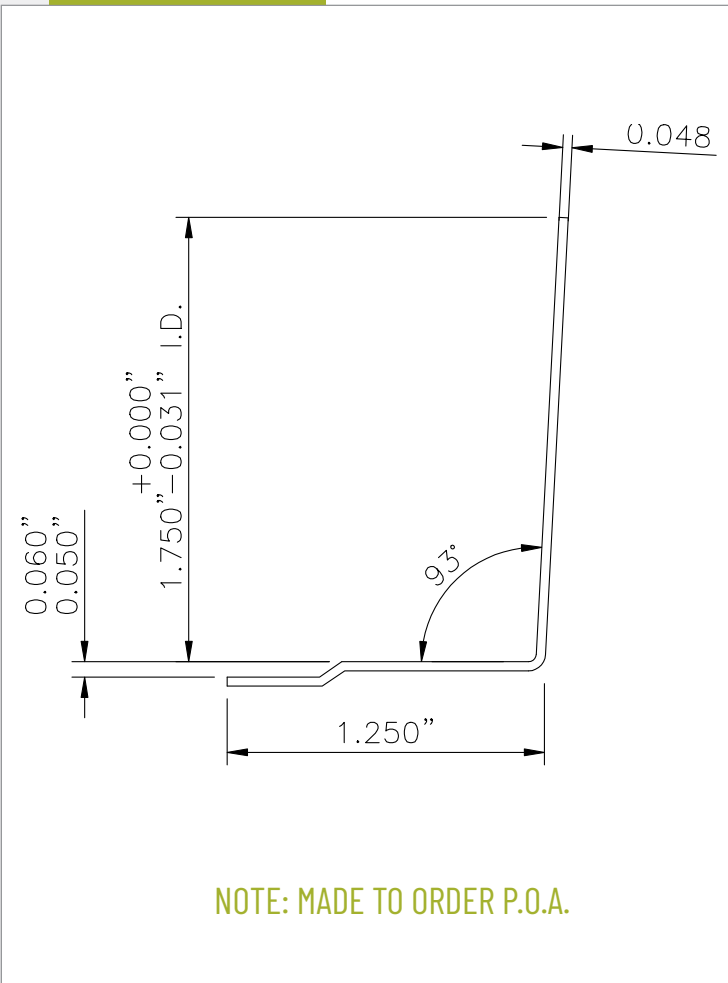
## GSH 32N OVERLAPPING TYPE RADIUS DOOR EDGE



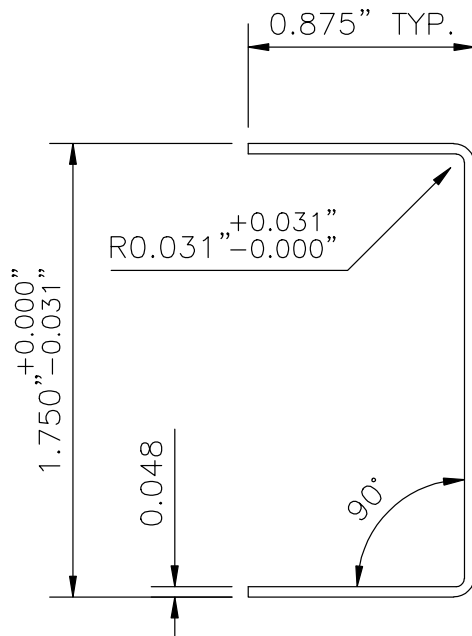
## GSH 33N OVERLAPPING TYPE 90° DOOR EDGE



## GSH 34N OVERLAPPING TYPE 93° DOOR EDGE



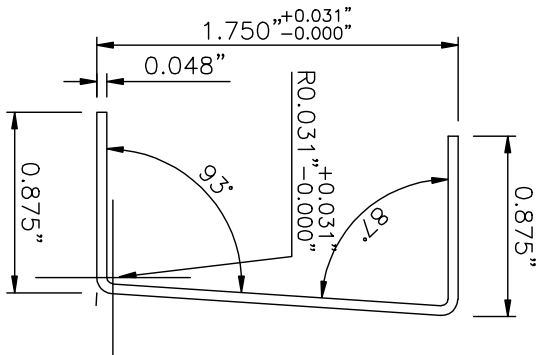
## GSH 35N MORTISE TYPE 90° DOOR EDGE



NOTE: MADE TO ORDER P.O.A.



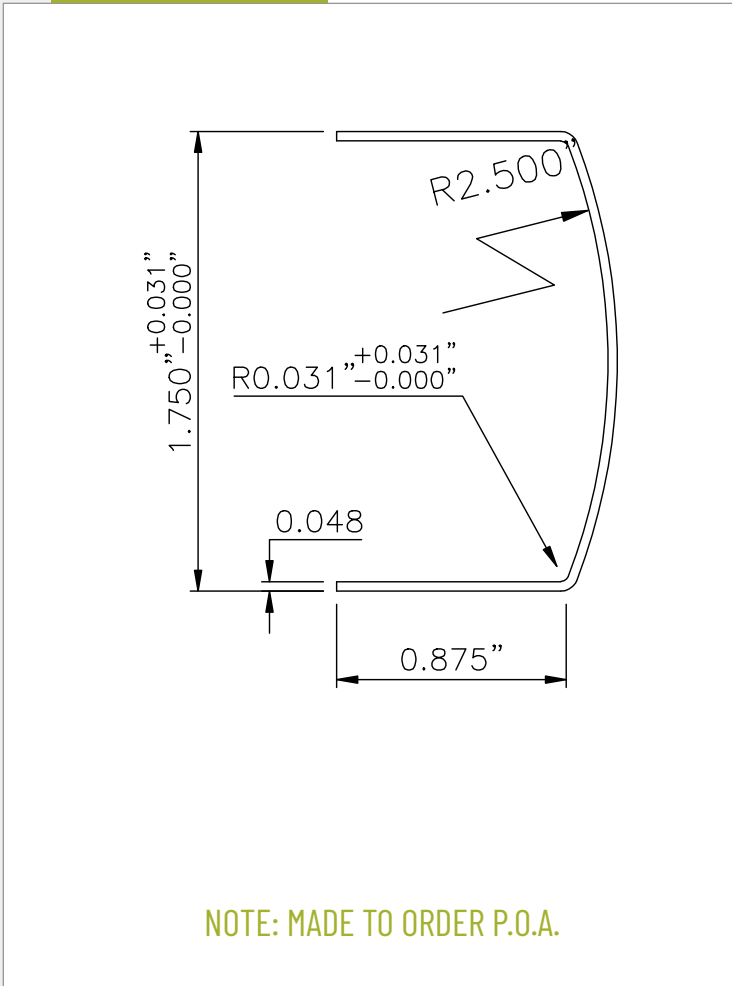
## GSH 36N MORTISE TYPE 93° DOOR EDGE



NOTE: MADE TO ORDER P.O.A.

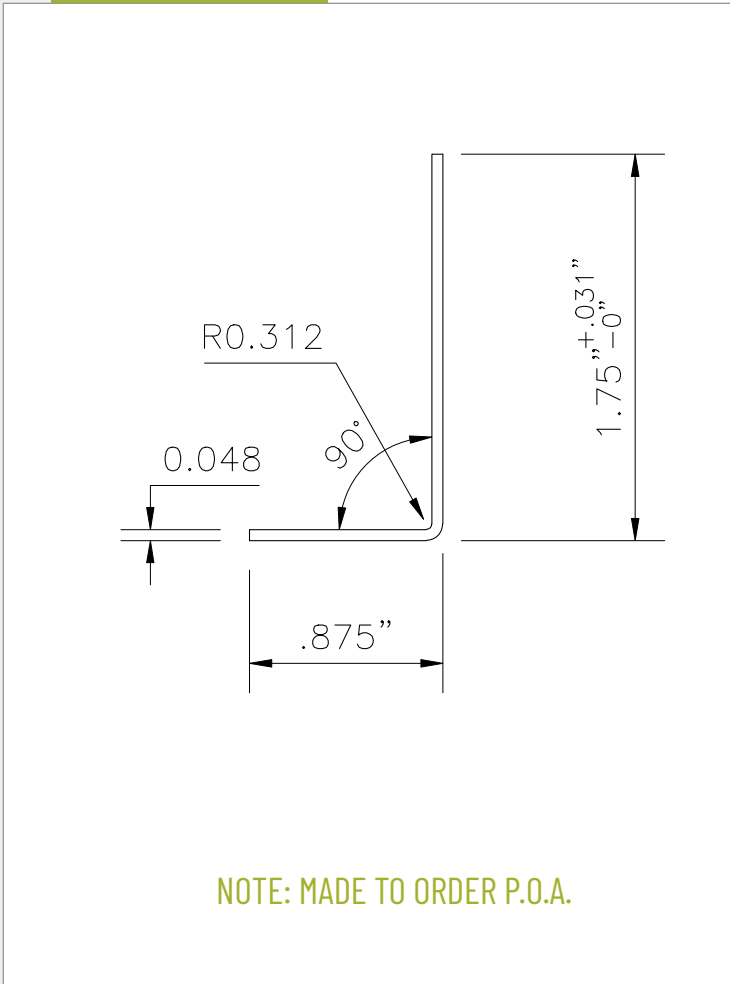


# GSH 37N MORTISE TYPE RADIUS DOOR EDGE



NOTE: MADE TO ORDER P.O.A.

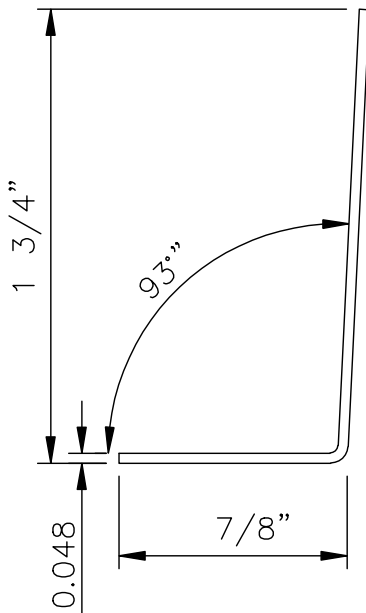
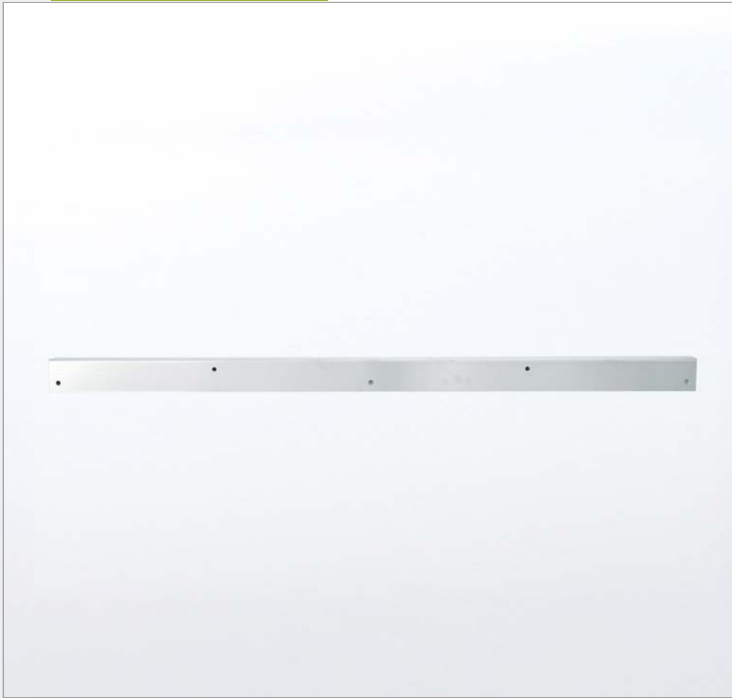


**GSH 38N MORTISE TYPE 90° DOOR EDGE**

NOTE: MADE TO ORDER P.O.A.



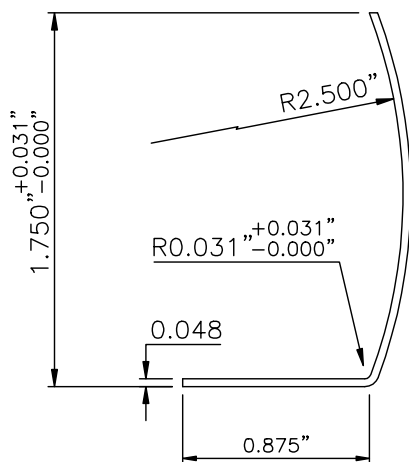
# GSH 39N MORTISE TYPE 93° DOOR EDGE



NOTE: MADE TO ORDER P.O.A.



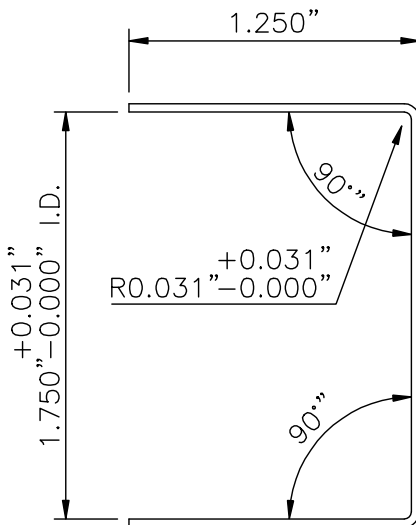
# GSH 40N MORTISE TYPE RADIUS DOOR EDGE



NOTE: MADE TO ORDER P.O.A.



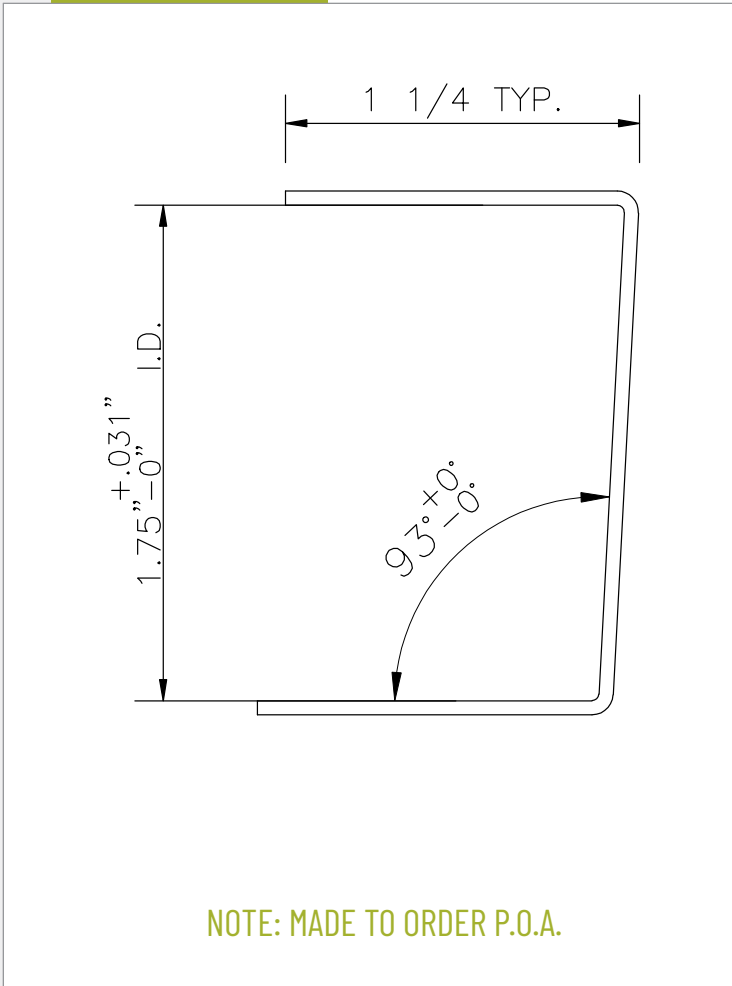
## GSH 41N BUTTED TYPE 90° DOOR EDGE



NOTE: MADE TO ORDER P.O.A.

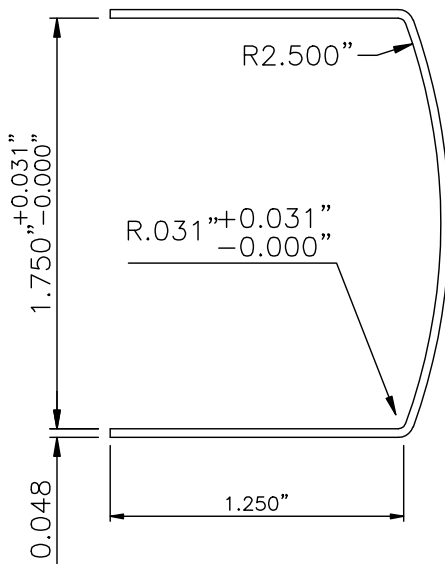


# GSH 42N BUTTED TYPE 93° DOOR EDGE



NOTE: MADE TO ORDER P.O.A.

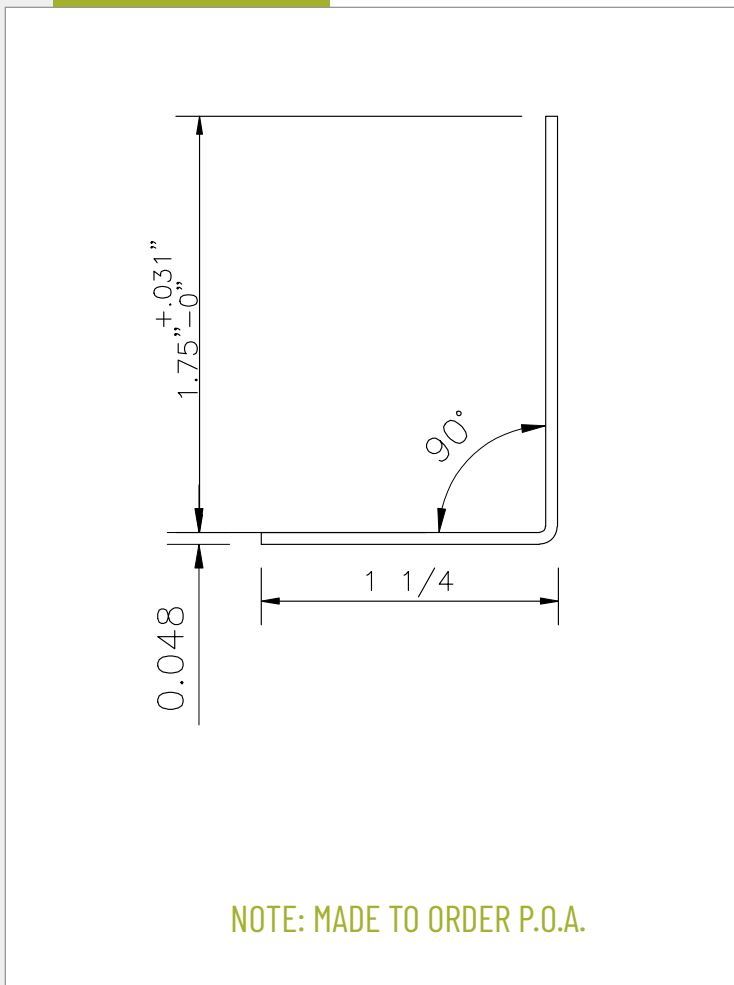


**GSH 43N BUTTED TYPE RADIUS DOOR EDGE**

NOTE: MADE TO ORDER P.O.A.



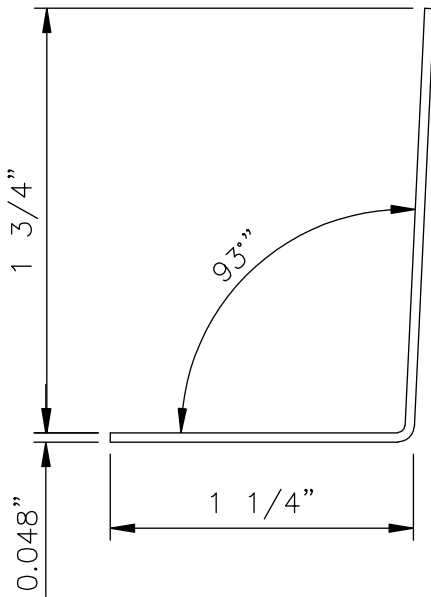
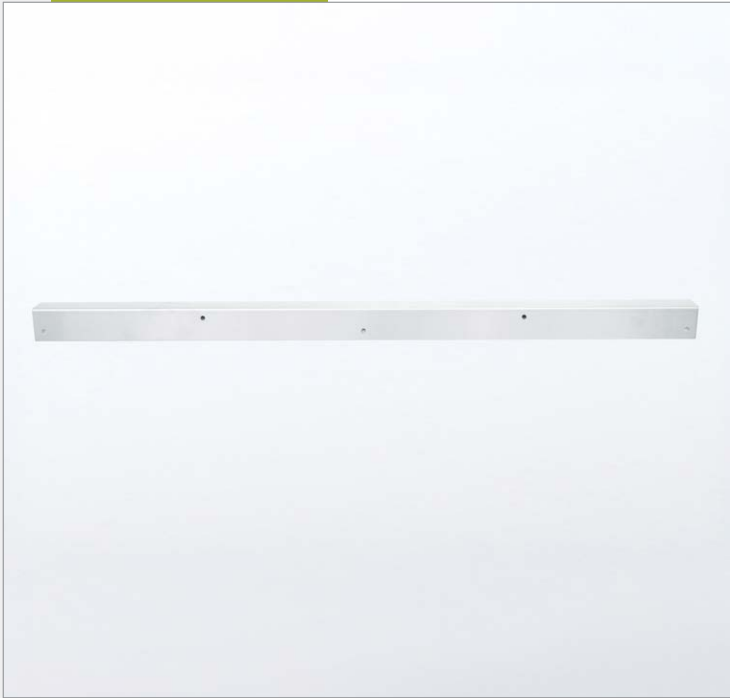
# GSH 44N BUTTED TYPE 90° DOOR EDGE



NOTE: MADE TO ORDER P.O.A.

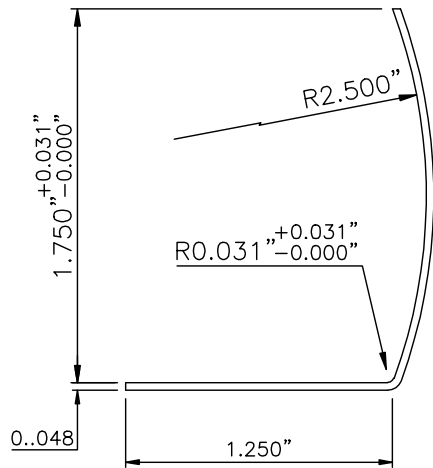


# GSH 45N BUTTED TYPE 93° DOOR EDGE



NOTE: MADE TO ORDER P.O.A.

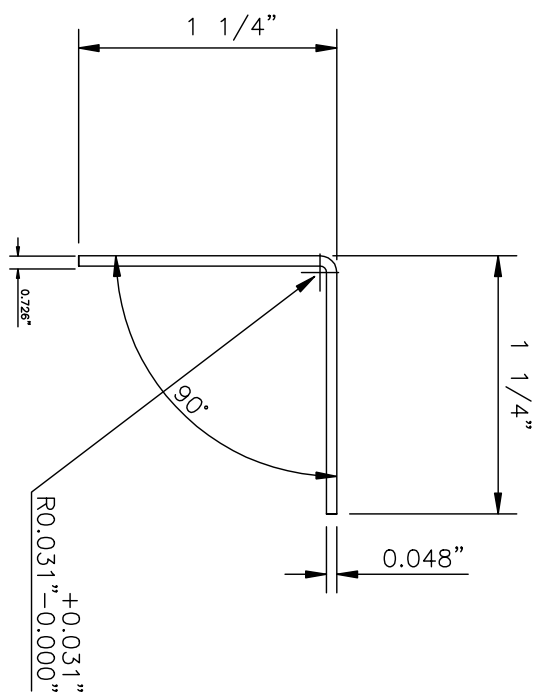


**GSH 46N BUTTED TYPE RADIUS DOOR EDGE**

**NOTE: MADE TO ORDER P.O.A.**



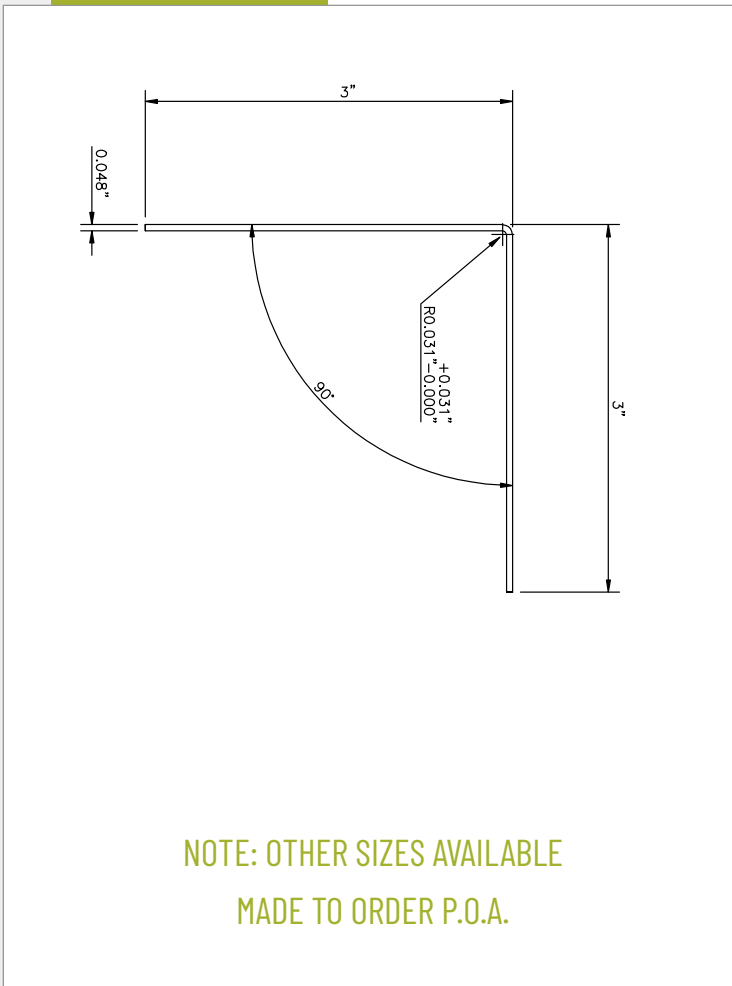
## GSH J82 CORNER GUARD 90° DOOR EDGE



NOTE: OTHER SIZES AVAILABLE  
MADE TO ORDER P.O.A.



# GSH J83 CORNER GUARD 90° DOOR EDGE



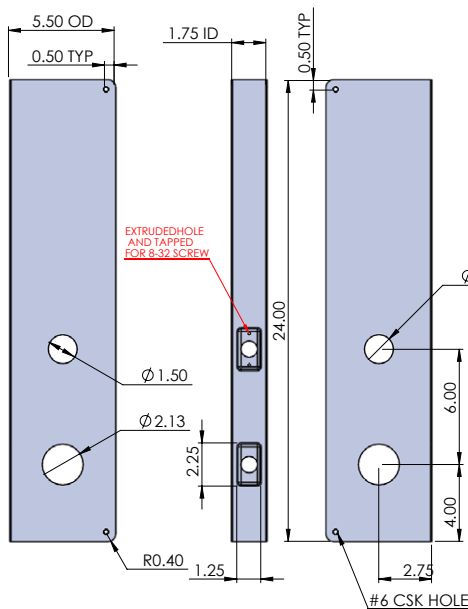
NOTE: OTHER SIZES AVAILABLE  
MADE TO ORDER P.O.A.



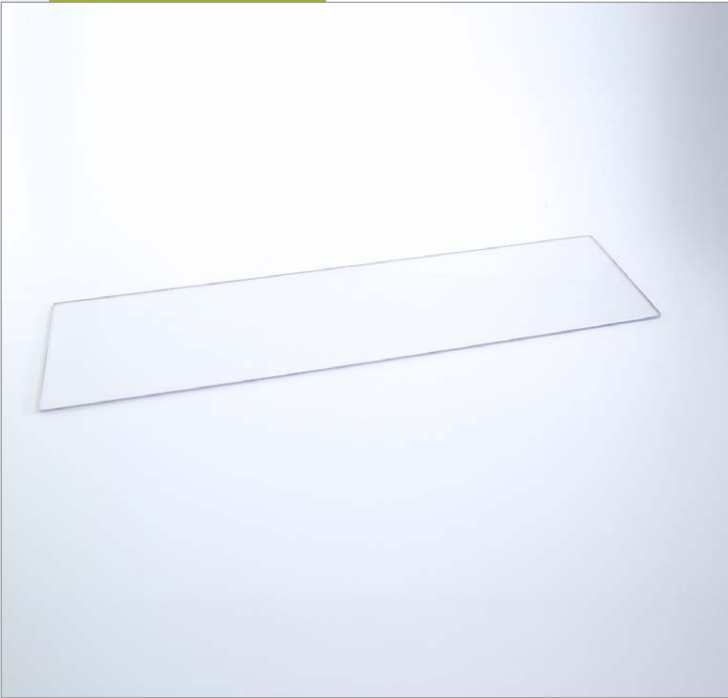
## GSH CUSTOM WRAP AROUND PLATES



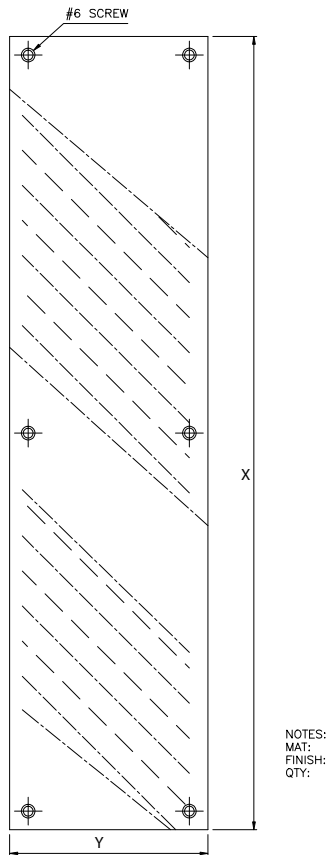
- Made to order full Wrap escutcheon Plates
- Specify width, height and inside dimension (Door thickness)
- Further information regarding hole size and location required
- Latch and Deadbolt preps embossed or cut out
- Holes in Corners or completely blank
- Logos, suite numbers, borders all available
- Plate over Plate for Contrasting finishes available
- Retrofit old installs or enhance new construction
- All ANSI/BHMA finishes available
- Competitive pricing
- 3 weeks delivery on most orders



## GSH 78 CLEAR PLASTIC KICK/PUSH PLATE



- .125 thick
- Screw Mounting with Beveled Edges Standard



**NOTE: SPECIFY SIZE P.O.A.**

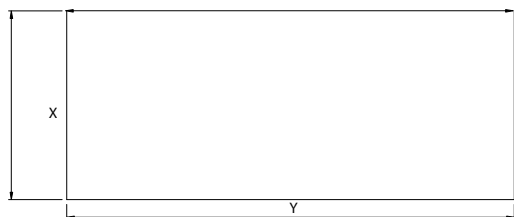


## GSH 80 KICK PLATE



- Base Metal: Brass, Bronze, Aluminum and stainless steel (Type 304).
- Screw Mounting with Beveled Edges supplied standard
- Finishes: All Standard
- Tape Mounting available
  - GSH80 = 20ga
  - GSH80A = 18ga
  - GSH80B = 16ga approx.
  - GSH80C = 11ga approx.

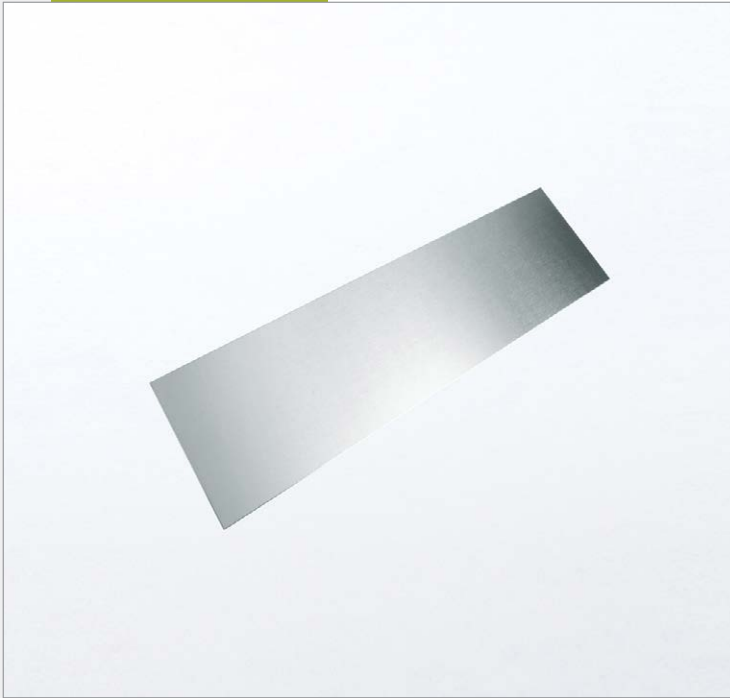
Note: Gage varies with base material.



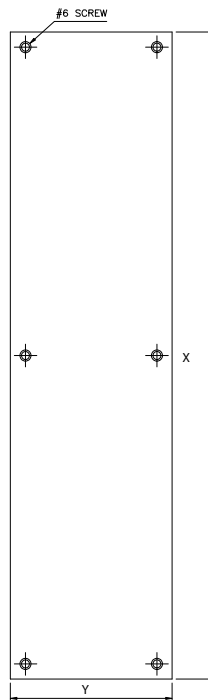
MADE TO ORDER P.O.A.



## GSH 81 PUSH PLATE



- Base Metal: Brass, Bronze, Aluminum and stainless steel (Type 304).
  - Screw Mounting with Beveled Edges Standard
  - Finishes: All Standard
  - Tape Mounting available
- GSH81 = 20ga  
GSH81A = 18ga  
GSH81B = .062ga  
GSH81C = .125ga

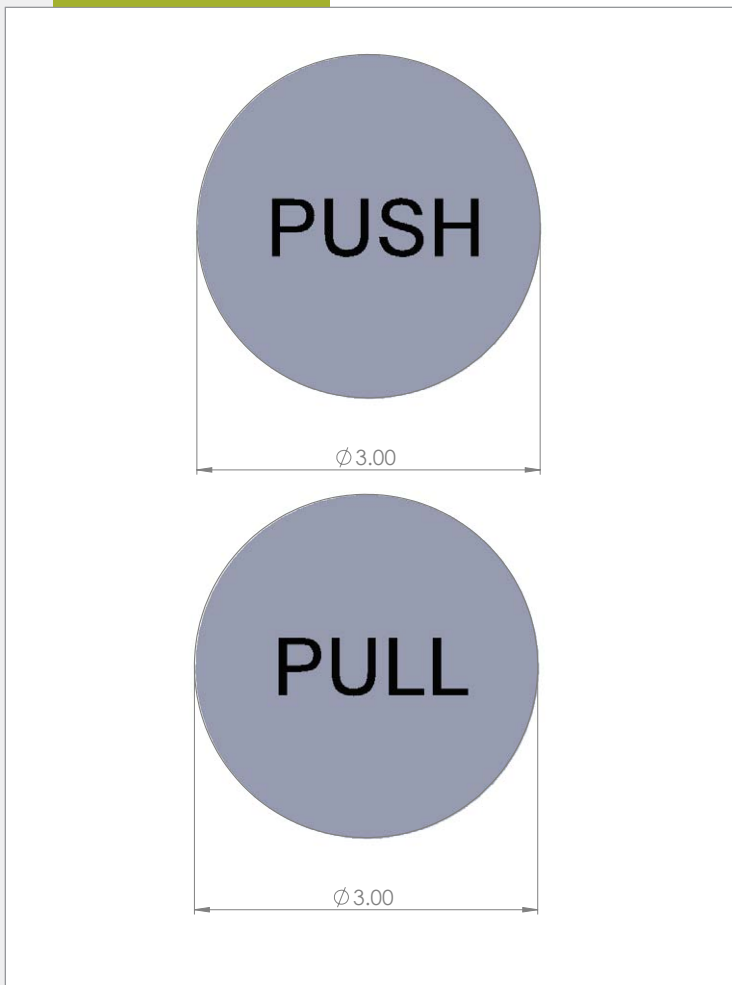


MADE TO ORDER P.O.A.



**GSH 81A - PH / GSH 81A-PL**

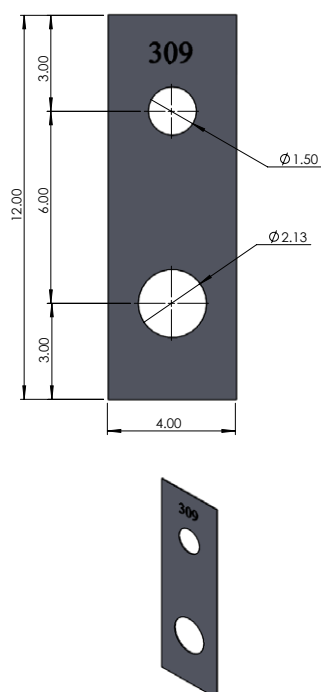
- 5/8" Lettering 3" Dia
- Tape Mounting
- 32D



## GSH 81 CUSTOM



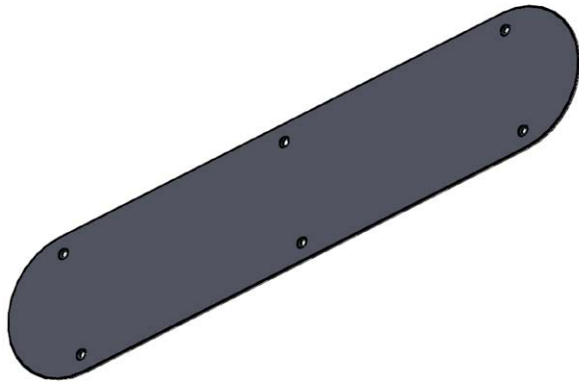
- Specify width and height
- Information regarding hole size and location required
- Logos, suite members, borders all available
- Plate over Plate available
- Retrofit old install or enhance new construction
- All ansi/BHMA finishes available



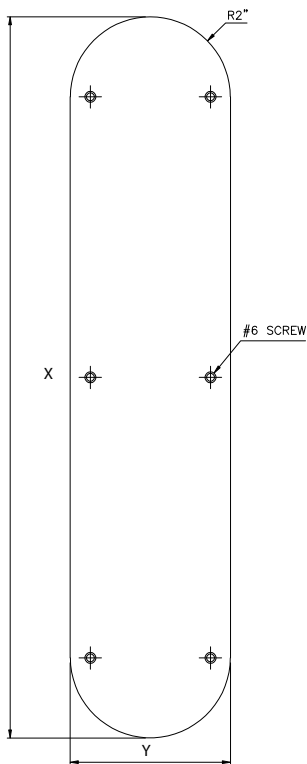
MADE TO ORDER P.O.A.



## GSH 82 PUSH PLATE



- Base Metal: Brass, Bronze, Aluminum and stainless steel (Type 304).
- Screw Mounting with Beveled Edges Standard
- Finishes: All Standard
- Tape Mounting available  
GSH80 = 20ga  
GSH80A = 18ga  
GSH80B = .062ga  
GSH80C = .125ga



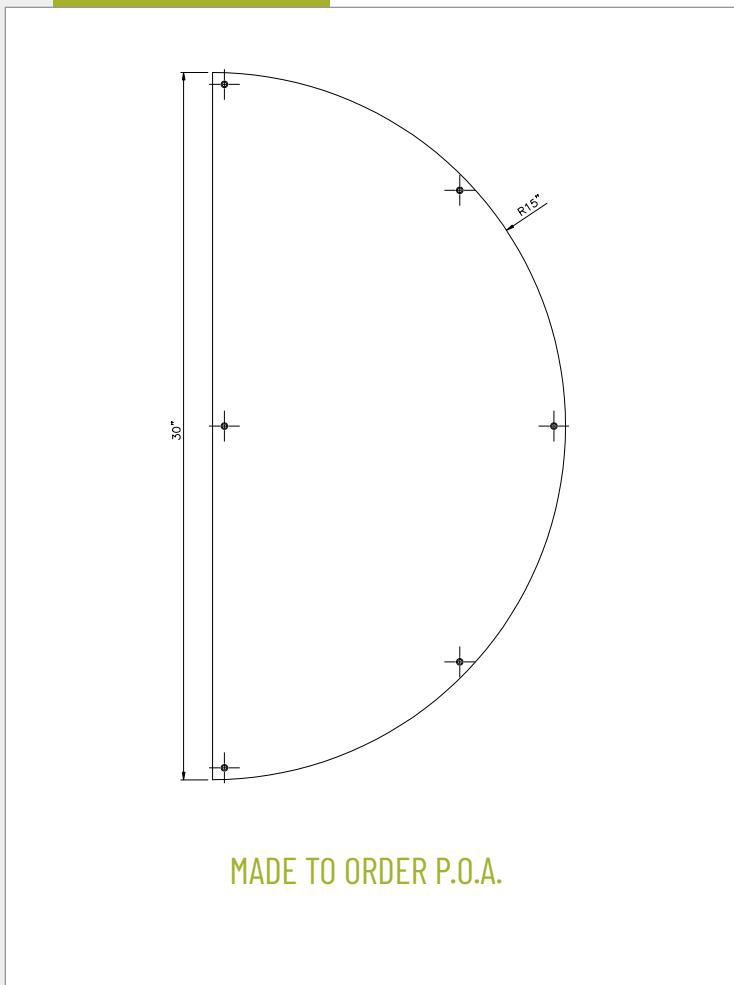
MADE TO ORDER P.O.A.



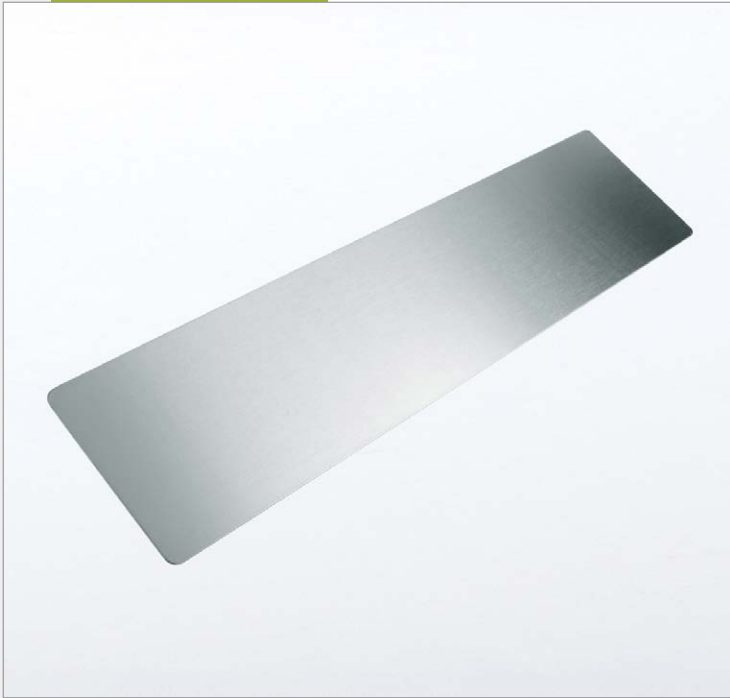
## GSH 83 1/2 ROUND PUSH PLATE



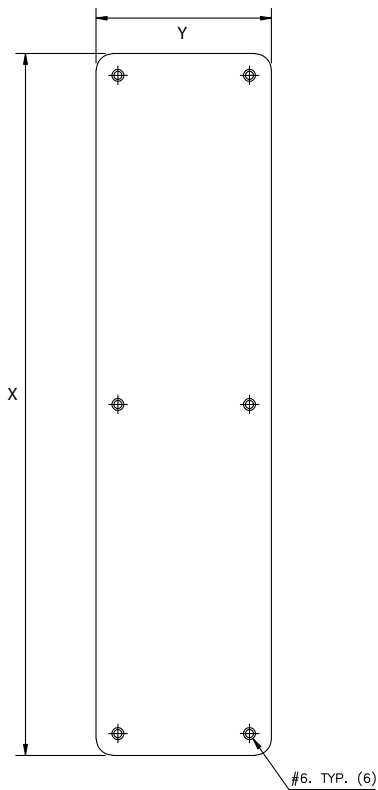
- Base Metal: Brass, Bronze, Aluminum and stainless steel (Type 304).
- Screw Mounting with Beveled Edges Standard
- Finishes: All Standard
- Tape Mounting available
  - GSH80 = 20ga
  - GSH80A = 18ga
  - GSH80B = .062ga
  - GSH80C = .125ga



## GSH 84 RADIUS CORNER PUSH PLATE



- Base Metal: Brass, Bronze, Aluminum and stainless steel (Type 304)
- Screw Mounting with Beveled Edges Standard
- Finishes: All Standard
- Tape Mounting available
  - GSH80 = 20ga
  - GSH80A = 18ga
  - GSH80B = .062ga
  - GSH80C = .125ga



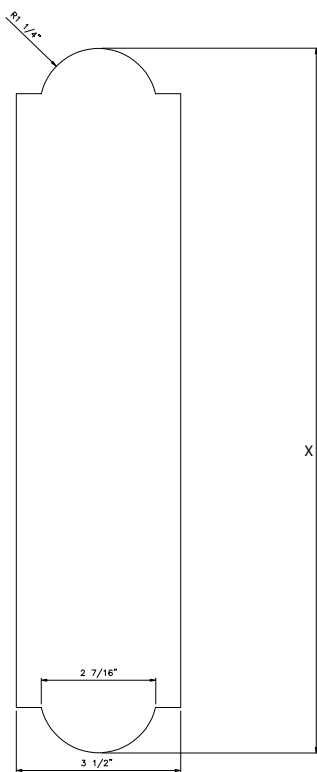
**MADE TO ORDER P.O.A.**



## GSH 85N DECORATIVE PUSH PLATE 3 1/2



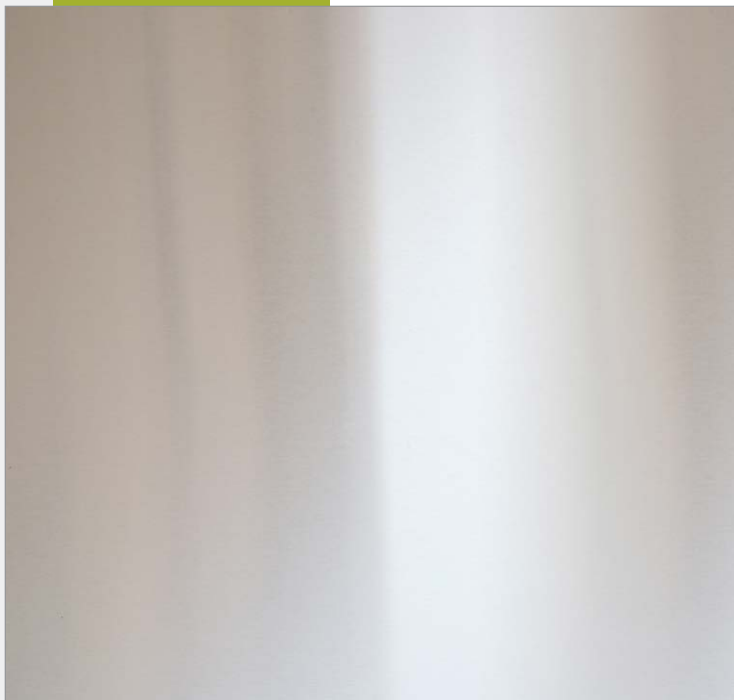
- Base Metal: Brass, Bronze, Aluminum and stainless steel (Type 304).
- Screw Mounting with Beveled Edges Standard
- Finishes: All Standard
- Tape Mounting available
  - GSH80 = 20ga
  - GSH80A = 18ga
  - GSH80B = .062ga
  - GSH80C = .125ga



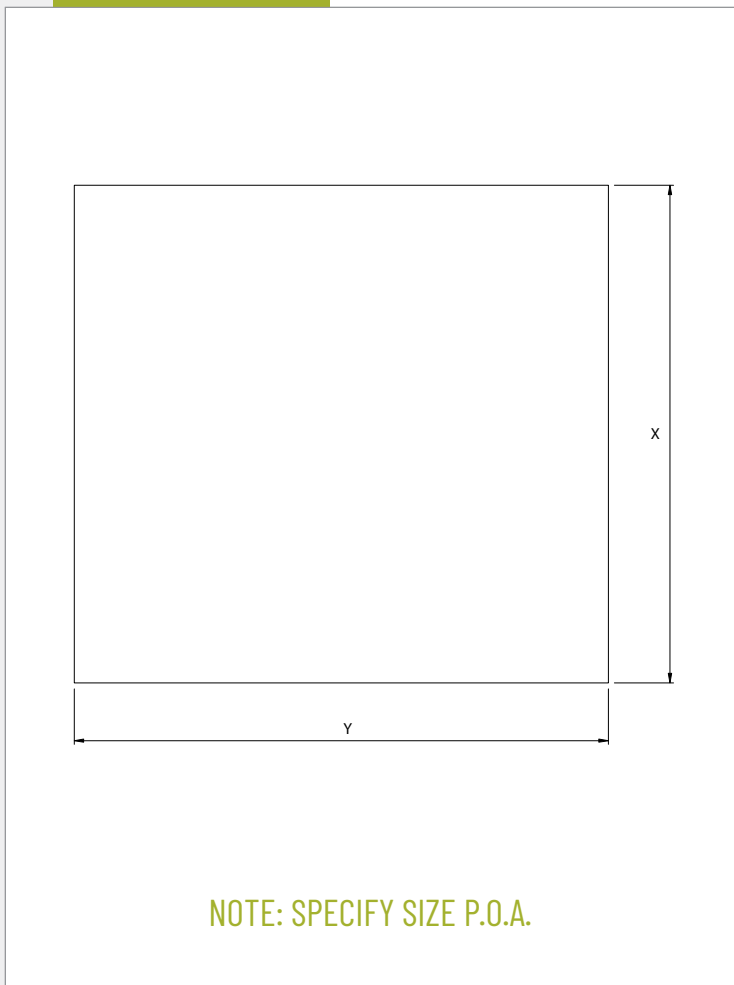
MADE TO ORDER P.O.A.



# GSH 90F ARMOR PLATES ULC RATED 20GA.



- Base Metal: Stainless steel (Type 304).
- Tape Mounting beveled edge Standard
- Finishes: 32D Only

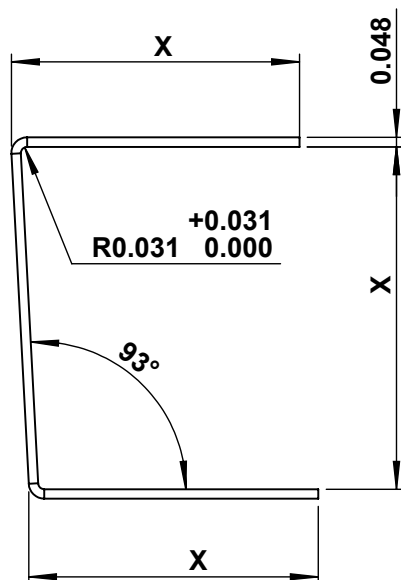


NOTE: SPECIFY SIZE P.O.A.



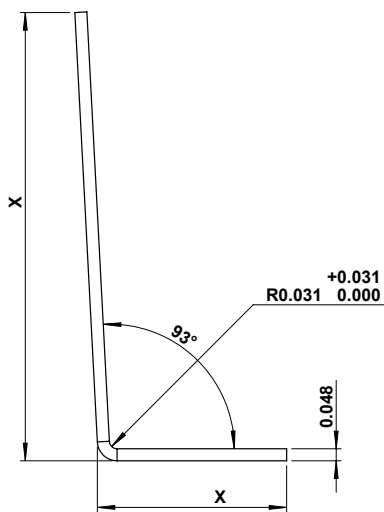
## GSH 47N EDGE GUARD 93° ULC RATED 20GA.

- Base Metal: Stainless steel (Type 304).
- Screw mounting beveled edges Standard
- Finishes: 32D Only



## GSH 48N EDGE GUARD 93° ULC RATED 20GA.

- Base Metal: Stainless steel (Type 304).
- Screw mounting beveled edges Standard
- Finishes: 32D Only

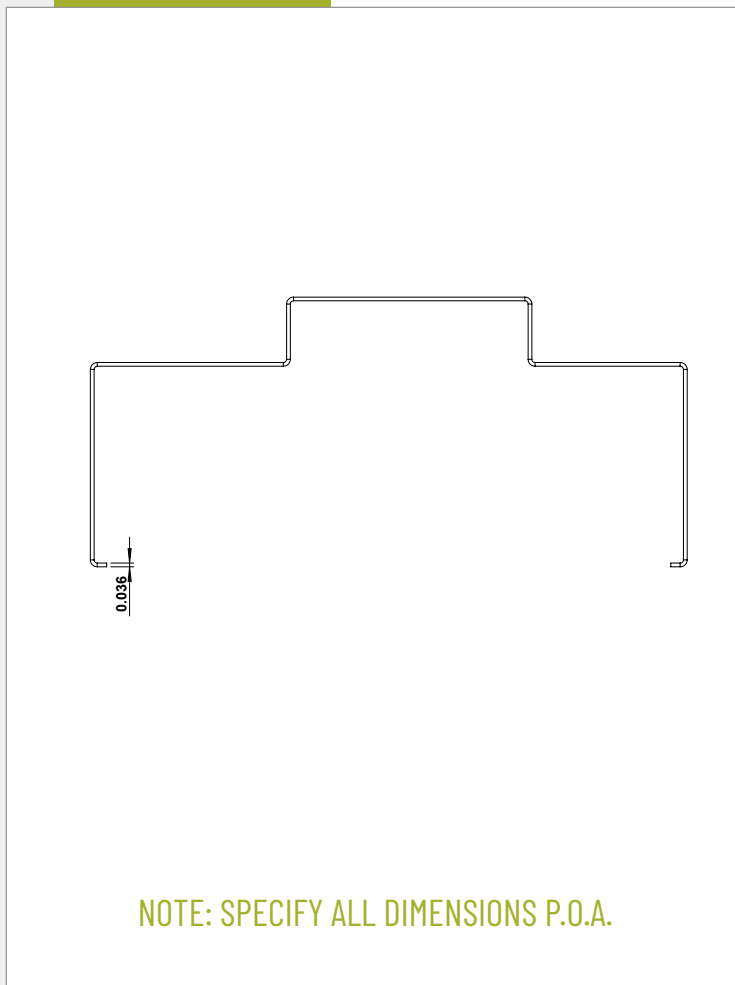


**NOTE: SPECIFY ALL DIMENSIONS P.O.A.**



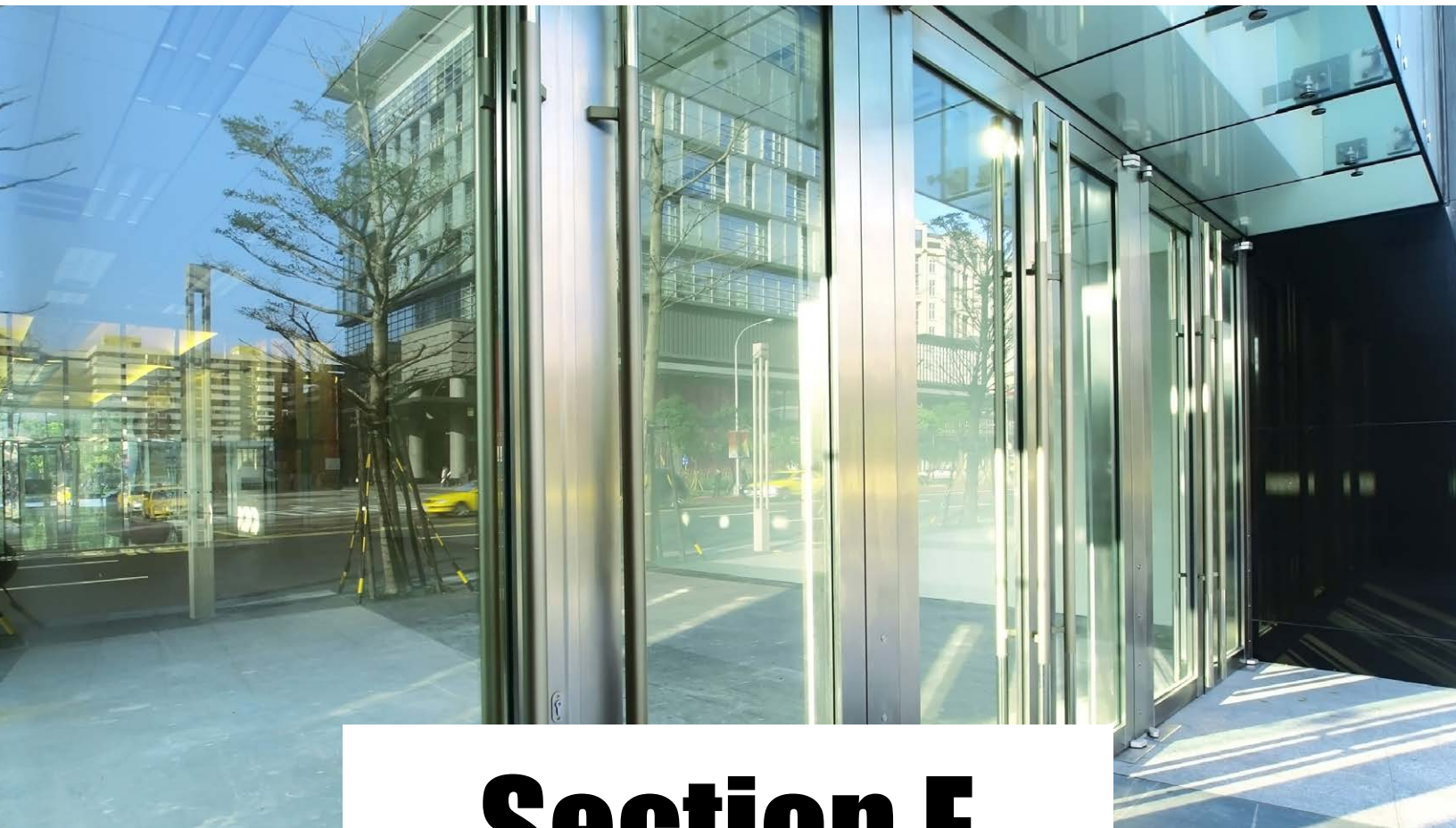
**GSH 50N FRAME WRAP ULC RATED 20GA.**

- Base Metal: Stainless steel (Type 304).
- Tape Mounting Beveled Edges Standard
- Also available in multiple pieces
- Finishes: 32D Only



**NOTE: SPECIFY ALL DIMENSIONS P.O.A.**





# Section E

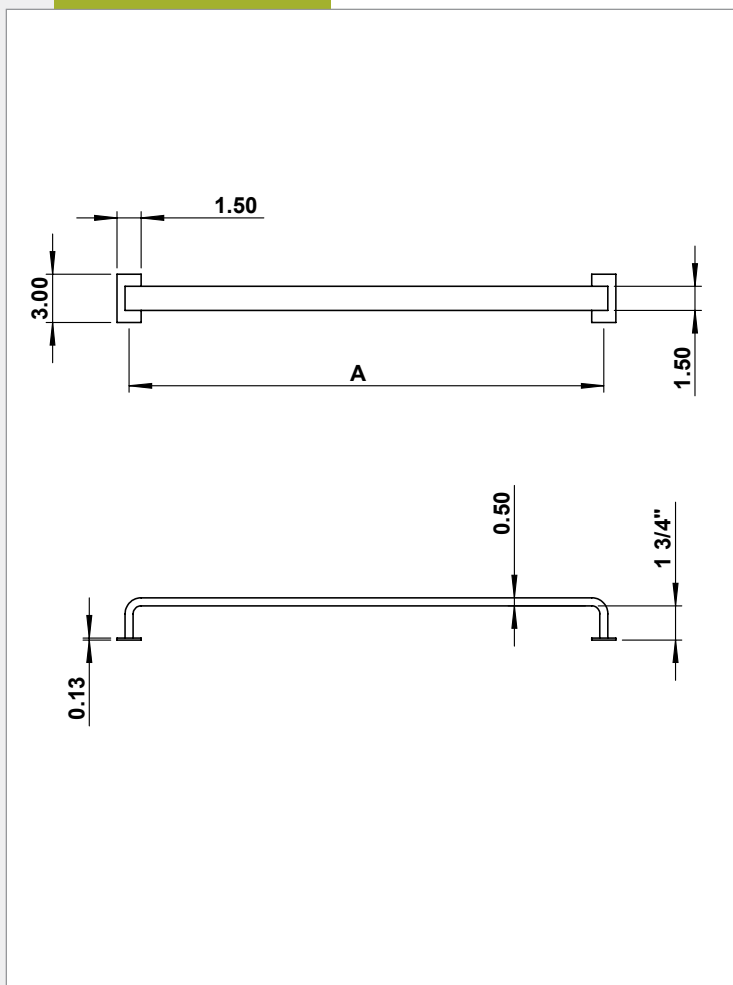
**GUARD BARS AND GUIDE RAILS**

**Gallery™**  
specialty hardware

## GSH 800 GUARD BAR 1/2" X 1-1/2" FB C/W 1-1/2" X 3" BP

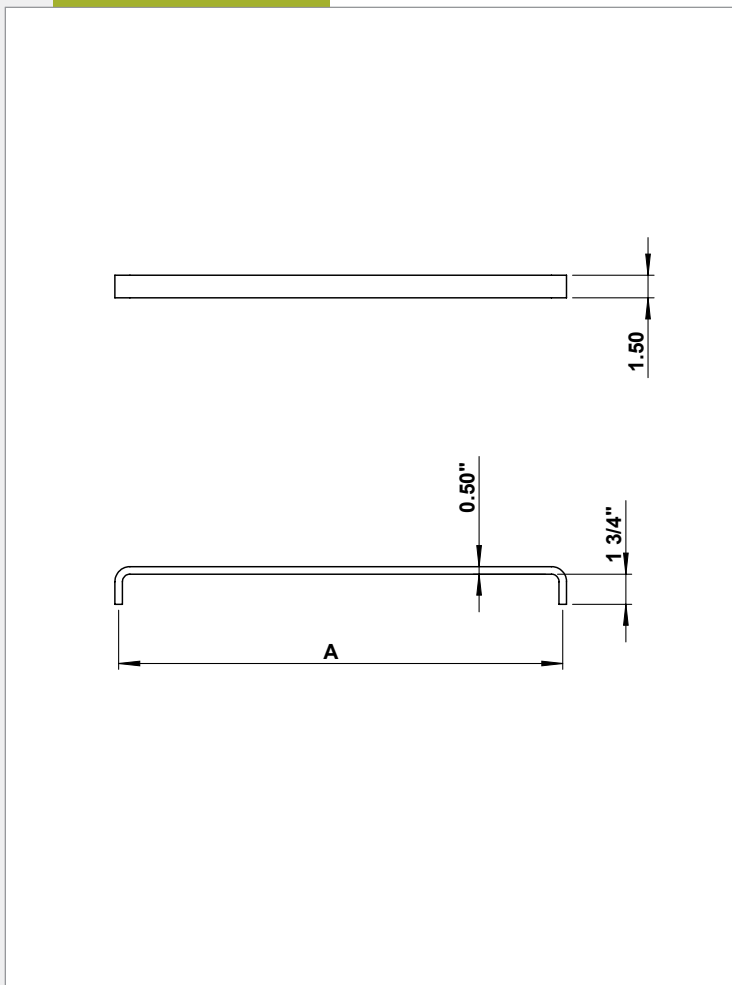


- All Aluminum or Stainless Steel Construction (Type 304)
- C28, C32D, and C32
- Specify "A" Dimension
- Through Bolt Mounting and Back to Back Available
- Note: Colour Anodized Finishes Also Available



**GSH 801X GUARD BAR 1/2" X 1-1/2" FLAT BAR**

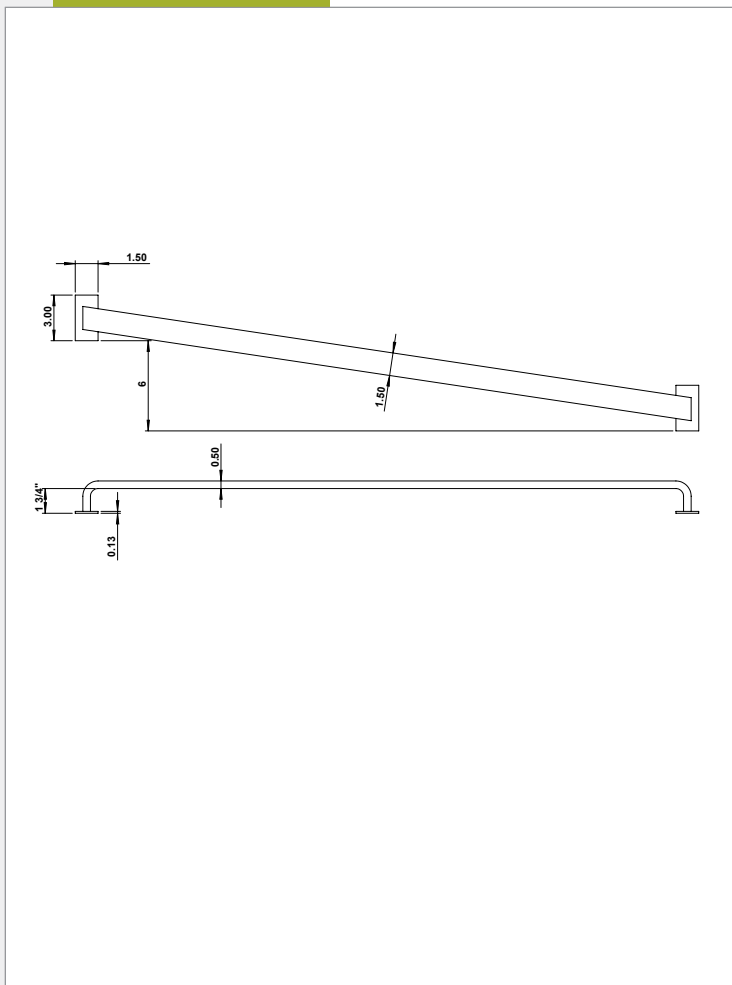
- All Aluminum or Stainless Steel Construction (Type 304)
- C28, C32D, and C32
- Specify "A" Dimension
- Through Bolt Mounting and Back to Back Available
- Note: Colour Anodized Finishes Also Available



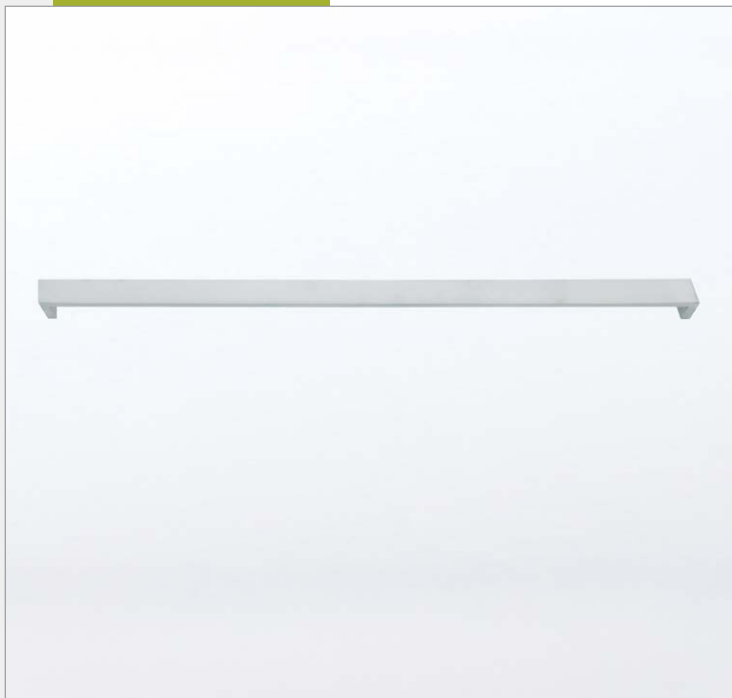
## GSH 802N GUARD BAR 1/2" X 1-1/2"



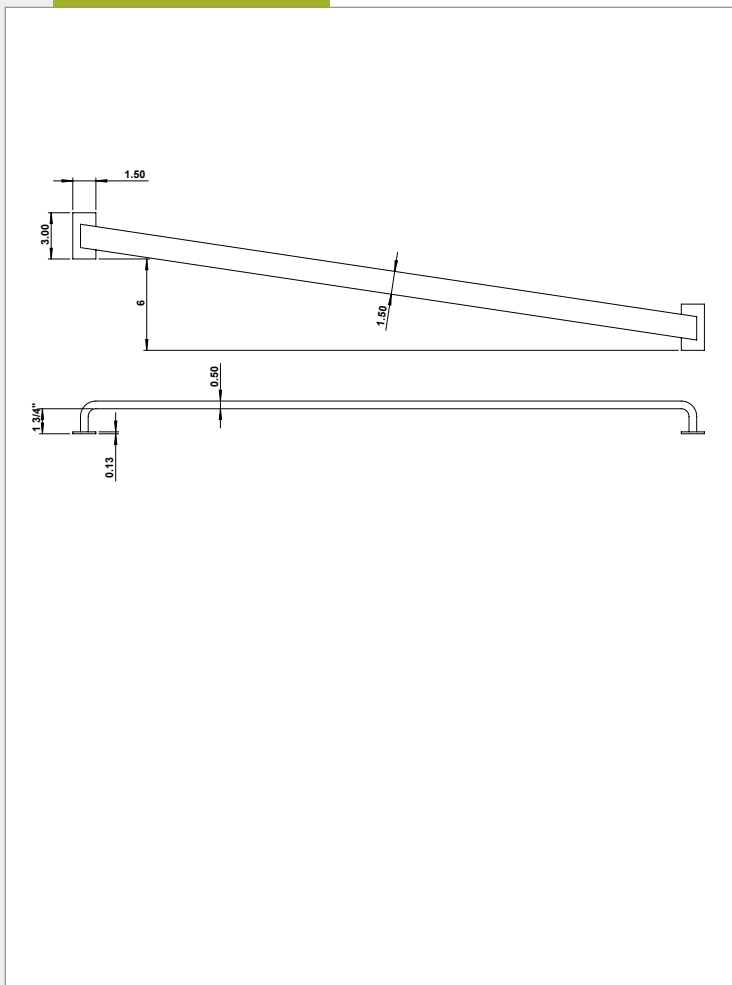
- Offset FB C/W 1-1/2" X 3" BP
- All Aluminum or Stainless Steel Construction (Type 304)
- C28, C32D, and C32
- Specify C/C Dimension
- Through Bolt Mounting and Back to Back Available
- Note: Colour Anodized Finishes Also Available



## GSH 802X GUARD BAR 1/2" X 1-1/2" FLAT BAR



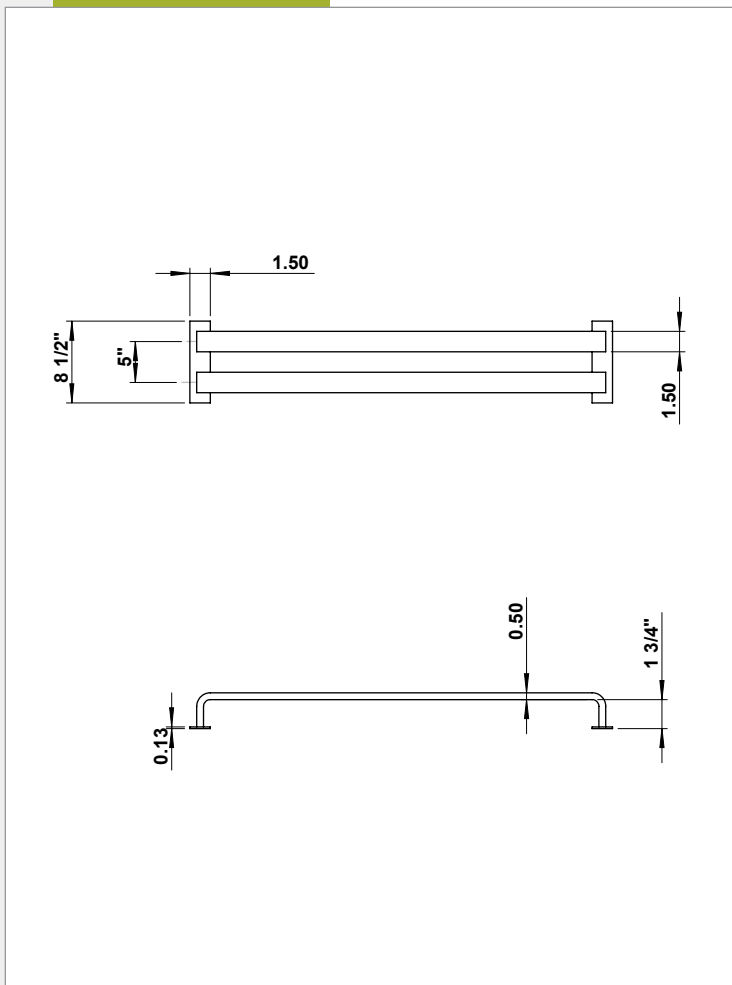
- All Aluminum or Stainless Steel (Type 304)
- C28, C32D, and C32
- Specify C/C Dimension
- Through Bolt Mounting and Back to Back Available
- Note: Colour Anodized Finishes Also Available



## GSH 803N GUARD BAR 1/2" X 1-1/2"



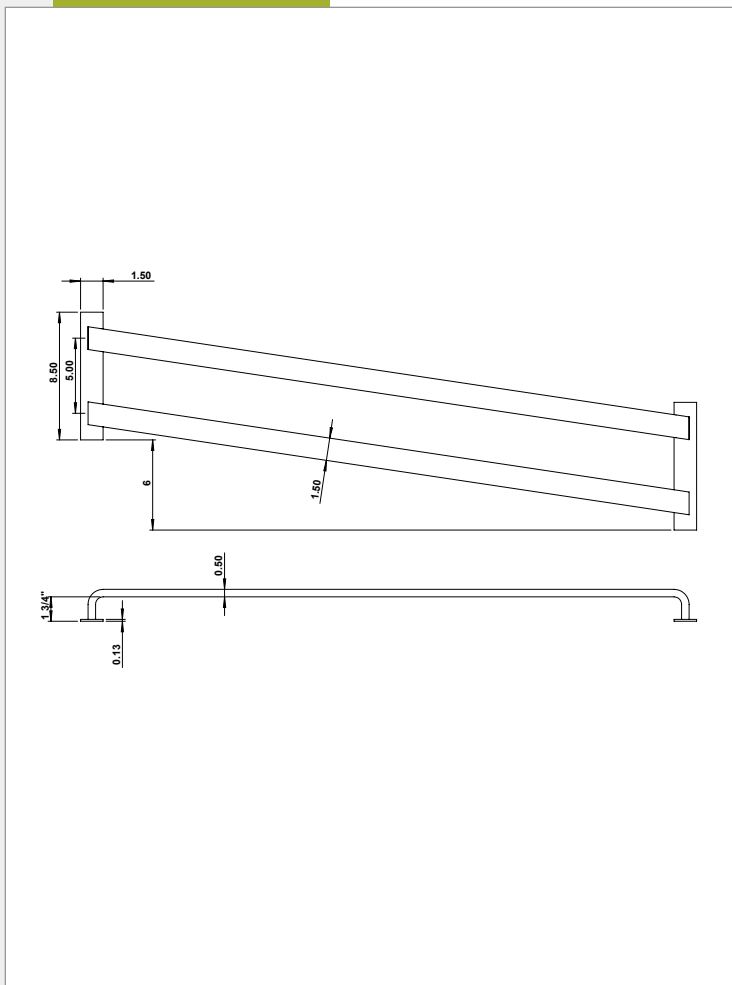
- Flat Bar C/W 1-1/2" X 8-1/2" Base Plates
- All Aluminum or Stainless Steel (Type 304)
- C28, C32D, and C32
- Specify C/C Dimension
- Through Bolt Mounting and Back to Back Available
- Note: Colour Anodized Finishes Also Available



## GSH 804N GUARD BAR 1/2" X 1-1/2"

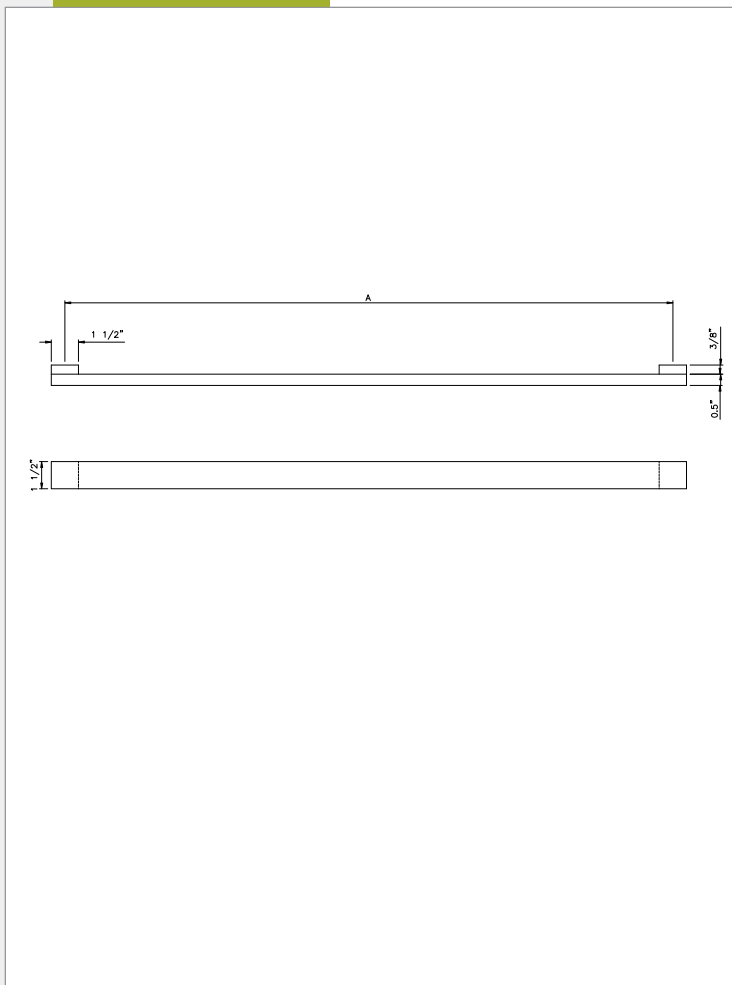


- Double Offset Flat Bar C/W 1-1/2" X 8-1/2" Base Plates
- All Aluminum or Stainless Steel (Type 304)
- C28, C32D, and C32
- Specify Size
- Through Bolt Mounting and Back to Back Available
- Note: Colour Anodized Finishes Also Available



**GSH 815 GUARD BAR 1/2" X 1-1/2" SINGLE FLAT BAR**

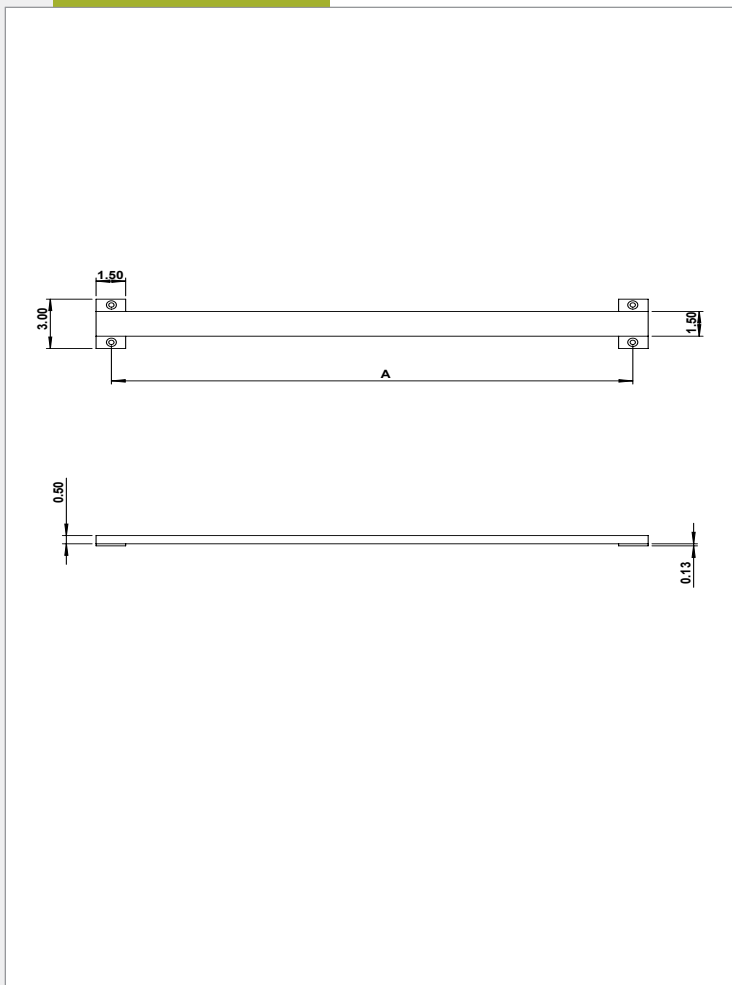
- All Aluminum or Stainless Steel (Type 304)
- C28, C32D, and C32
- Specify Size "A"
- Through Bolt Mounting



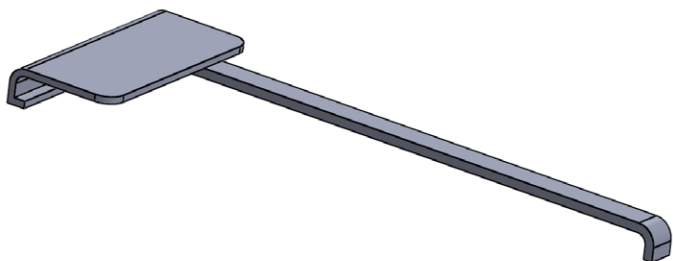
## GSH 816 GUARD BAR 1/2" X 1-1/2"



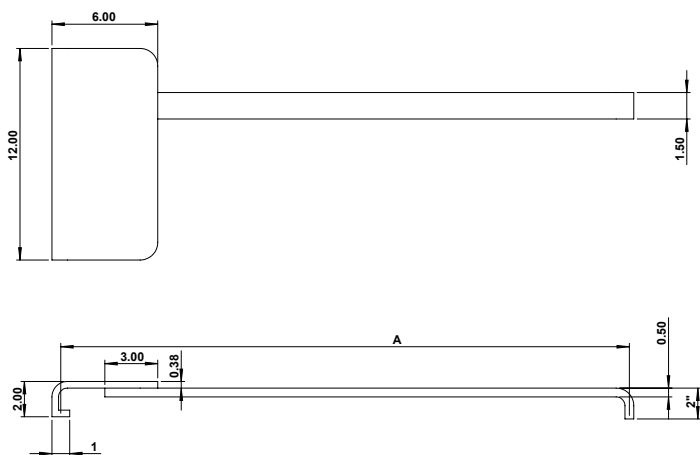
- Single Flat Bar
- C/W 1-1/2" X 3" Base Plates
- All Aluminum or Stainless Steel (Type 304)
- C28, C32D, and C32
- Specify Size "A"
- Surface Mounting



## GSH 821 GUARD BAR 1/2" X 1-1/2"



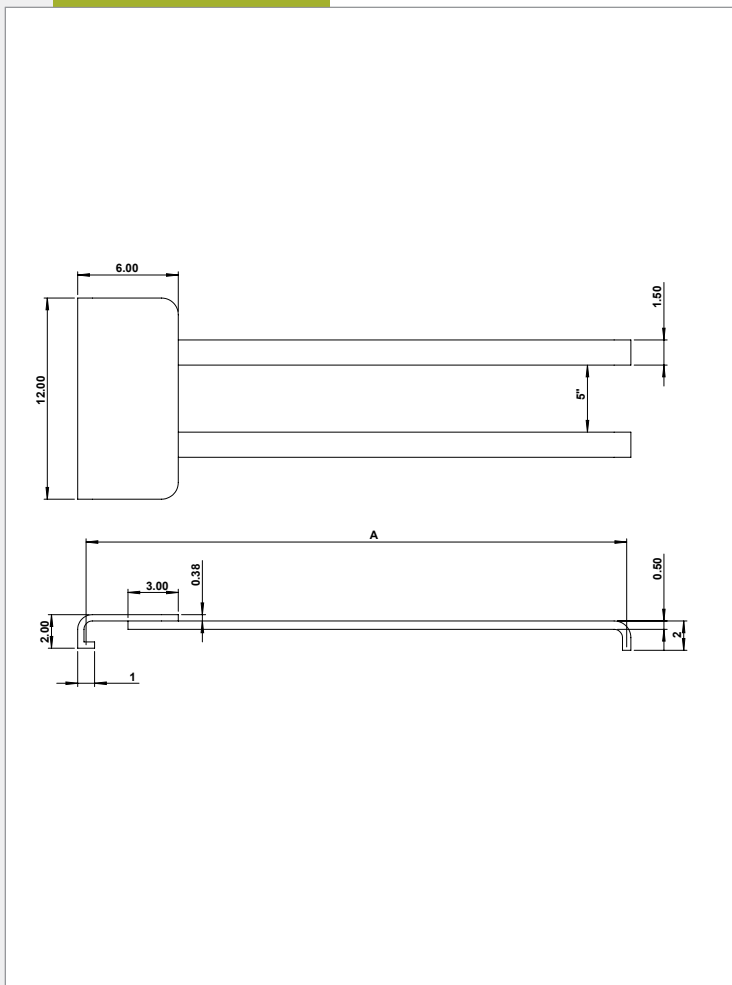
- Straight Double Bar with Push Pad
- All Aluminum or Stainless Steel (Type 304)
- C28, C32D, and C32
- Specify Size "A" and handing
- Through bolt with acorn nuts



## GSH 822 GUARD BAR 1/2" X 1-1/2"



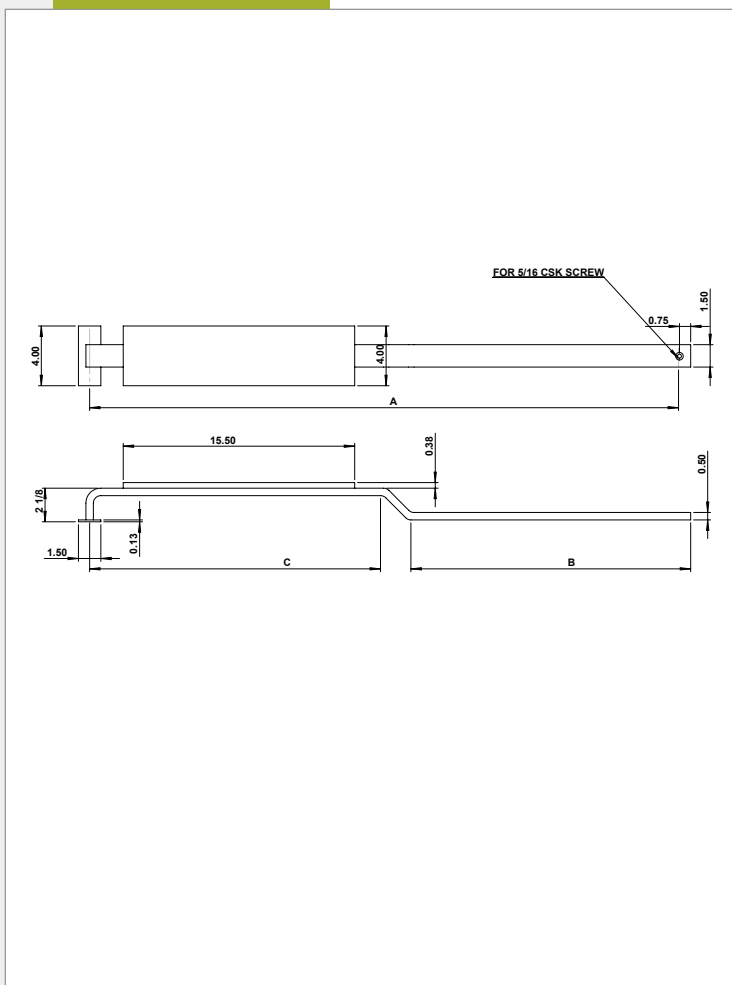
- Straight Double Bar with Push Pad
- All Aluminum or Stainless Steel (Type 304)
- C28, C32D, and C32
- Specify Size "A"
- Through bolt with acorn nuts



## GSH 837 GUARD BAR 1/2" X 1-1/2"



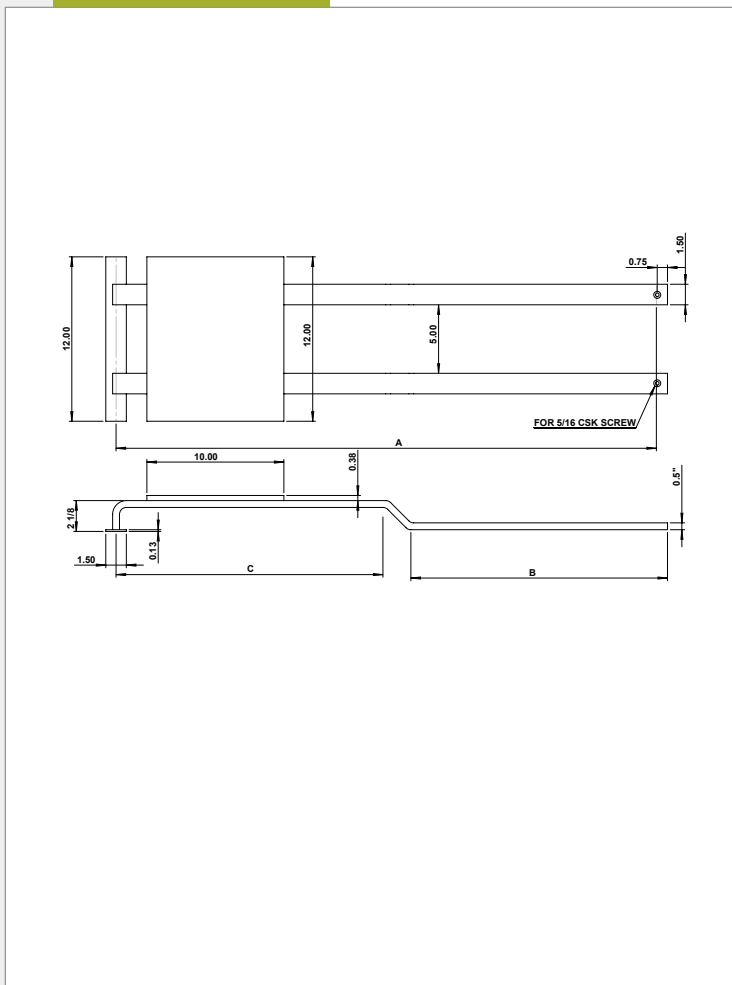
- Straight Single Bar with Push Pad and 1-1/2" - 4" Base Plate
- All Aluminum or Stainless Steel (Type 304)
- C28, C32D, and C32
- Specify Size "A", "B" and "C"
- Surface Mounting



## GSH 837D GUARD BAR 1/2" X 1-1/2"



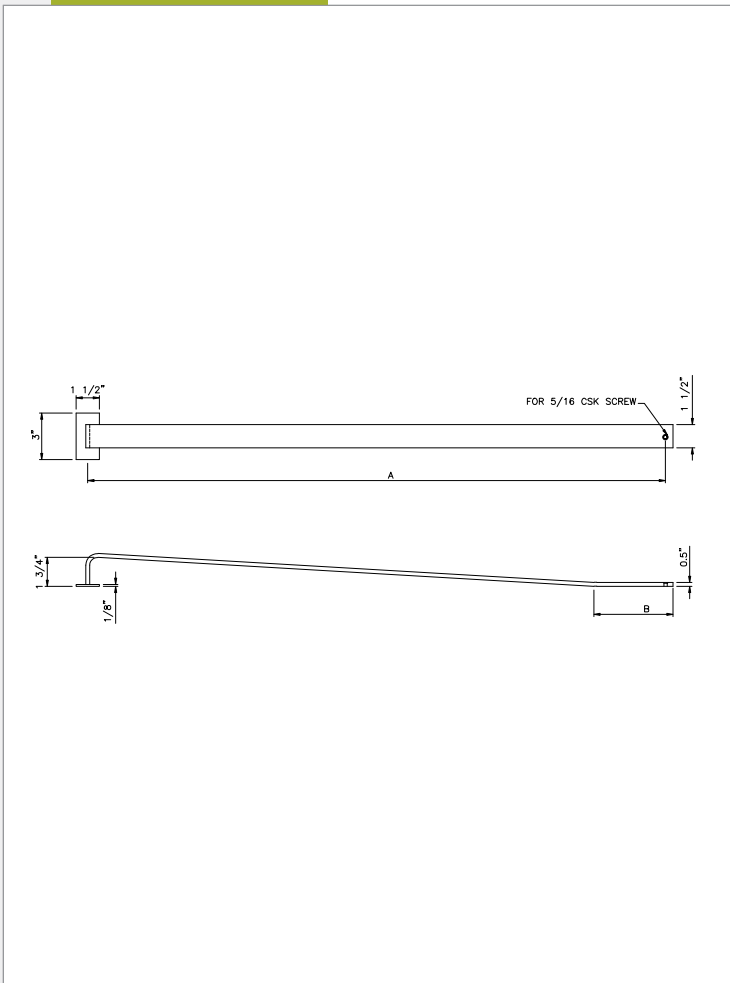
- Straight Double Bar with Push Pad and 1-1/2" - 12" Base Plate
- All Aluminum or Stainless Steel (Type 304)
- C28, C32D, and C32
- Specify "A", "B", and "C"
- Surface Mounting



## GSH 851D GUARD BAR 1/2" X 1-1/2"



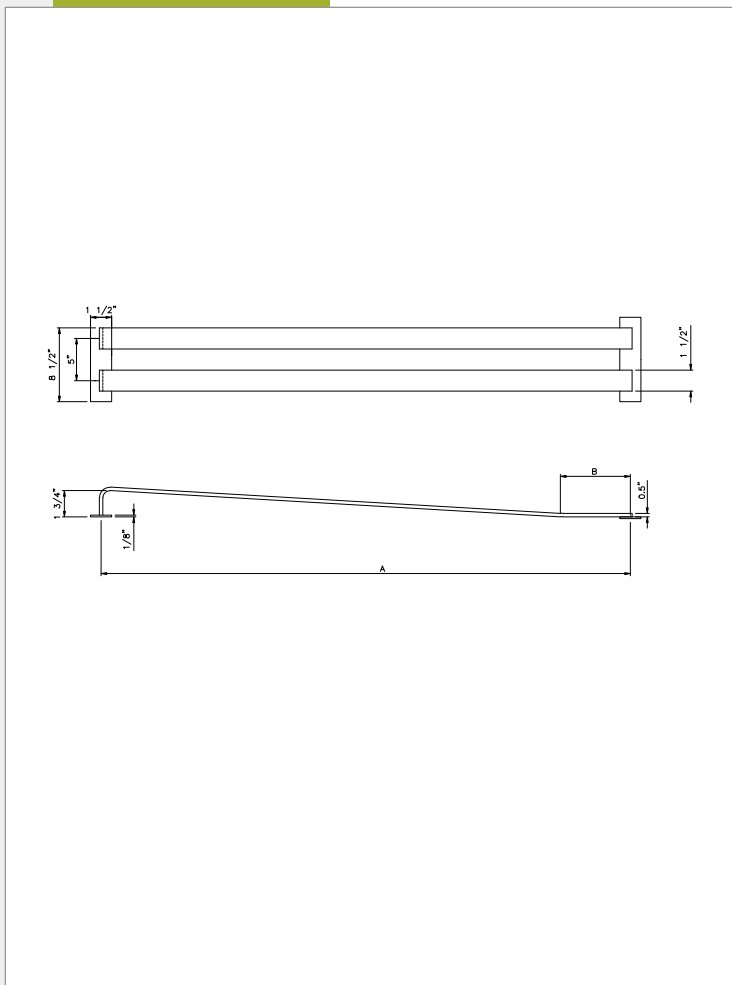
- Single Bar C/W 1-1/2" X 3" Base Plates
- All Aluminum or Stainless Steel (Type 304)
- C28, C32D, and C32
- Specify "A", and "B"
- Surface Mounting



## GSH 851D GUARD BAR 1/2" X 1-1/2"

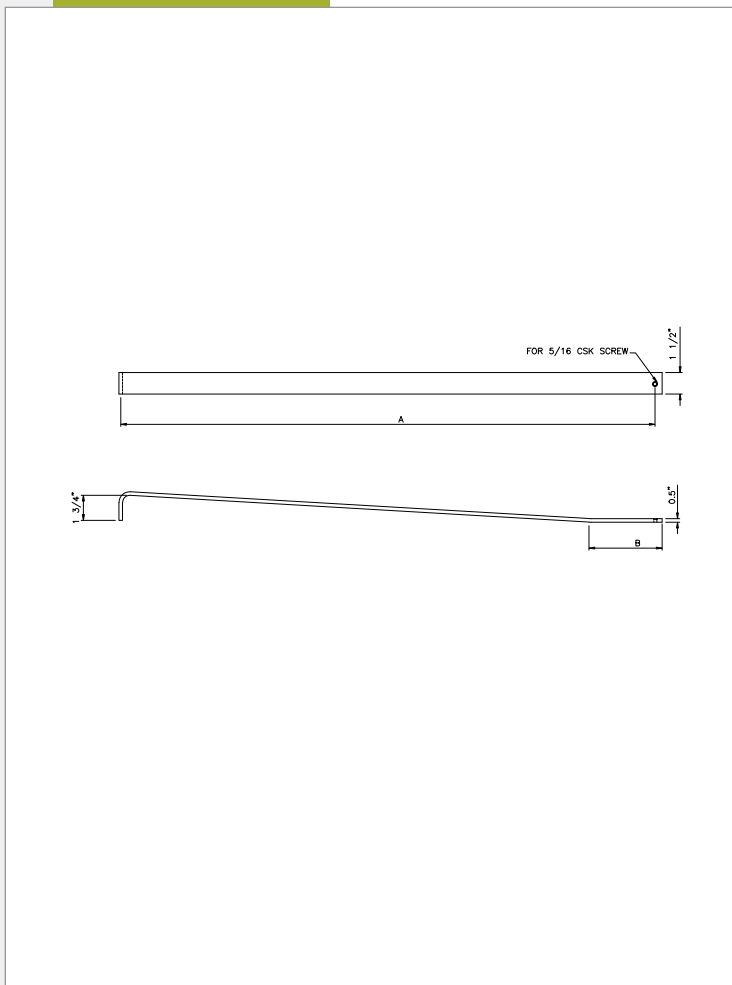


- Double Bar C/W 1-1/2" X 8-1/2" Base Plate
- All Aluminum or Stainless Steel (Type 304)
- C28, C32D, and C32
- Specify "A", and "B"
- Surface Mounting



**GSH 852X GUARD BAR 1/2" X 1-1/2" SINGLE BAR**

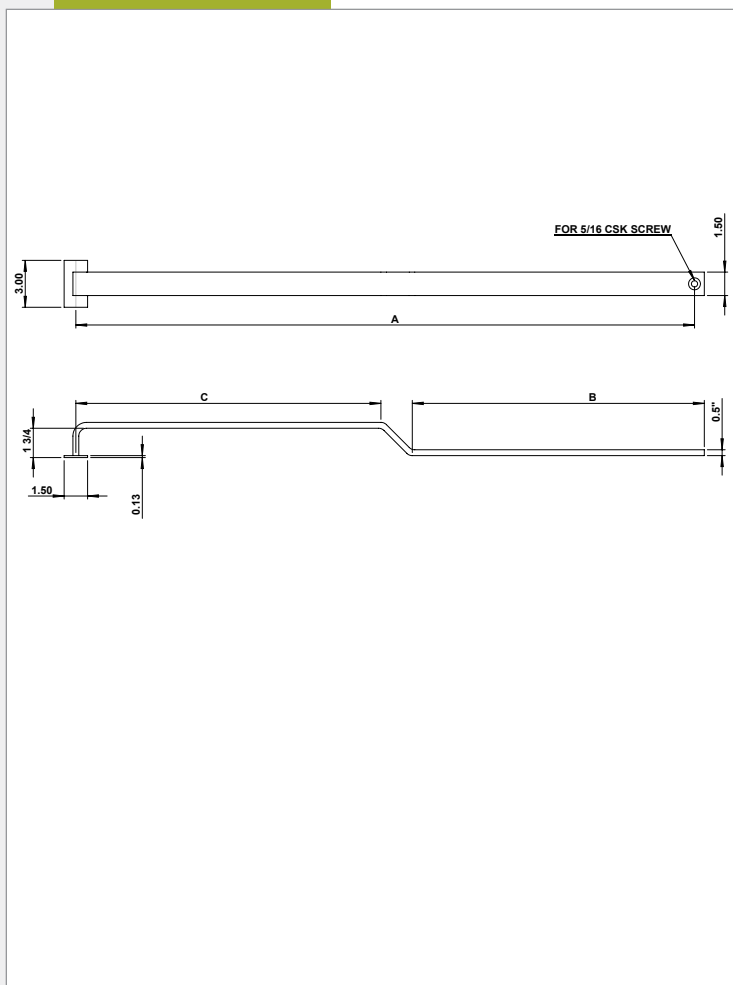
- All Aluminum or Stainless Steel (Type 304)
- C28, C32D, and C32
- Specify "A", and "B"
- Surface Mounting X T.B. Mounting



## GSH 855 BUMPER BAR 1/2" X 1-1/2"

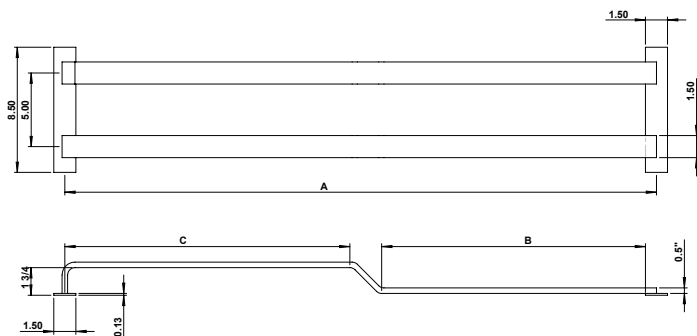


- Single Bar
- C/W 1-1/2" X 3" Base Plate
- All Aluminum or Stainless Steel (Type 304)
- C28, C32D, and C32
- Specify Size "A", "B" and "C"
- Surface Mounting X T.B. Mounting



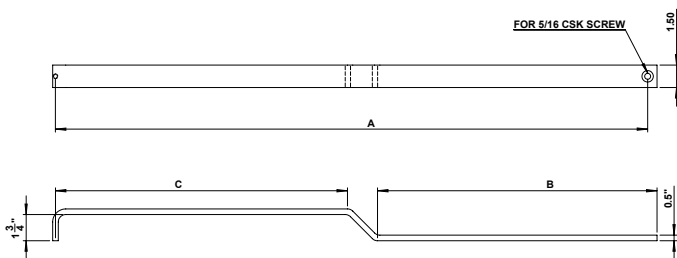
## GSH 855D GUARD BAR 1/2" X 1-1/2"

- Double Bar
- C/W 1-1/2" X 8 1/2" Base Plate
- All Aluminum or Stainless Steel (Type 304)
- C28, C32D, and C32
- Specify Size "A", "B" and "C"
- Surface Mounting



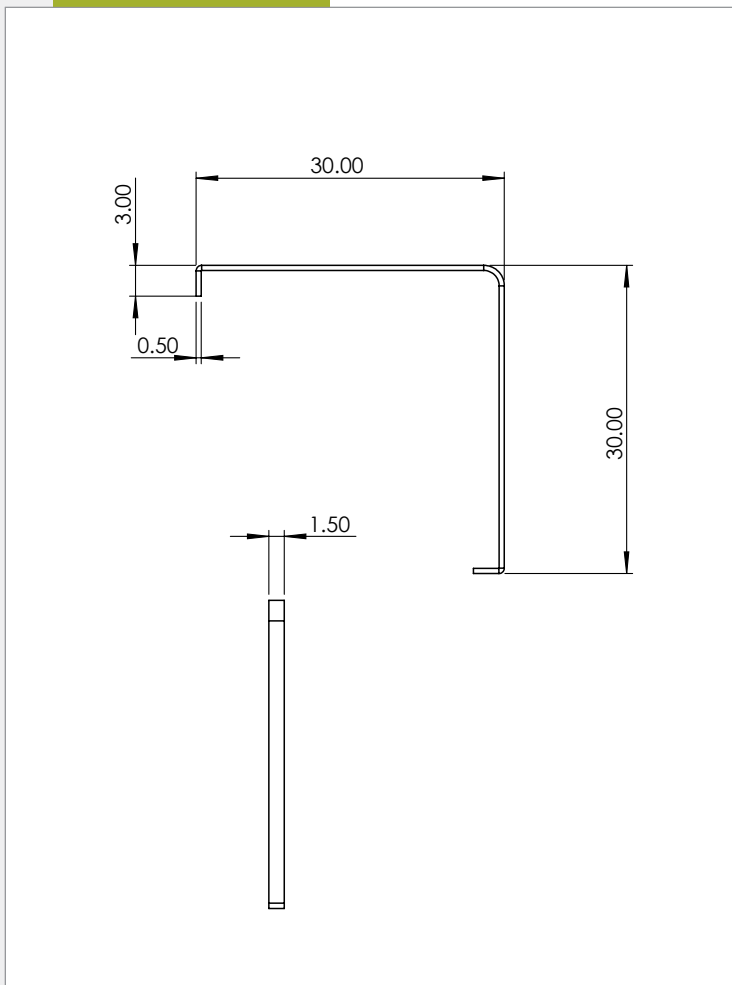
## GSH 856X GUARD BAR 1/2" X 1-1/2" SINGLE BAR

- All Aluminum or Stainless Steel (Type 304)
- C28, C32D, and C32
- Specify Size "A", "B" and "C"
- Surface Mounting X TB Mounting



**GSH FGR-601 GUIDE RAILS**

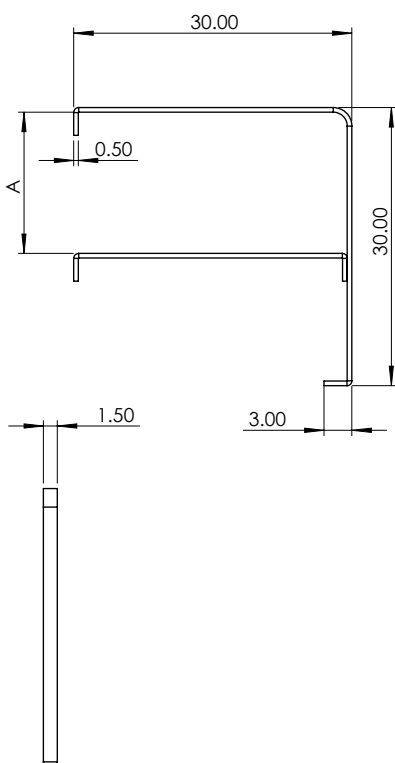
- 1/2" X 1 1/2"
- 32D (Type 304)



## GSH FGR-602 GUIDE RAILS

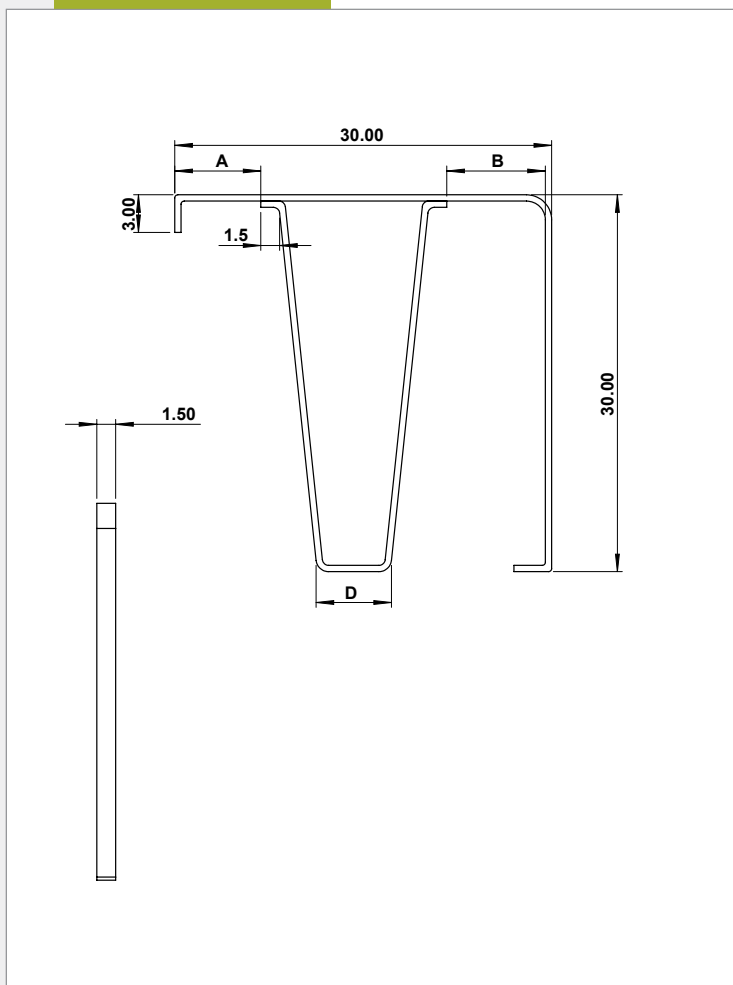


- 1/2" X 1 1/2"
- 32D (Type 304)



**GSH FGR-603 GUIDE RAILS**

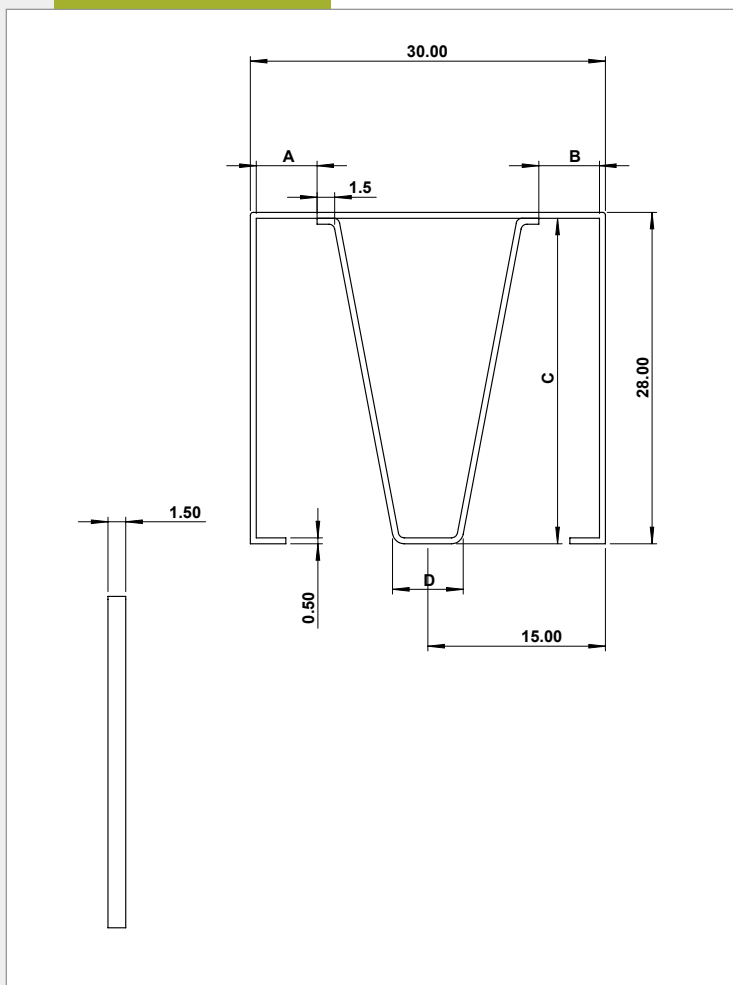
- 1/2" X 1 1/2"
- 32D (Type 304)



## GSH FGR-604 GUIDE RAILS



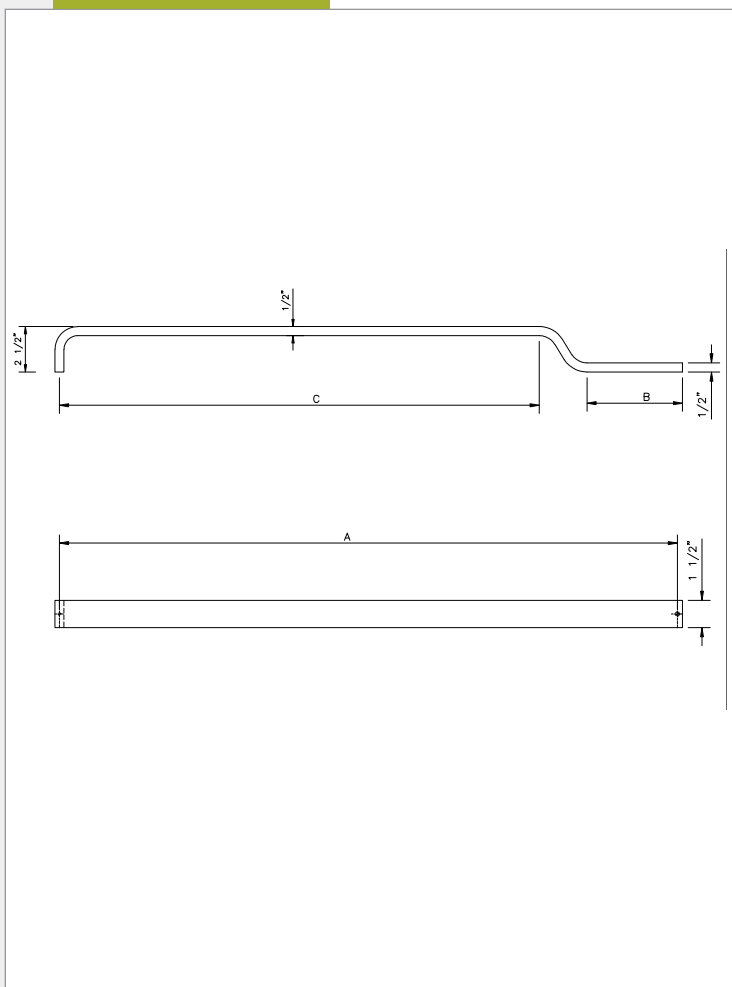
- 1/2" X 1 1/2"
- 32D (Type 304)



## GSH FBB-651 BUGGY BUMPER



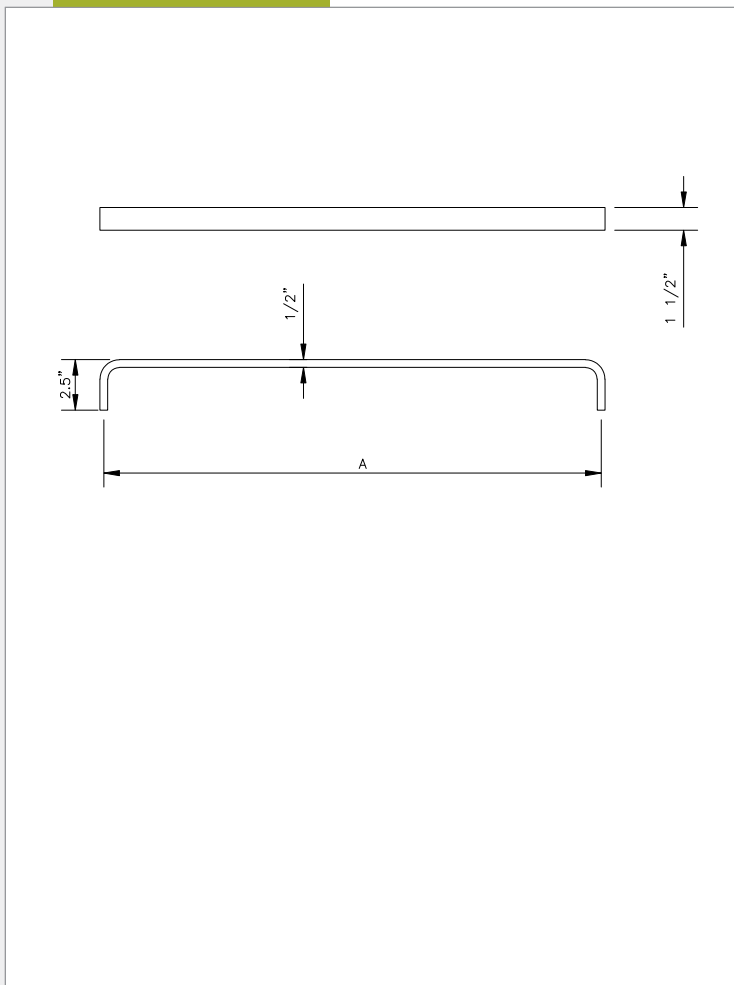
- Material:  
Aluminum Bar  
1/2" X 1 - 1/2" - 1/2 X 2"  
Stainless Bar  
1/2" X 1 - 1/2" - 1/2 X 2"
- Specify: A, B and C
- Finishes C28, C32D and C32



## GSH FBB-652 BUGGY BUMPER

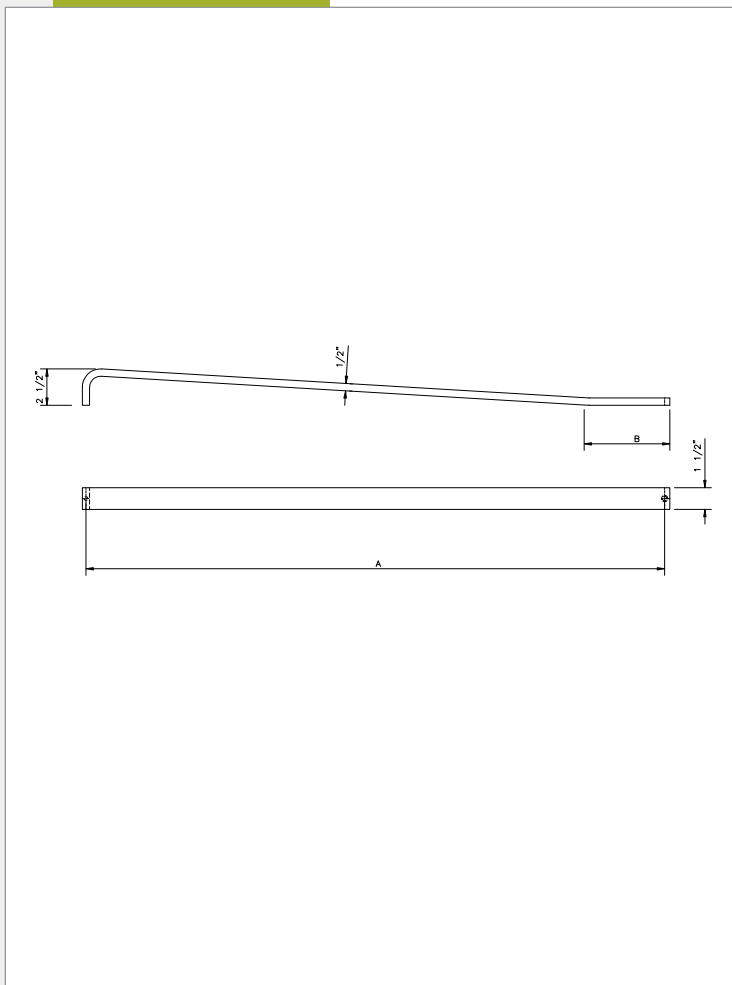


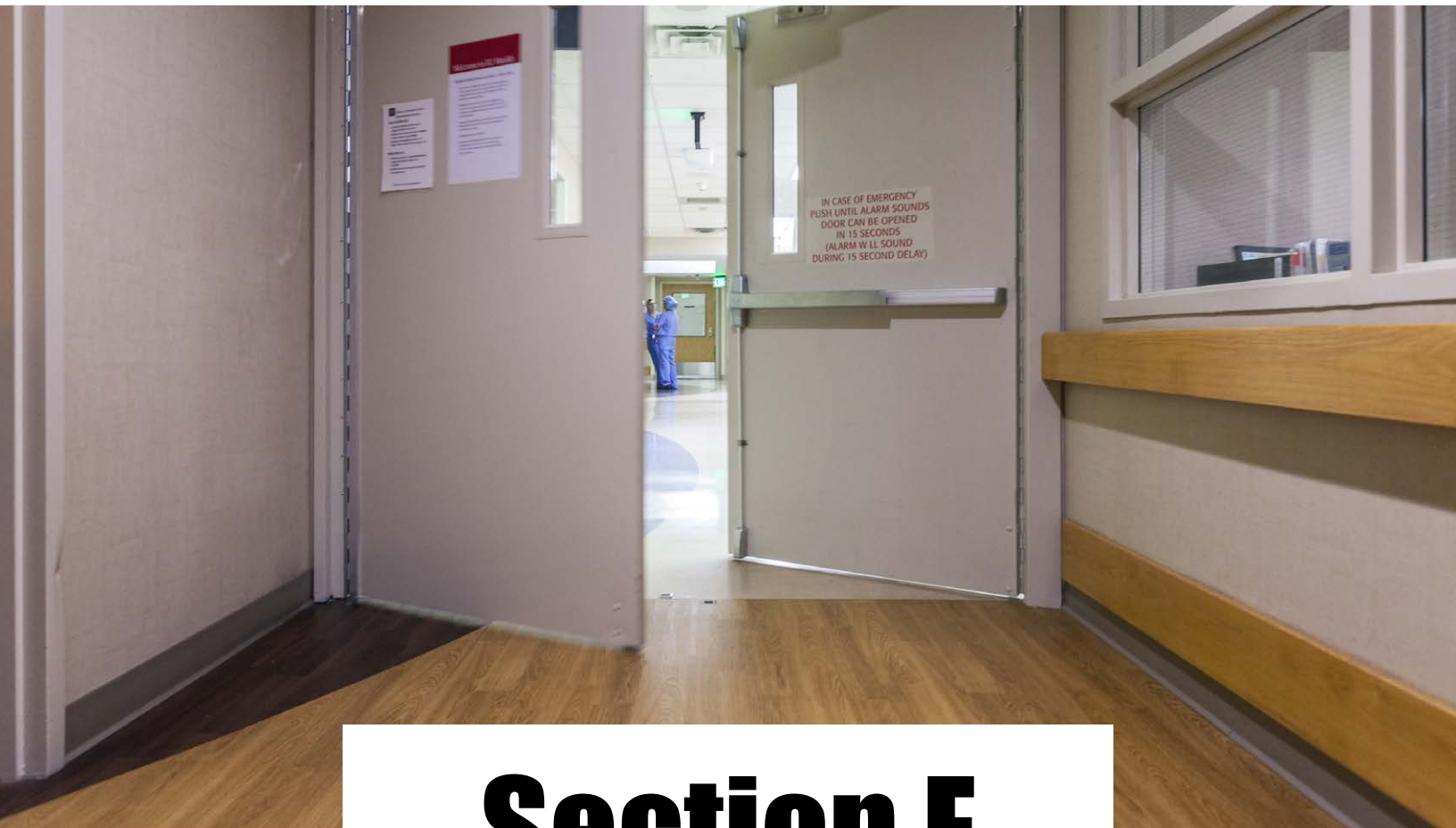
- Material:  
Aluminum Bar  
1/2" X 1 - 1/2" - 1/2 X 2"  
Stainless Bar  
1/2" X 1 - 1/2" - 1/2 X 2"
- Specify "A"
- Finishes C28, C32D and C32





- Material:  
Aluminum Bar  
1/2" X 1 - 1/2" - 1/2 X 2"  
Stainless Bar  
1/2" X 1 - 1/2" - 1/2 X 2"
- Specify: A & B
- Finishes C28, C32D and C32





# Section F

CONTINUOUS HINGES

**Gallery**<sup>™</sup>  
specialty hardware

# CH931



## BASE MATERIAL

- Aluminum Alloy

## HINGE MOUNTING TYPE

- Full Mortise Continuous Pin and Barrel

## FEATURES

- Handing: Non-Handed
- Inset 1/8"
- Maximum Door Width: 48"
- Standard Lengths 6'8" to 7'2", 8' and 10'
- Bevel or Square Edge Door
- Standard Mounting Hardware
- #10 x 1/2" Self Drilling and Tapping Screws
- #10 x 1" Wood Screws

## FINISHES

- BHMA 628 / C28

## CERTIFICATION

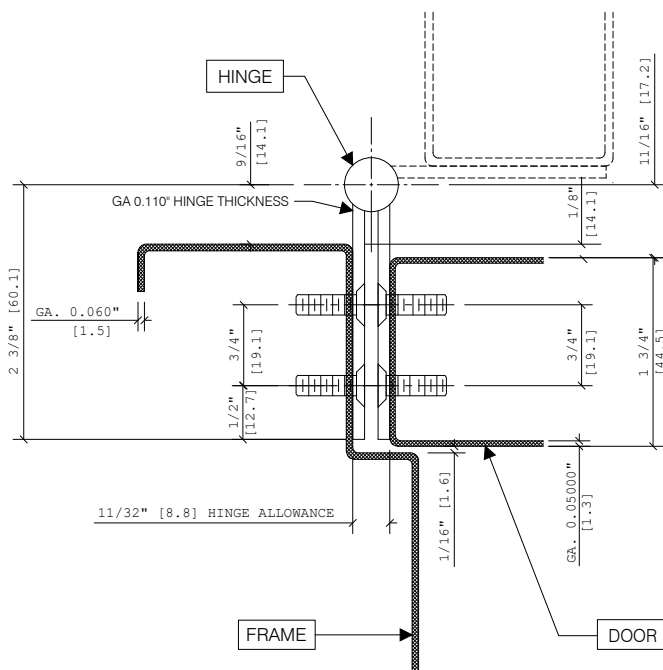
- Conforms to BHMA A156.26 Grade 1 tested on 150lbs door for 2,500,000 cycles

## OPTIONS

- Custom lengths & other modification available - Please contact factory

## NOTE

- The hinges may be used for doors weighing up to 600 lbs with lower frequency of use



## CH941 FULL MORTISE



### BASE MATERIAL:

- 14 Gauge Type Cold Rolled Steel

### HINGE MOUNTING TYPE:

- Full Mortise Continuous Pin and Barrel

### FEATURES:

- Handing: Non-Handed
- Inset 1/8"
- Maximum Door Width: 48"
- Standard Lengths 6'8" to 7'2", 8' and 10'
- Bevel or Square Edge Door
- Standard Mounting Hardware
- #10 x 1/2" Self Drilling and Tapping Screws
- #10 x 1" Wood Screws

### FINISHES:

- BHMA 600 / Primed for painting

### CERTIFICATION:

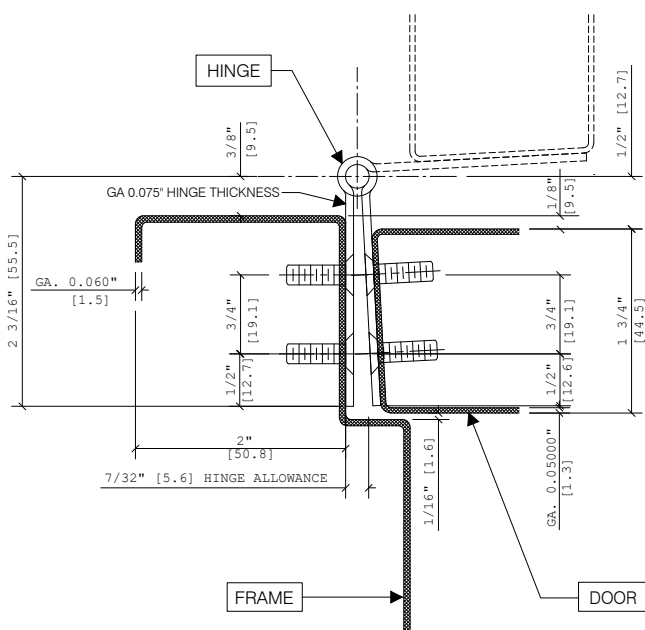
- UL10C Listed - Positive Pressure Fire Test of Door Assemblies for Maximum Hourly Rating up-to & including 3 hr.
- CAN/ULC-S104 Listed - Standard Method for Fire Tests of Door Assemblies
- Conforms to BHMA A156.26 Grade 1 tested on 150lbs door for 2,500,000 cycles

### OPTIONS:

- Custom lengths, electrical & other modification available - Please contact factory

### NOTE:

- The hinges may be used for doors weighing up-to 600 lbs with lower frequency of use



## CH944 HALF MORTISE



### BASE MATERIAL:

- 14 Gauge Type Cold Rolled Steel

### HINGE MOUNTING TYPE:

- Half Mortise Continuous Pin and Barrel

### FEATURES:

- Handing: Non-Handed
- Maximum Door Width: 48"
- Standard Lengths 6'8" to 7'2", 8' and 10'
- Bevel or Square Edge Door
- Brushed Aluminum leaf cover
- Standard Mounting Hardware
- #10 x 1/2" Self Drilling and Tapping Screws
- #10 x 1" Wood Screws

### FINISHES:

- BHMA 600 / Primed for painting

### CERTIFICATION:

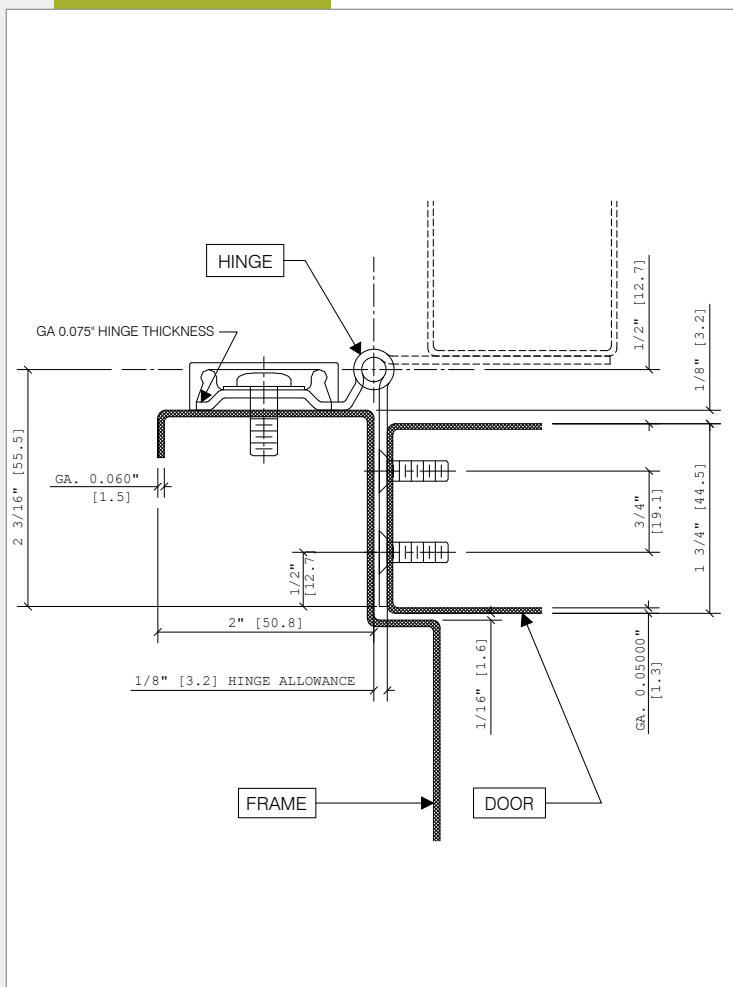
- UL10C Listed - Positive Pressure Fire Test of Door Assemblies for Maximum Hourly Rating up-to & including 3 hr.
- CAN/ULC-S104 Listed - Standard Method for Fire Tests of Door Assemblies
- Conforms to BHMA A156.26 Grade 1 tested on 150lbs door for 2,500,000 cycles

### OPTIONS:

- Custom lengths, electrical & other modification available - Please contact factory

### NOTE:

- The hinges may be used for doors weighing up-to 600 lbs with lower frequency of use



## CH945 HALF MORTISE C/W GUARD



### BASE MATERIAL:

- 14 Gauge Type Cold Rolled Steel

### HINGE MOUNTING TYPE:

- Half Mortise Continuous Pin and Barrel C/W Guard

### FEATURES:

- Handing: Non-Handed
- Maximum Door Width: 48"
- Standard Lengths 6'8" to 7'2", 8' and 10'
- Bevel or Square Edge Door
- Brushed Aluminum leaf cover
- Standard Mounting Hardware
- #10 x 1/2" Self Drilling and Tapping Screws
- #10 x 1" Wood Screws

### FINISHES:

- BHMA 600 / Primed for painting

### CERTIFICATION:

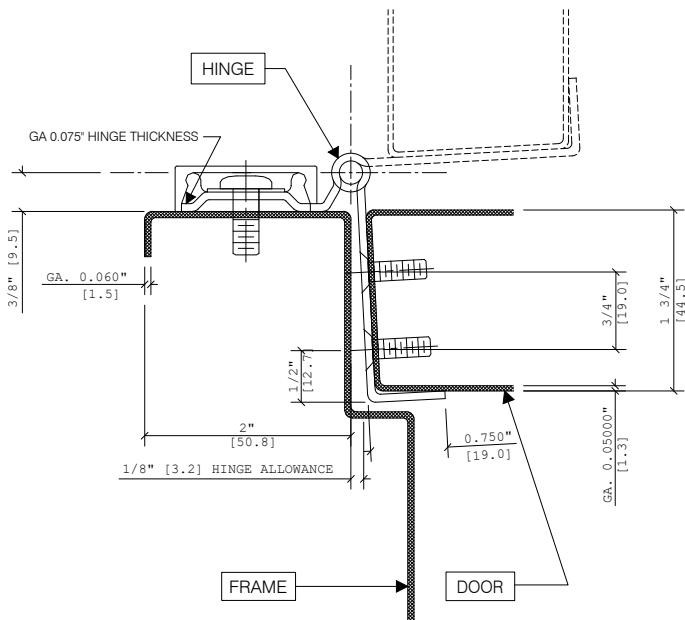
- UL10C Listed - Positive Pressure Fire Test of Door Assemblies for Maximum Hourly Rating up-to & including 3 hr.
- CAN/ULC-S104 Listed - Standard Method for Fire Tests of Door Assemblies
- Conforms to BHMA A156.26 Grade 1 tested on 150lbs door for 2,500,000 cycles

### OPTIONS:

- Custom lengths, electrical & other modification available - Please contact factory

### NOTE:

- The hinges may be used for doors weighing up-to 600 lbs with lower frequency of use



## CH946 SWING CLEAR



### BASE MATERIAL:

- 14 Gauge Type Cold Rolled Steel

### HINGE MOUNTING TYPE:

- Swing clear

### FEATURES:

- Handing: Non-Handed
- Maximum Door Width: 48"
- Standard Lengths 6'8" to 7'2", 8' and 10'
- Bevel or Square Edge Door
- Standard Mounting Hardware
- #10 x 1/2" Self Drilling and Tapping Screws
- #10 x 1" Wood Screws

### FINISHES:

- BHMA 600 / Primed for painting

### CERTIFICATION:

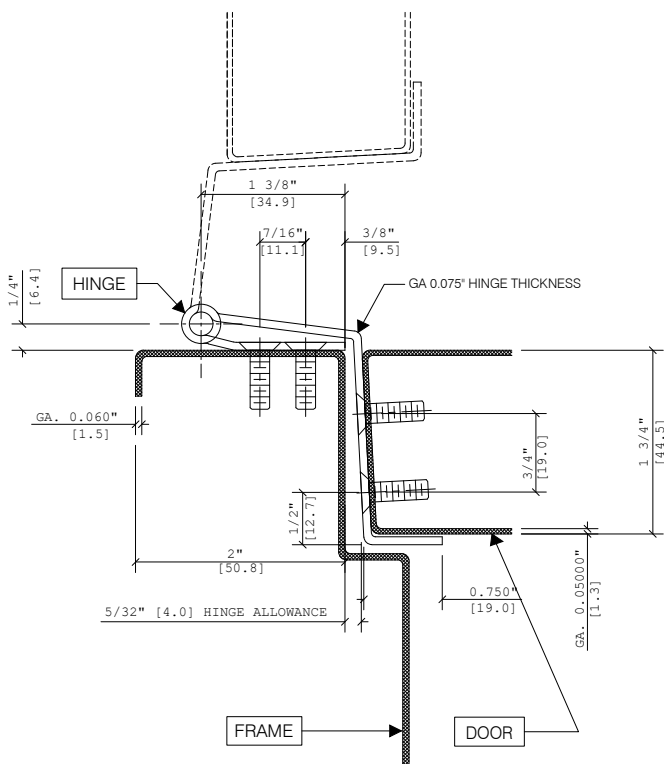
- UL10C Listed - Positive Pressure Fire Test of Door Assemblies for Maximum Hourly Rating up-to & including 3 hr.
- CAN/ULC-S104 Listed - Standard Method for Fire Tests of Door Assemblies
- Conforms to BHMA A156.26 Grade 1 tested on 150lbs door for 2,500,000 cycles

### OPTIONS:

- Custom lengths & other modification available - Please contact factory

### NOTE:

- The hinges may be used for doors weighing up-to 600 lbs with lower frequency of use



## CH947 FULL SURFACE



### BASE MATERIAL:

- 14 Gauge Type Cold Rolled Steel

### HINGE MOUNTING TYPE:

- Full Surface

### FEATURES:

- Handing: Non-Handed
- Maximum Door Width: 48"
- Standard Lengths 6'8" to 7'2", 8' and 10'
- Bevel or Square Edge Door
- Brushed Aluminum leaf cover
- Standard Mounting Hardware
- #10 x 1/2" Self Drilling and Tapping Screws
- #10 x 1" Wood Screws

### FINISHES:

- BHMA 600 / Primed for painting

### CERTIFICATION:

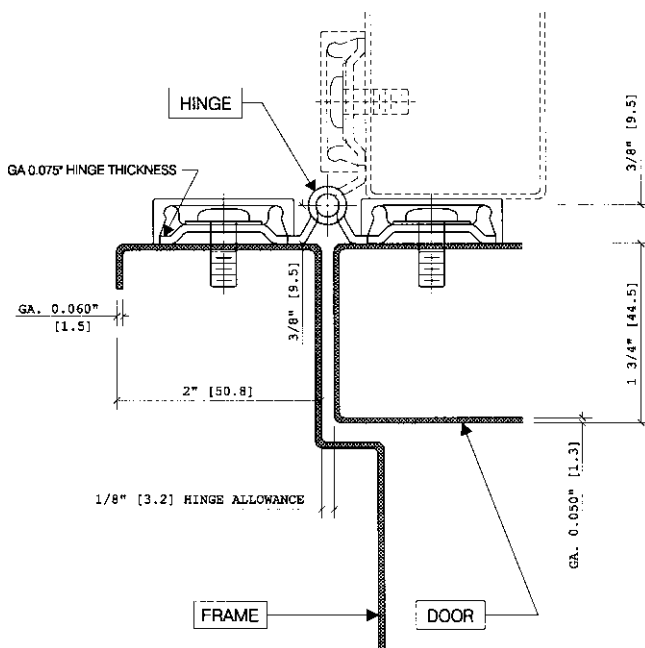
- UL10C Listed - Positive Pressure Fire Test of Door Assemblies for Maximum Hourly Rating up-to & including 3 hr.
- CAN/ULC-S104 Listed - Standard Method for Fire Tests of Door Assemblies
- Conforms to BHMA A156.26 Grade 1 tested on 150lbs door for 2,500,000 cycles

### OPTIONS:

- Custom lengths & other modification available - Please contact factory

### NOTE:

- The hinges may be used for doors weighing up-to 600 lbs with lower frequency of use



## CH951 FULL MORTISE



### BASE MATERIAL:

- 14 Gauge Type 304 Stainless Steel

### HINGE MOUNTING TYPE:

- Full Mortise

### FEATURES:

- Handing: Non-Handed
- 1/8" Inset
- Maximum Door Width: 48"
- Standard Lengths 6'8" to 7'2", 8' and 10'
- Bevel or Square Edge Door
- Standard Mounting Hardware
- #10 x 1/2" Self Drilling and Tapping Screws
- #10 x 1" Wood Screws

### FINISHES:

- BHMA 630 / C32D

### CERTIFICATION:

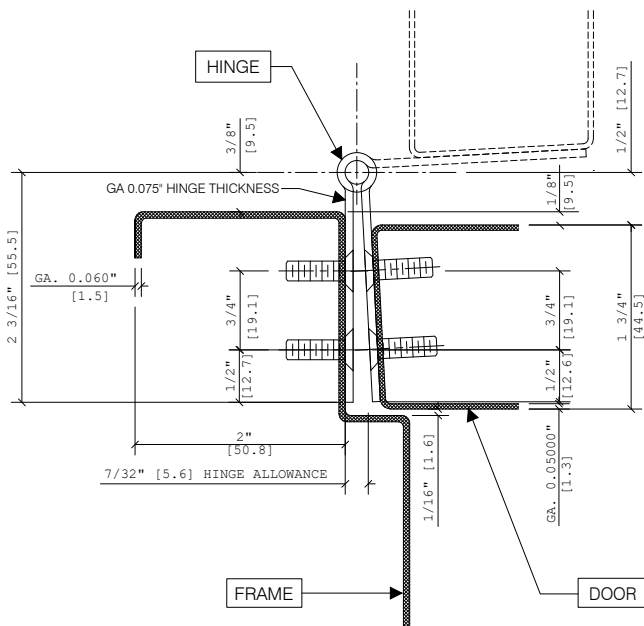
- UL10C Listed - Positive Pressure Fire Test of Door Assemblies for Maximum Hourly Rating up-to & including 3 hr.
- CAN/ULC-S104 Listed - Standard Method for Fire Tests of Door Assemblies
- Certified to BHMA A156.26 Grade 1 tested on 150lbs door for 2,500,000 cycles

### OPTIONS:

- Hospital tip (HT)
- Custom lengths, electrical & other modification available - Please contact factory

### NOTE:

- The hinges may be used for doors weighing up-to 600 lbs with lower frequency of use



engineer drawing  
Shown on beveled Door



## CH952 FULL WRAP EDGE GUARD/MOUNT



### BASE MATERIAL:

- 14 Gauge Type 304 Stainless Steel

### HINGE MOUNTING TYPE:

- Full Wrap Edge Guard / Mount

### FEATURES:

- Handing: Non-Handed
- 1/8" Inset
- Maximum Door Width: 48"
- Standard Lengths 6'8" to 7'2", 8' and 10'
- Bevel or Square Edge Door
- Standard Mounting Hardware
- #10 x 1/2" Self Drilling and Tapping Screws
- #10 x 1" Wood Screws

### FINISHES:

- BHMA 630 / C32D

### CERTIFICATION:

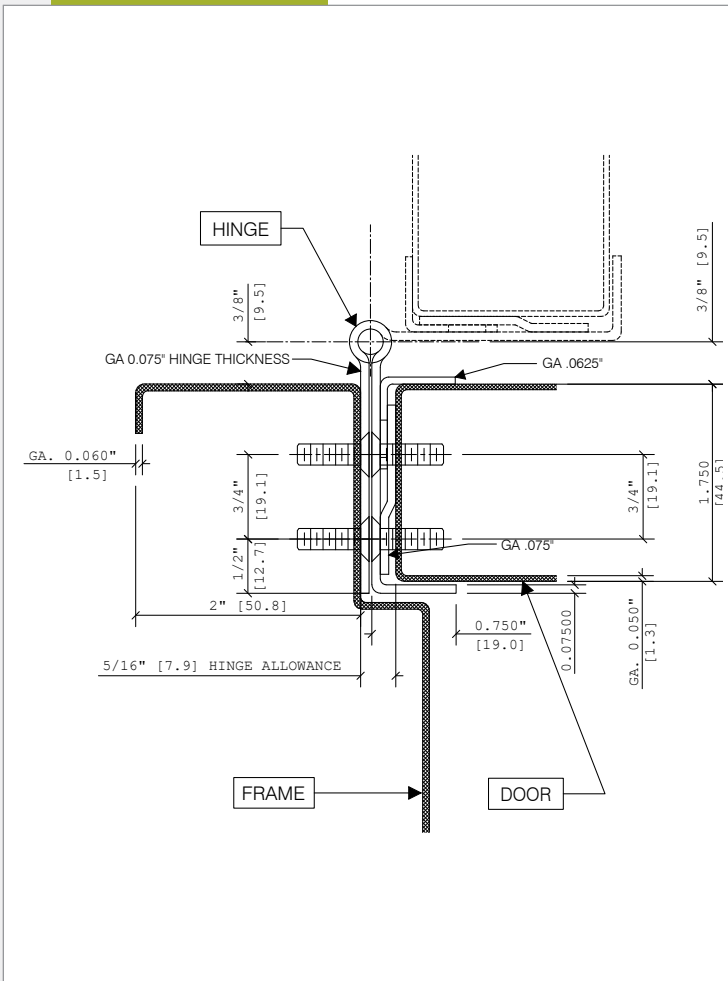
- UL10C Listed - Positive Pressure Fire Test of Door Assemblies for Maximum Hourly Rating up-to & including 3 hr.
- CAN/ULC-S104 Listed - Standard Method for Fire Tests of Door Assemblies
- Certified to BHMA A156.26 Grade 1 tested on 150lbs door for 2,500,000 cycles

### OPTIONS:

- Hospital tip (HT)
- Custom lengths & other modification available - Please contact factory

### NOTE:

- The hinges may be used for doors weighing up-to 600 lbs with lower frequency of use



## CH952E EXT. FULL WRAP EDGE GUARD/MOUNT



### BASE MATERIAL:

- 14 Gauge Type 304 Stainless Steel

### HINGE MOUNTING TYPE:

- Full Wrap Extended Edge Guard / Mount

### FEATURES:

- Handing: Non-Handed
- 1/8" Inset
- Maximum Door Width: 48"
- Standard Lengths 6'8" to 7'2", 8' and 10'
- Bevel or Square Edge Door
- Standard Mounting Hardware
- #10 x 1/2" Self Drilling and Tapping Screws
- #10 x 1" Wood Screws

### FINISHES:

- BHMA 630 / C32D

### CERTIFICATION:

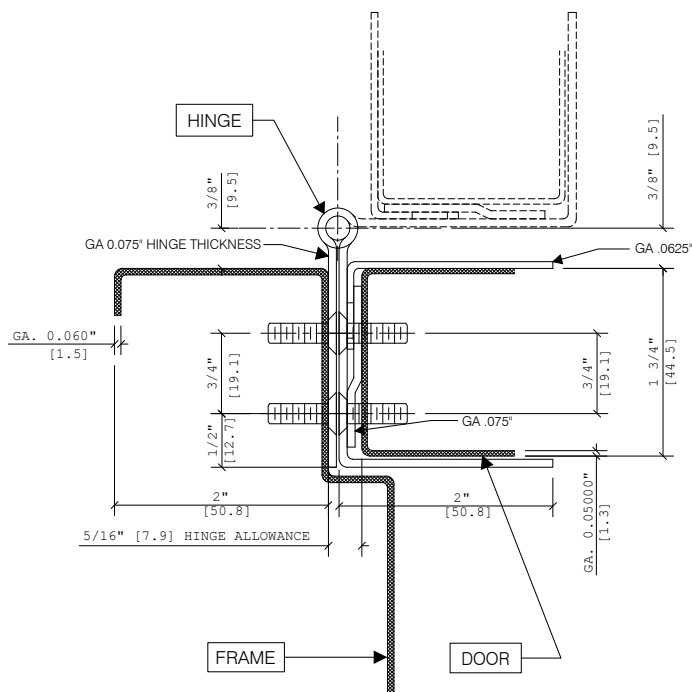
- UL10C Listed - Positive Pressure Fire Test of Door Assemblies for Maximum Hourly Rating up-to & including 3 hr.
- CAN/ULC-S104 Listed - Standard Method for Fire Tests of Door Assemblies
- Certified to BHMA A156.26 Grade 1 tested on 150lbs door for 2,500,000 cycles

### OPTIONS:

- Hospital tip (HT)
- Custom lengths & other modification available - Please contact factory

### NOTE:

- The hinges may be used for doors weighing up-to 600 lbs with lower frequency of use



## CH953 HALF WRAP EDGE GUARD/MOUNT



### BASE MATERIAL:

- 14 Gauge Type 304 Stainless Steel

### HINGE MOUNTING TYPE:

- Half Wrap Edge Guard / Mount

### FEATURES:

- Handing: Non-Handed
- Maximum Door Width: 48"
- Standard Lengths 6'8" to 7'2", 8' and 10'
- Bevel or Square Edge Door
- Standard Mounting Hardware
- #10 x 1/2" Self Drilling and Tapping Screws
- #10 x 1" Wood Screws

### FINISHES:

- BHMA 630 / C32D

### CERTIFICATION:

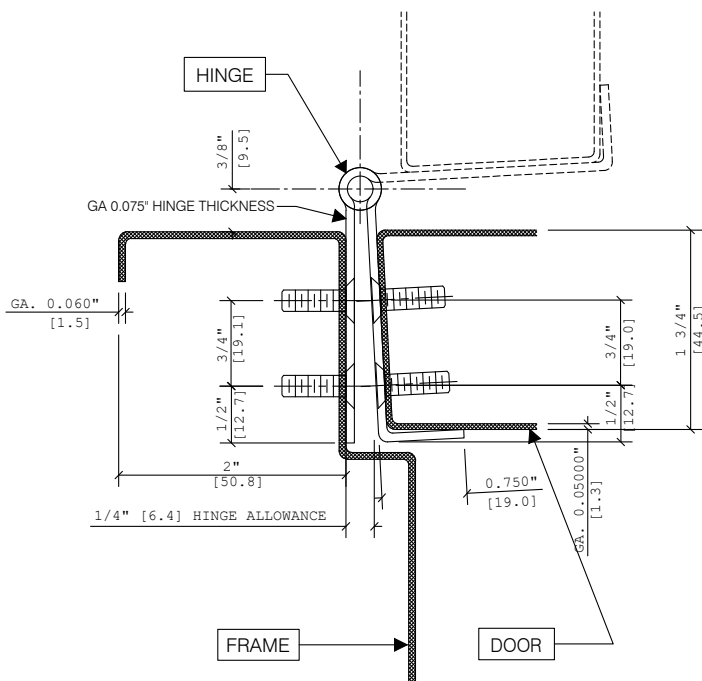
- UL10C Listed - Positive Pressure Fire Test of Door Assemblies for Maximum Hourly Rating up-to & including 3 hr.
- CAN/ULC-S104 Listed - Standard Method for Fire Tests of Door Assemblies
- Certified to BHMA A156.26 Grade 1 tested on 150lbs door for 2,500,000 cycles

### OPTIONS:

- Hospital tip (HT)
- Custom lengths, electrical & other modification available - Please contact factory

### NOTE:

- The hinges may be used for doors weighing up-to 600 lbs with lower frequency of use



## CH954 HALF MORTISE



### BASE MATERIAL:

- 14 Gauge Type 304 Stainless Steel

### HINGE MOUNTING TYPE:

- Half Mortise

### FEATURES:

- Handing: Non-Handed
- Maximum Door Width: 48"
- Standard Lengths 6'8" to 7'2", 8' and 10'
- Bevel or Square Edge Door
- Brushed Aluminum leaf cover
- Standard Mounting Hardware
- #10 x 1/2" Self Drilling and Tapping Screws
- #10 x 1" Wood Screws

### FINISHES:

- BHMA 630 / C32D

### CERTIFICATION:

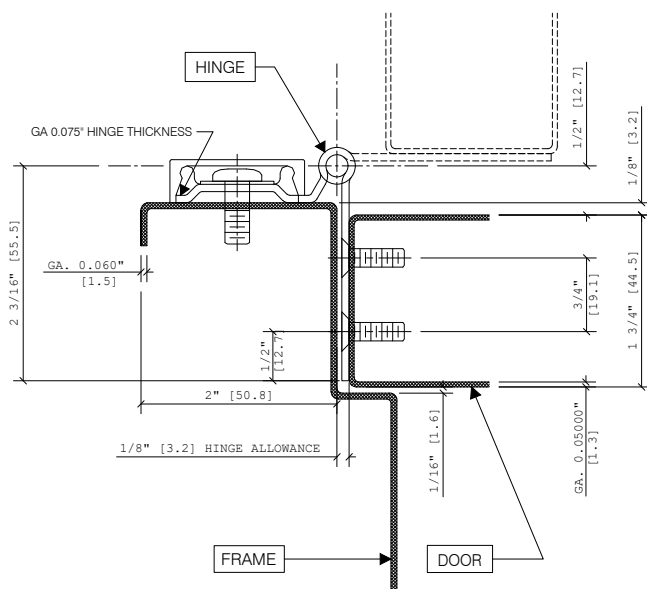
- UL10C Listed - Positive Pressure Fire Test of Door Assemblies for Maximum Hourly Rating up-to & including 3 hr.
- CAN/ULC-S104 Listed - Standard Method for Fire Tests of Door Assemblies
- Certified to BHMA A156.26 Grade 1 tested on 150lbs door for 2,500,000 cycles

### OPTIONS:

- Hospital tip (HT)
- Custom lengths, electrical & other modification available - Please contact factory

### NOTE:

- The hinges may be used for doors weighing up-to 600 lbs with lower frequency of use



## CH955 HALF MORTISE WITH GUARD



### BASE MATERIAL:

- 14 Gauge Type 304 Stainless Steel

### HINGE MOUNTING TYPE:

- Half Mortise with guard

### FEATURES:

- Handing: Non-Handed
- Maximum Door Width: 48"
- Standard Lengths 6'8" to 7'2", 8' and 10'
- Bevel or Square Edge Door
- Brushed Aluminum leaf cover
- Standard Mounting Hardware
- #10 x 1/2" Self Drilling and Tapping Screws
- #10 x 1" Wood Screws

### FINISHES:

- BHMA 630 / C32D

### CERTIFICATION:

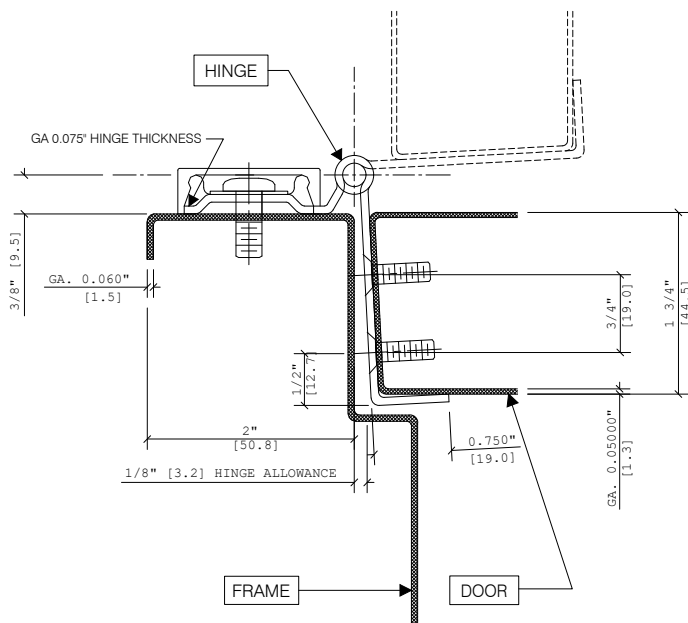
- UL10C Listed - Positive Pressure Fire Test of Door Assemblies for Maximum Hourly Rating up-to & including 3 hr.
- CAN/ULC-S104 Listed - Standard Method for Fire Tests of Door Assemblies
- Certified to BHMA A156.26 Grade 1 tested on 150lbs door for 2,500,000 cycles

### OPTIONS:

- Hospital tip (HT)
- Custom lengths, electrical & other modification available - Please contact factory

### NOTE:

- The hinges may be used for doors weighing up-to 600 lbs with lower frequency of use



## CH956 SWING CLEAR



### BASE MATERIAL:

- 14 Gauge Type 304 Stainless Steel

### HINGE MOUNTING TYPE:

- Swing Clear

### FEATURES:

- Handing: Non-Handed
- Maximum Door Width: 48"
- Standard Lengths 6'8" to 7'2", 8' and 10'
- Bevel or Square Edge Door
- Standard Mounting Hardware
- #10 x 1/2" Self Drilling and Tapping Screws
- #10 x 1" Wood Screws

### FINISHES:

- BHMA 630 / C32D

### CERTIFICATION:

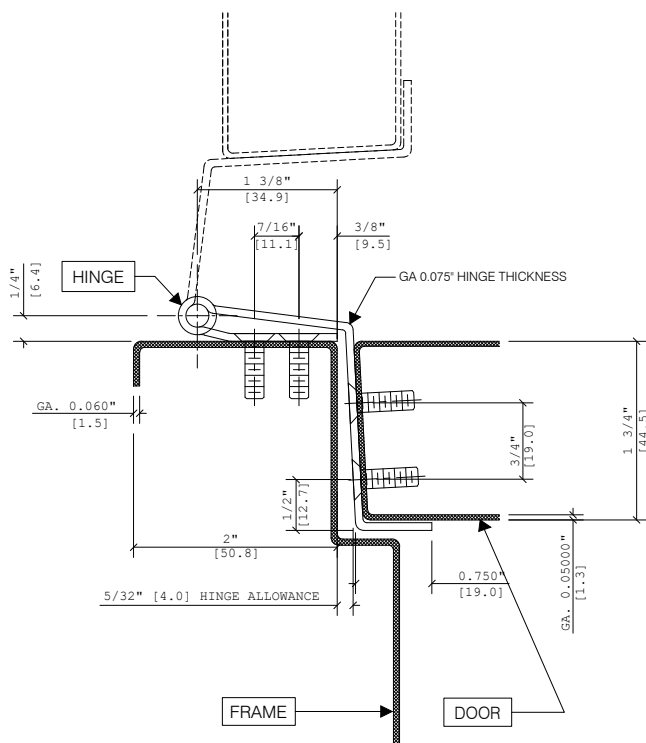
- UL10C Listed - Positive Pressure Fire Test of Door Assemblies for Maximum Hourly Rating up-to & including 3 hr.
- CAN/ULC-S104 Listed - Standard Method for Fire Tests of Door Assemblies
- Certified to BHMA A156.26 Grade 1 tested on 150lbs door for 2,500,000 cycles

### OPTIONS:

- Hospital tip (HT)
- Custom lengths & other modification available - Please contact factory

### NOTE:

- The hinges may be used for doors weighing up-to 600 lbs with lower frequency of use



## CH957 FULL SURFACE



### BASE MATERIAL:

- 14 Gauge Type 304 Stainless Steel

### HINGE MOUNTING TYPE:

- Full Surface

### FEATURES:

- Handing: Non-Handed
- Maximum Door Width: 48"
- Standard Lengths 6'8" to 7'2", 8' and 10'
- Bevel or Square Edge Door
- Brushed Aluminum leaf cover
- Standard Mounting Hardware
- #10 x 1/2" Self Drilling and Tapping Screws
- #10 x 1" Wood Screws

### FINISHES:

- BHMA 630 / C32D

### CERTIFICATION:

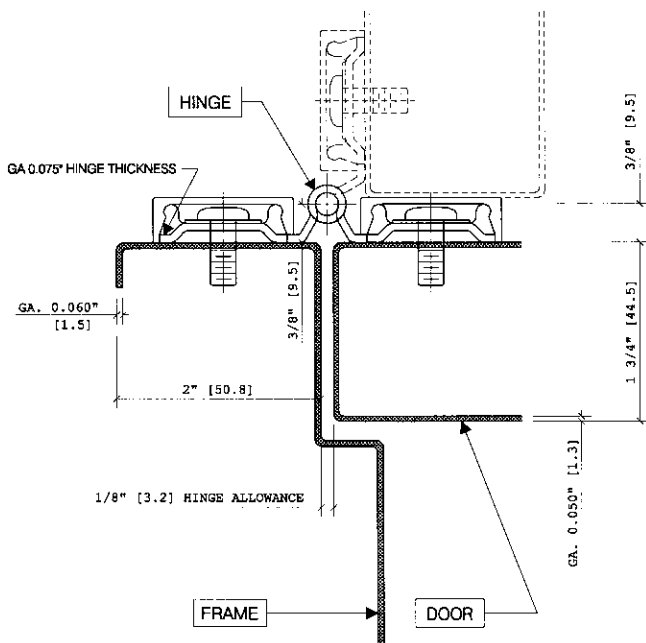
- UL10C Listed - Positive Pressure Fire Test of Door Assemblies for Maximum Hourly Rating up-to & including 3 hr.
- CAN/ULC-S104 Listed - Standard Method for Fire Tests of Door Assemblies
- Certified to BHMA A156.26 Grade 1 tested on 150lbs door for 2,500,000 cycles

### OPTIONS:

- Hospital tip (HT)
- Custom lengths & other modification available - Please contact factory

### NOTE:

- The hinges may be used for doors weighing up-to 600 lbs with lower frequency of use



## GSH HD112 ALUM. GEARED HINGE



### BASE MATERIAL:

- Aluminum alloy

### MOUNTING TYPE:

- Geared Hinge

### FEATURES:

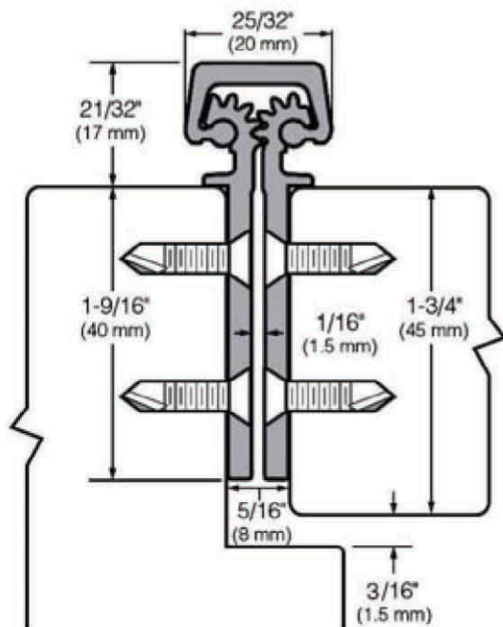
- Aluminum alloy with self-lubricating bearings
- 83" & 95" lengths available in clear and dark bronze anodized
- Hinges are shorter than the Door height to avoid threshold or carpet Clearance problems
- Clearance required between the hinge edge of the Door and the Frame is 5/16" (7.9mm) minimum for square edge Door; For beveled Doors add 1/32" (0.8mm)
- Maximum Door width: 48" for 1-3/4" Doors

### CERTIFICATION:

- UL10C Listed - Positive Pressure Fire Test of Door Assemblies for Maximum Hourly Rating up-to & including 90 minutes.
- CAN/ULC-S104 Listed - Standard Method for Fire Tests of Door Assemblies

### NOTE:

- The hinges can be used with any Standard Frame without hinge preps
- The hinges may be used on doors up-to 200 pounds on high frequency and 400 pounds for medium frequency doors



## GSH HD157 FULL SURFACE ALUM. GEARED HINGE



### BASE MATERIAL:

- Aluminum alloy

### MOUNTING TYPE:

- Continuous Geared Full Surface Hinge

### FEATURES:

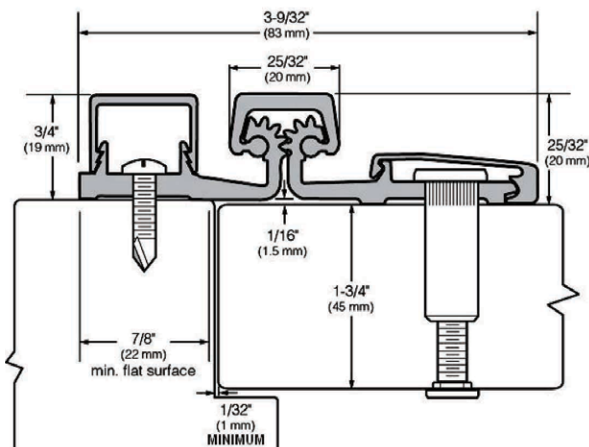
- Aluminum alloy with self-lubricating bearings
- 1/16" (1.6mm) inset ideal for retrofit applications where original hinges have failed
- The frame face must have a Flat surface at least 7/8" (22mm) wide
- 83" length available in clear and dark bronze anodized
- Hinges are shorter than the door height to avoid threshold or carpet clearance problems
- Clearance required between the hinge edge of the Door and the Frame must be 1/32" (0.8mm)
- Maximum Door width: 48" for 1-3/4" Doors

### CERTIFICATION:

- UL10C Listed - Positive Pressure Fire Test of Door Assemblies for Maximum Hourly Rating up-to & including 90 minutes.
- CAN/ULC-S104 Listed - Standard Method for Fire Tests of Door Assemblies

### NOTE:

- The hinges can be used with any Standard Frame without hinge preps
- The hinges may be used on doors up-to 200 pounds on high frequency and 400 pounds for medium frequency doors



## GSH HD210 FULL SURFACE ALUM. GEARED HINGE



### BASE MATERIAL:

- Aluminum alloy

### MOUNTING TYPE:

- Continuous Geared Full Surface Swing Clear Hinge

### FEATURES:

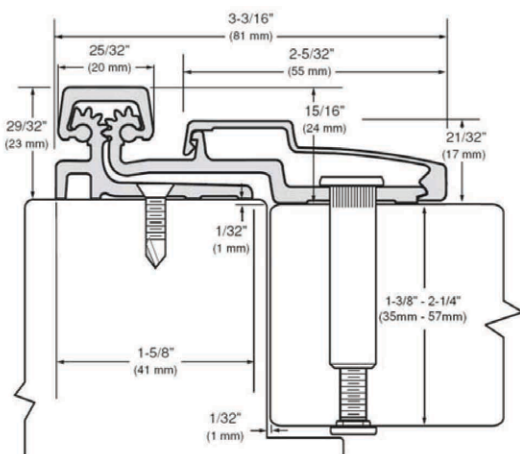
- Aluminum alloy with self-lubricating bearings
- 1/32" (0.8mm) inset ideal for retrofit applications where original hinges have failed
- Can be used with any Standard Frame Without hinge preps
- The Frame face must have a Flat surface at least 1-5/8" (41mm) wide
- 83" length available in clear and dark bronze anodized
- Hinges are shorter than the Door height to avoid threshold or carpet Clearance problems
- Clearance required between the hinge edge of the Door and the Frame must be 1/32" (0.8mm)
- Maximum Door width: 48" for 1-3/4" Doors

### CERTIFICATION:

- UL10C Listed - Positive Pressure Fire Test of Door Assemblies for Maximum Hourly Rating up-to & including 90 minutes.
- CAN/ULC-S104 Listed - Standard Method for Fire Tests of Door Assemblies

### NOTE:

- The hinges can be used with any Standard Frame without hinge preps
- The hinges may be used on doors up-to 200 pounds on high frequency and 400 pounds for medium frequency doors



## DOUBLE ACTING CONTINUOUS HINGE



### BASE MATERIAL:

- 14 Gauge Type 304 Stainless Steel

### HINGE MOUNTING TYPE:

- Double Acting Continuous

### FEATURES:

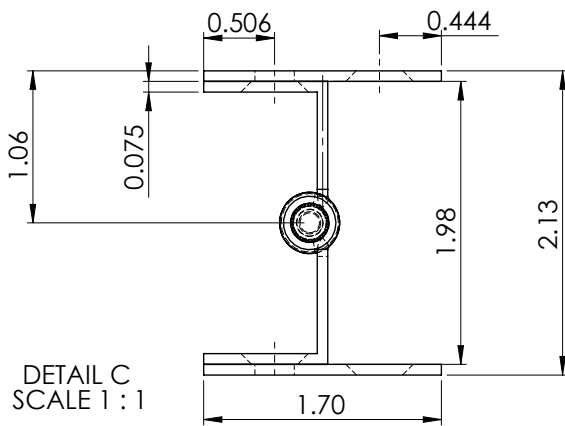
- Handing: Non-Handed
- Maximum Door Width: 48"
- Standard Lengths 6'8" to 7'2", 8' and 10'
- Eliminate the need for pivot

### FINISHES:

- BHMA 630 / C32D

### NOTE:

- The hinges can be used in combination with Model LL299 Keyed  
– Rescue Hardware offered by Gallery



## MODEL LL299 KEYED – RESCUE HARDWARE

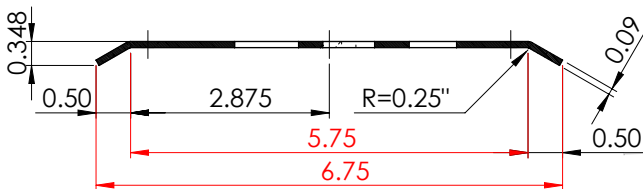


### FEATURES:

- Keyed alike or keyed different
- Finishes: BHMA 630/C32D
- Non handed
- Strike can be made to suit any jamb depth
- Used to control unauthorized use of emergency release

### NOTE:

- Rescue hardware, LL299 Keyed can be used in combination with Double Acting Continuous Hinges offered by Gallery



## CH943 HALF WRAP EDGE GUARD/MOUNT



### BASE MATERIAL:

- 14 Gauge Type Cold Rolled Steel

### HINGE MOUNTING TYPE:

- Half Wrap Edge Guard / Mount

### FEATURES:

- Handing: Non-Handed
- Maximum Door Width: 48"
- Standard Lengths 6'8" to 7'2", 8' and 10'
- Bevel or Square Edge Door
- Standard Mounting Hardware
- #10 x 1/2" Self Drilling and Tapping Screws
- #10 x 1" Wood Screws

### FINISHES:

- BHMA 600 / USP

### CERTIFICATION:

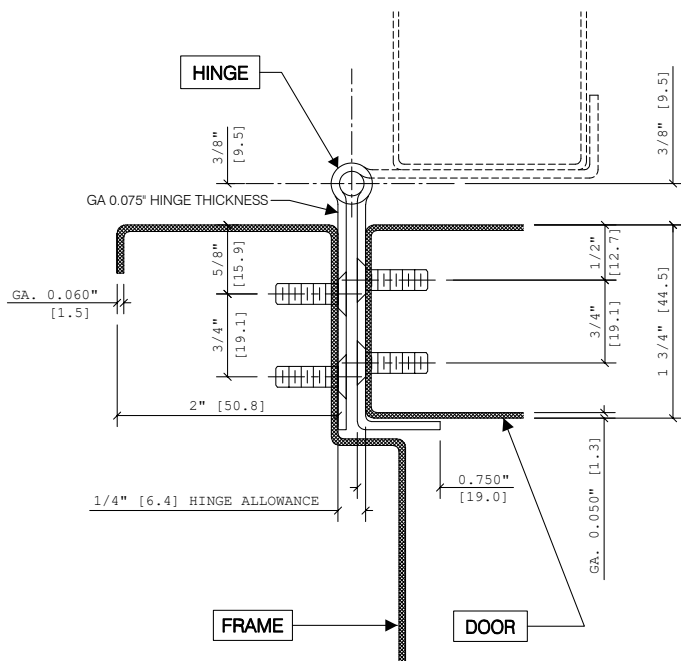
- UL10C Listed - Positive Pressure Fire Test of Door Assemblies for Maximum Hourly Rating up-to & including 3 hr.
- CAN/ULC-S104 Listed - Standard Method for Fire Tests of Door Assemblies
- Conforms to BHMA A156.26 Grade 1 tested on 150lbs door for 2,500,000 cycles

### OPTIONS:

- Custom lengths, electrical & other modification available - Please contact factory

### NOTE:

- The hinges may be used for doors weighing up-to 600 lbs with lower frequency of use



## CH951HD FULL MORTISE



### BASE MATERIAL:

- 12 Gauge Type 304 Stainless Steel - Heavy Duty

### HINGE MOUNTING TYPE:

- Full Mortise

### FEATURES:

- Handing: Non-Handed
- 1/8" Inset
- Maximum Door Width: 48"
- Standard Lengths 6'8" to 7'2", 8' and 10'
- Bevel or Square Edge Door
- Standard Mounting Hardware
- #10 x 1/2" Self Drilling and Tapping Screws
- #10 x 1" Wood Screws

### FINISHES:

- BHMA 630 / C32D

### CERTIFICATION:

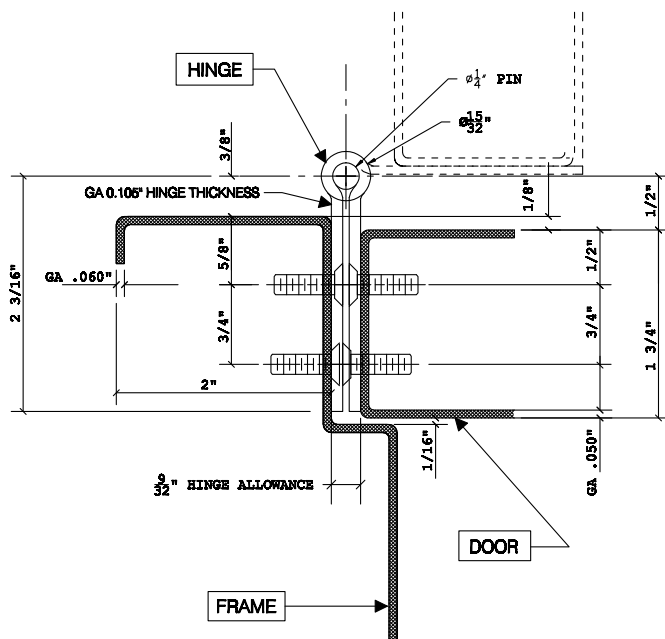
- UL10C Listed - Positive Pressure Fire Test of Door Assemblies for Maximum Hourly Rating up-to & including 3 hr.
- CAN/ULC-S104 Listed - Standard Method for Fire Tests of Door Assemblies
- Certified to BHMA A156.26 Grade 1 tested on 150lbs door for 2,500,000 cycles

### OPTIONS:

- Hospital tip (HT)
- Custom lengths, electrical & other modification available - Please contact factory

### NOTE:

- The hinges may be used for doors weighing up-to 600 lbs with lower frequency of use



## CH952HD FULL WRAP EDGE GUARD/MOUNT



### BASE MATERIAL:

- 12 Gauge Type 304 Stainless Steel – Heavy Duty

### HINGE MOUNTING TYPE:

- Full Wrap Edge Guard / Mount

### FEATURES:

- Handing: Non-Handed
- 1/8" Inset
- Maximum Door Width: 48"
- Standard Lengths 6'8" to 7'2", 8' and 10'
- Bevel or Square Edge Door
- Standard Mounting Hardware
- #10 x 1/2" Self Drilling and Tapping Screws
- #10 x 1" Wood Screws

### FINISHES:

- BHMA 630 / C32D

### CERTIFICATION:

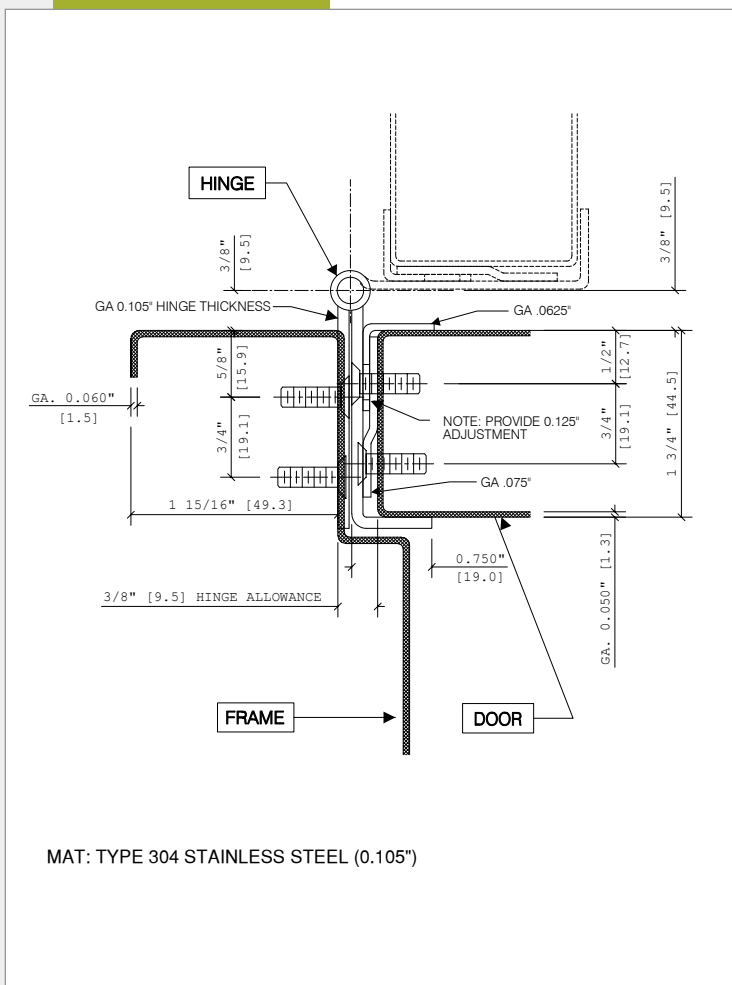
- UL10C Listed - Positive Pressure Fire Test of Door Assemblies for Maximum Hourly Rating up-to & including 3 hr.
- CAN/ULC-S104 Listed - Standard Method for Fire Tests of Door Assemblies
- Certified to BHMA A156.26 Grade 1 tested on 150lbs door for 2,500,000 cycles

### OPTIONS:

- Hospital tip (HT)
- Custom lengths & other modification available - Please contact factory

### NOTE:

- The hinges may be used for doors weighing up-to 600 lbs with lower frequency of use



## CH953HD HALF WRAP EDGE GUARD/MOUNT



### BASE MATERIAL:

- 12 Gauge Type 304 Stainless Steel - Heavy Duty

### HINGE MOUNTING TYPE:

- Half Wrap Edge Guard / Mount

### FEATURES:

- Handing: Non-Handed
- Maximum Door Width: 48"
- Standard Lengths 6'8" to 7'2", 8' and 10'
- Bevel or Square Edge Door
- Standard Mounting Hardware
- #10 x 1/2" Self Drilling and Tapping Screws
- #10 x 1" Wood Screws

### FINISHES:

- BHMA 630 / C32D

### CERTIFICATION:

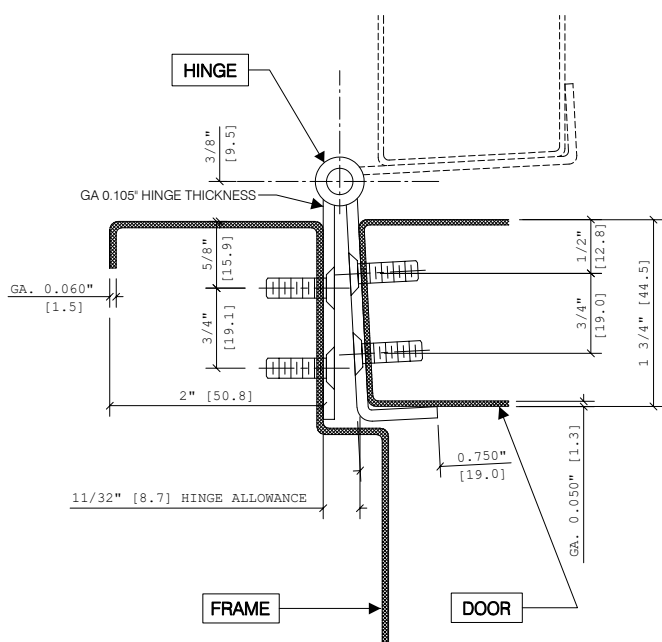
- UL10C Listed - Positive Pressure Fire Test of Door Assemblies for Maximum Hourly Rating up-to & including 3 hr.
- CAN/ULC-S104 Listed - Standard Method for Fire Tests of Door Assemblies
- Certified to BHMA A156.26 Grade 1 tested on 150lbs door for 2,500,000 cycles

### OPTIONS:

- Hospital tip (HT)
- Custom lengths, electrical & other modification available - Please contact factory

### NOTE:

- The hinges may be used for doors weighing up-to 600 lbs with lower frequency of use





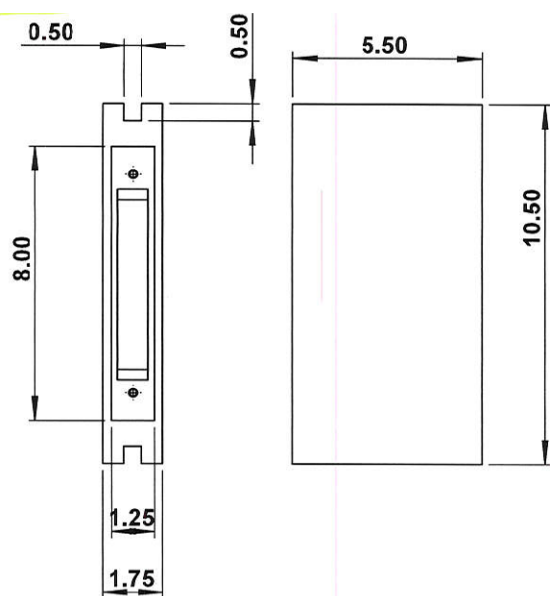
# Section H

## MORTISE PATCH LOCKS

## GSH 04 STOREROOM PATCH LOCK



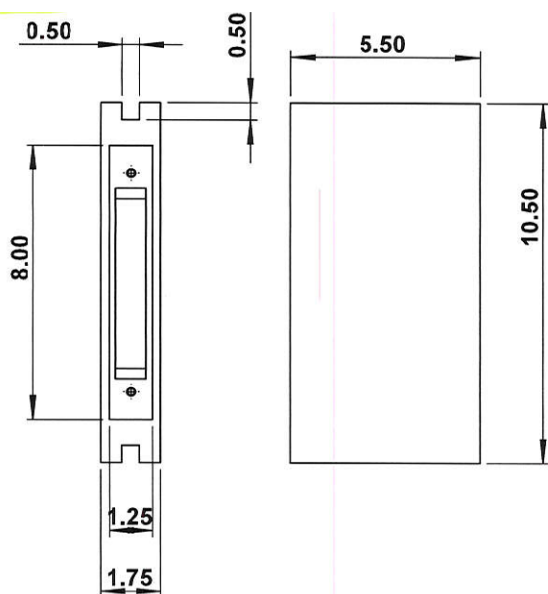
- Guard bolt Dead Locks latch bolt
- Latch bolt by lever inside or key outside
- Outside lever rigid at all times



## GSH 05 OFFICE PATCH LOCK



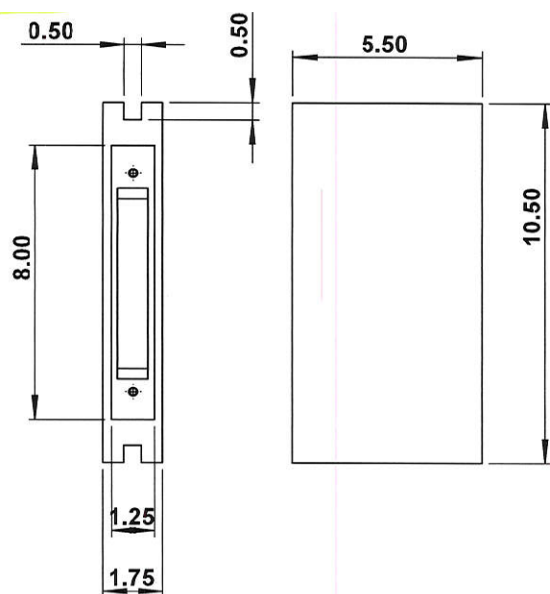
- Guard bolt Dead Locks latch bolt
- Latch bolt by either lever unless outside lever is Locked by toggle in Lock front (Not Shown)
- Key outside retracts latch bolt when outside lever is Locked



## GSH 15 PASSAGE PATCH LOCK



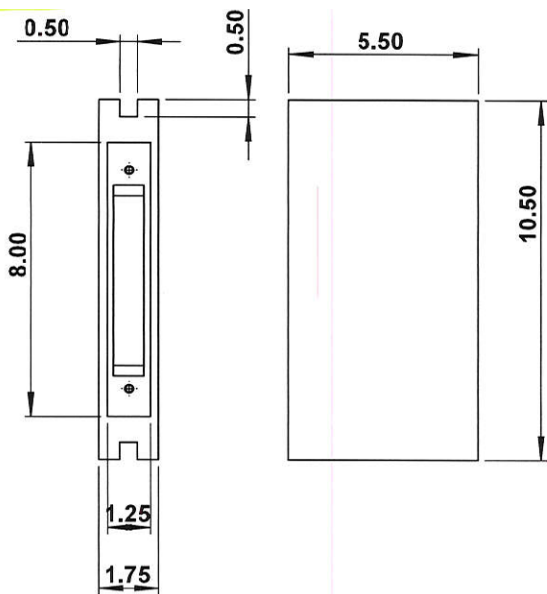
- Latch bolt by either lever



## GSH 37 CLASSROOM PATCH LOCK



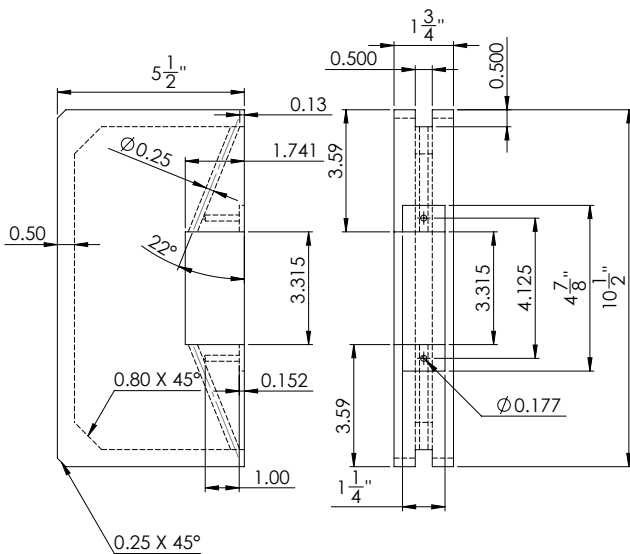
- Guard bolt Dead Locks latch bolt
- Latch bolt by either lever unless outside lever is Locked by key outside
- Key outside Locks or unLocks outside lever
- InSide lever always operative



## ELECTRIFIED STRIKE PATCH



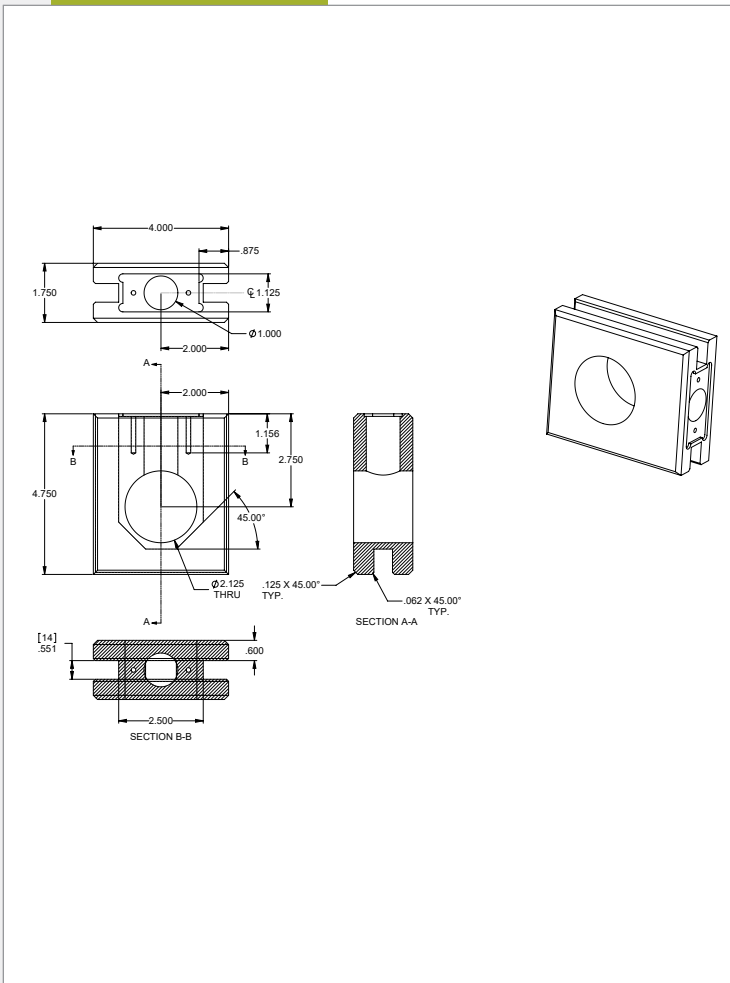
- Strike Patch complete with electric strike
- For use on pairs of Doors as part of an access Control system upper and lower 1/2" X 1/2" I.D. 1/2" channels supplied to conceal wiring



## PATCH FITTING FOR CYLINDRICAL DEADBOLT



- Fits Standard Deadbolt with 2 1/8" prep



# HOW TO ORDER

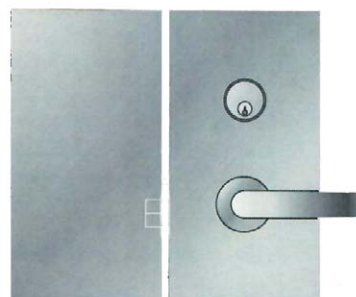
<b>FUNCTIONS</b>
<b>04 STOREROOM</b> <ul style="list-style-type: none"> <li>• Guard bolt deadlocks latch bolt.</li> <li>• Latch bolt retracted by lever inside or key outside.</li> </ul>
<b>05 OFFICE</b> <ul style="list-style-type: none"> <li>• Guard bolt deadlocks latch bolt.</li> <li>• Latch bolt retracted by either lever unless outside lever is locked by toggle in lock front.</li> <li>• Key outside retracts latch bolt when outside lever is locked.</li> </ul>
<b>15 PASSAGE</b> <ul style="list-style-type: none"> <li>• Latch bolt retracted by either lever.</li> </ul>
<b>37 CLASSROOM</b> <ul style="list-style-type: none"> <li>• Guard bolt deadlocks latch bolt.</li> <li>• Latch bolt retracted by either lever unless outside lever is locked by key outside.</li> <li>• Key outside locks or unlocks outside lever.</li> <li>• Inside lever always operative.</li> </ul>

- Precision machined one piece housing, clad with 18 gauge BRASS, BRONZE OR STAINLESS STEEL
- Deigned to fit Standard 12 mm (1/2") glass Doors, prepared with rectangular cut-out, as per template.
- Incorporates as ANSI Grade 1 Mortise Lock
- Mortise Lock will accept most other manufacturers 1 1/8" cylinder

## OTHER FUNCTIONS AVAILABLE ON REQUEST

<b>PAIR OF DOORS</b>		<b>STRIKE PATCH MUST BE SPECIFIED SEPARATELY</b>
WL	STRIKE PATCH WITH LEVERS	<ul style="list-style-type: none"> <li>• Rigid lever both sides of inactive door</li> <li>• Strike for locking door built in.</li> </ul>
NL	STRIKE PATCH NO LEVERS	<ul style="list-style-type: none"> <li>• No levers for inactive door.</li> <li>• Strike for locking door built in.</li> </ul>
ES	STRIKE PATCH WITH ELECTRIC STRIKE	<ul style="list-style-type: none"> <li>• Strike Patch complete with electric strike.</li> </ul>

<b>HOW TO ORDER</b>	
SERIES	P200
Function	37
Strike Patch	NL
Lever	J
Hand	RH
Finish	C32D
<b>EXAMPLE: P237- NL -J-RH-C32D</b>	



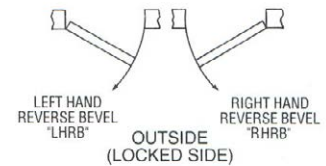
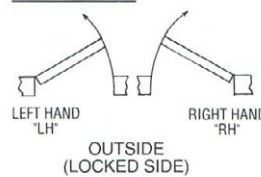
# HOW TO ORDER

HOW TO ORDER	
SERIES	S100
Function	O5
Strike Patch	N/A
Lever	B
Hand	RH
Finish	C4
<b>EXAMPLE: S105-B-RH-C4</b>	

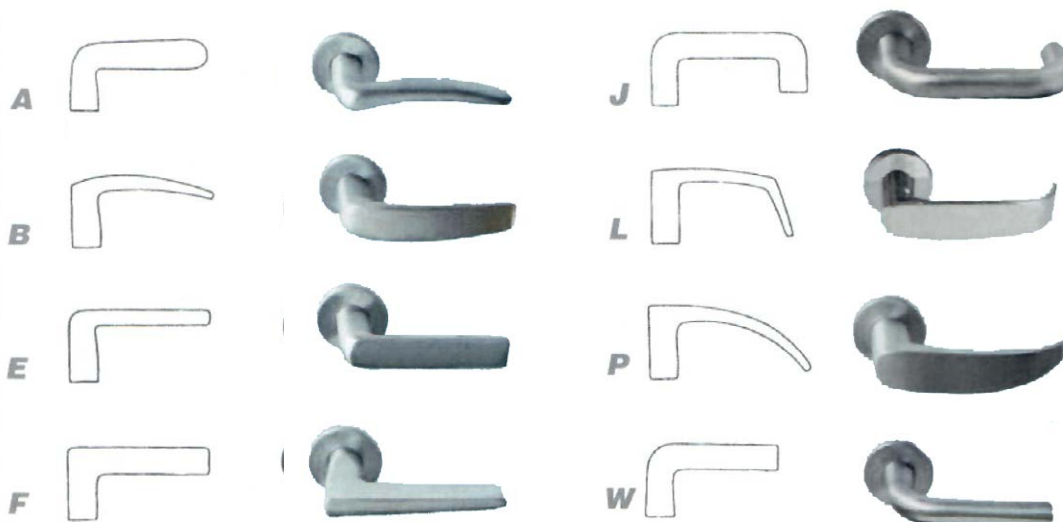


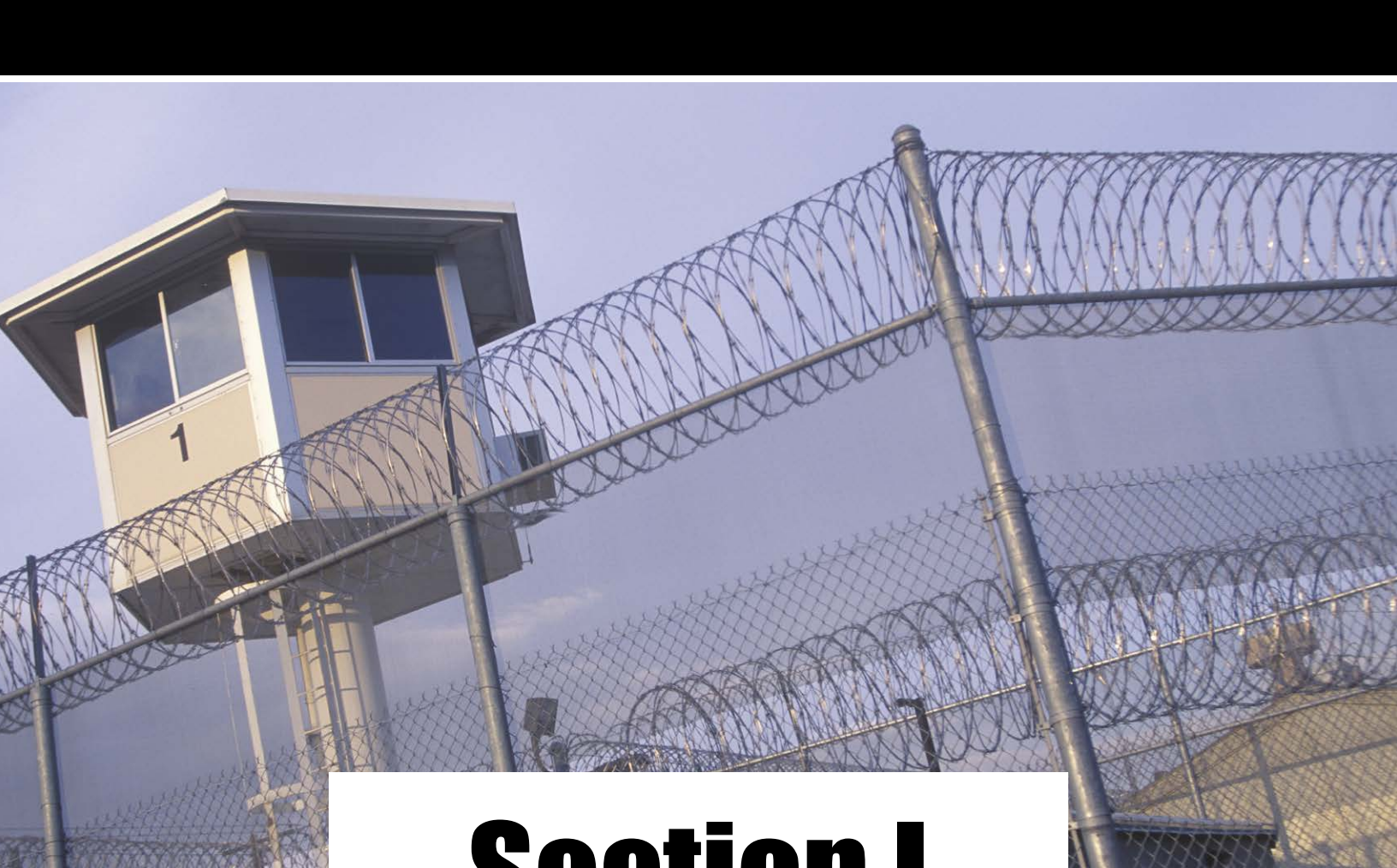
HANDING	
LEFT HAND	LH
RIGHT HAND	RH
LEFT HAND REVERSE BEVEL	LHRB
RIGHT HAND REVERSE BEVEL	RHRB

### HANDING



FINISHES	
C3	POLISHED BRASS
C4	SATIN BRASS
C10	SATIN BRONZE
C10B	OXIDIZED OIL RUBBED BRONZE
C32	POLISHED STAINLESS STEEL
C32D	SATIN STAINLESS STEEL
OTHER FINISHES AVAILABLE ON REQUEST	





# Section I

**ABUSE RESISTANT**

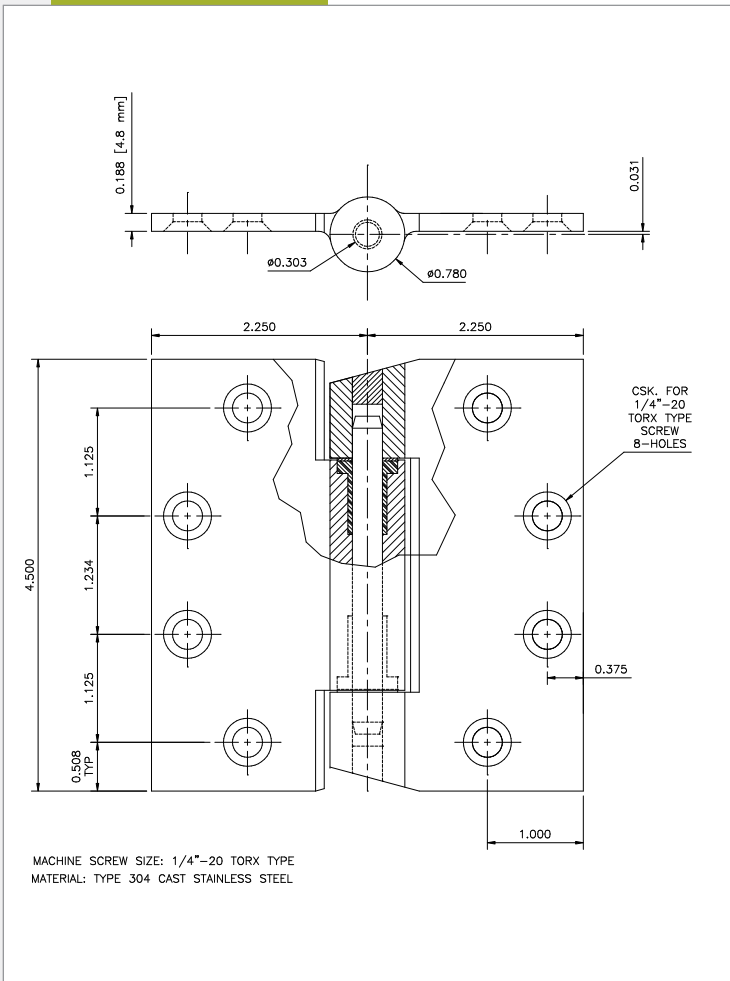
**Gallery™**  
specialty hardware



## GSH 919 BUTT HINGE

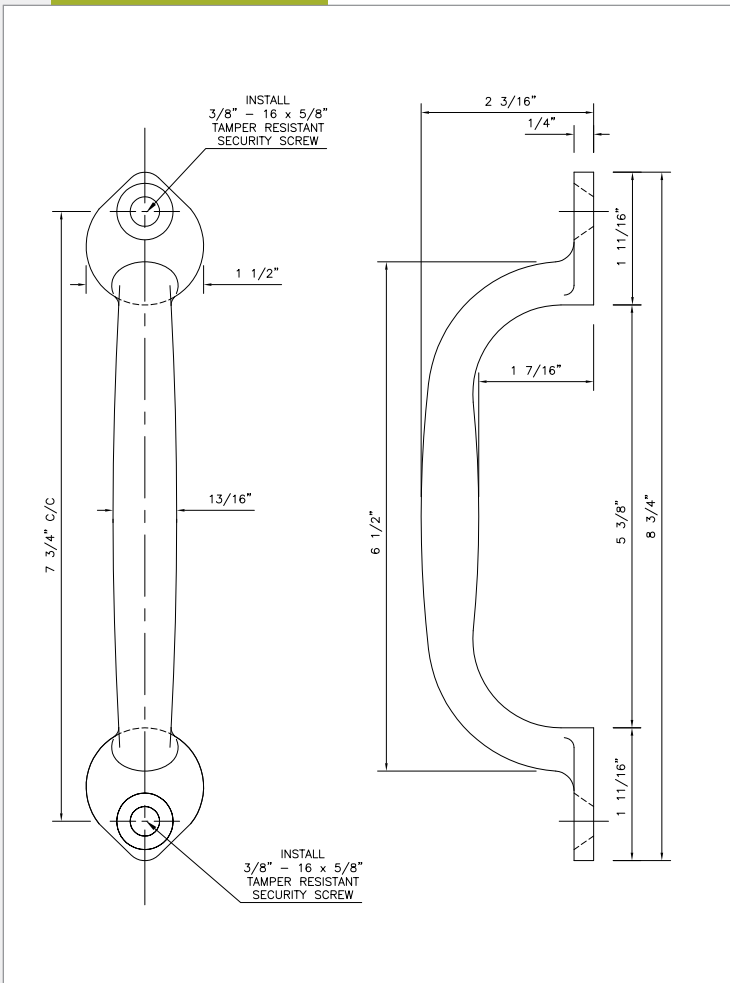


- Cast
- Full Mortise butt hinges with shear resistant stud and sloped tips
- 32D



## GSH 920 SURFACE PULL

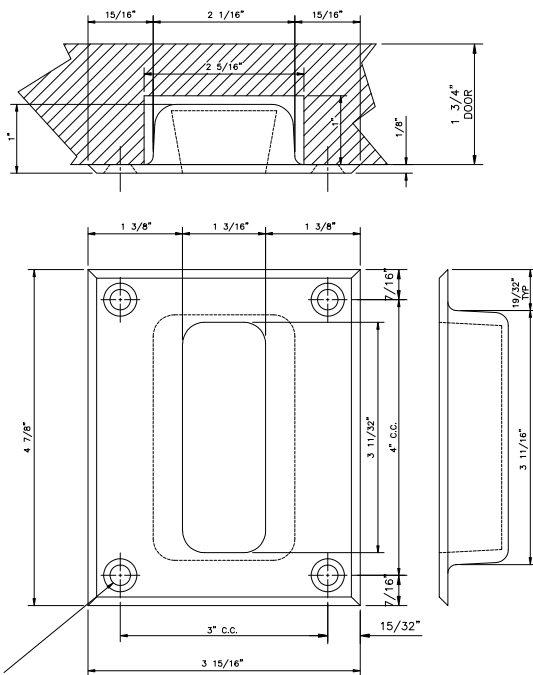
- Cast
- Surface Pull
- 32D



## GSH 921 FLUSH PULL



- Cast
- Flush Pull
- 32D





Your Partner In Success

**Gallery Specialty Hardware Ltd.**

676 Petrolia Road, Toronto, ON, Canada M3J 2V2

Tel: 416.667.9593 Fax: 416.667.0806 Toll Free: 1.800.267.1236

Email: [info@galleryspecialty.com](mailto:info@galleryspecialty.com) [www.galleryspecialty.com](http://www.galleryspecialty.com)

All Product specifications are subject to change. For the most updated Product features, contact our Customer service department toll free at 1(800)267-1236.