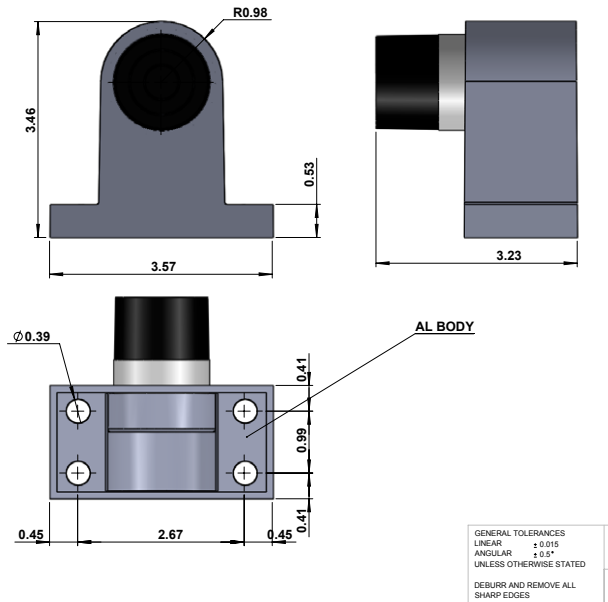


GSH 211



GallerySpecialty.com
1.800.267.1236



- Spring loaded floor stop that provides 3 degrees of door cushion
- Cushioning effect relieves stress on other door components
- 32D finish
- Ideal for high traffic areas as well as educational institutes
- Fasteners included

676 Petrolia Road, Toronto, ON, Canada M3J 2V2
 Tel: 416.667.9593 Fax: 416.667.0806
 Email: info@galleryspecialty.com

All product specifications are subject to change. For the most updated product features, contact our customer service department Toll Free at 1.800.267.1236

©2019 Gallery Specialty Hardware Ltd.