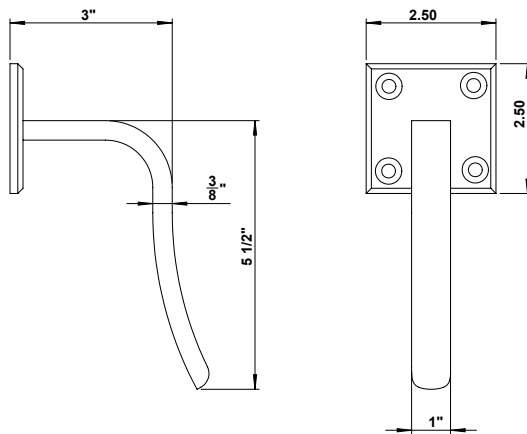


GSH 2300H HOSPITAL PULL C/W SQUARE BACK PLATE



GallerySpecialty.com
1.800.267.1236



- Brass and Stainless Steel
- Fasteners provided
- C3, C4, C14, C26, C26D and C32D

676 Petrolia Road, Toronto, ON, Canada M3J 2V2
Tel: 416.667.9593 Fax: 416.667.0806
Email: info@galleryspecialty.com

All product specifications are subject to change. For the most updated product features, contact our customer service department Toll Free at 1.800.267.1236

©2019 Gallery Specialty Hardware Ltd.